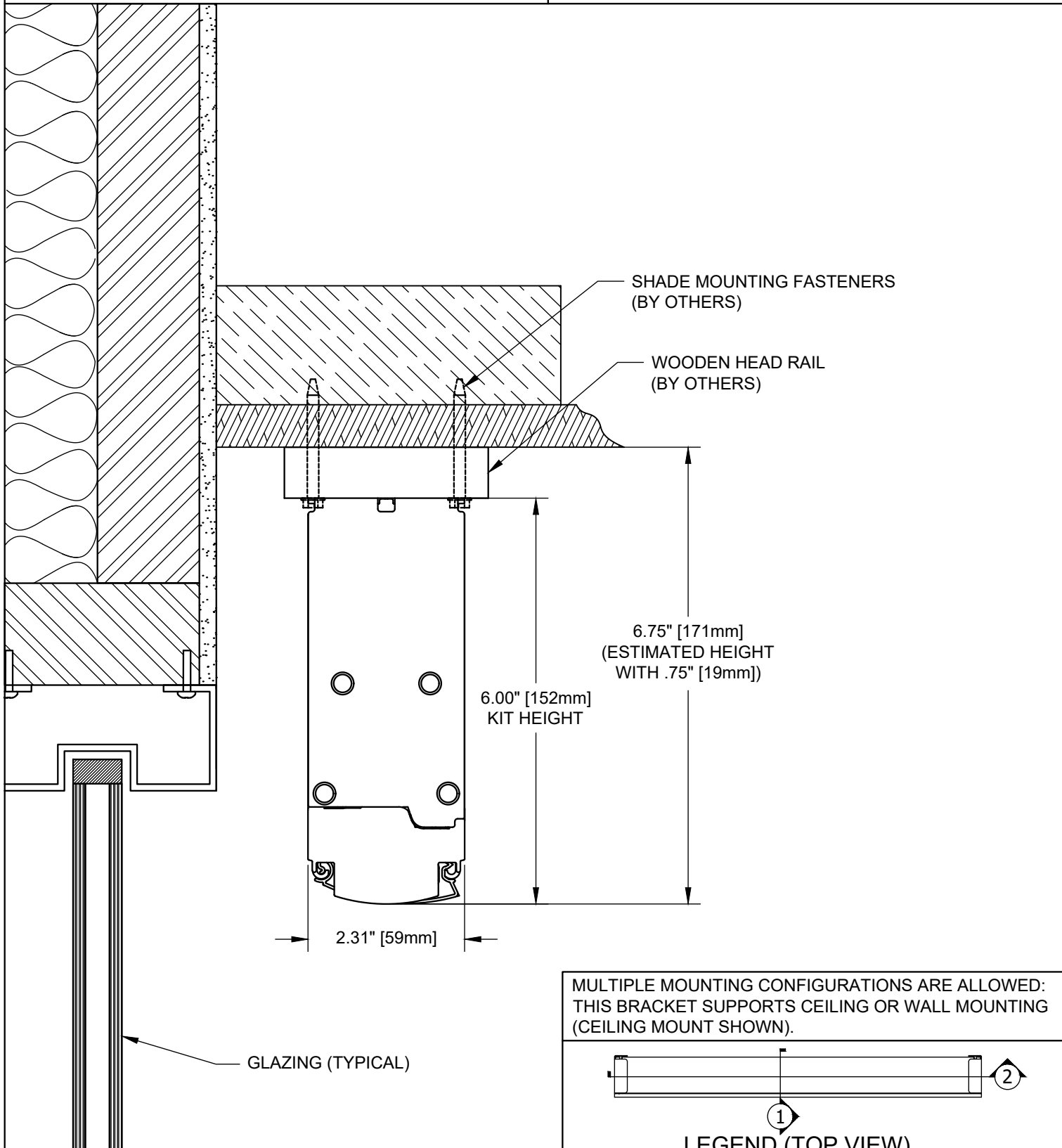
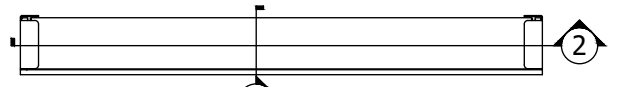


TRIATHLON BATTERY ROMAN KIT

CEILING MOUNT



MULTIPLE MOUNTING CONFIGURATIONS ARE ALLOWED: THIS BRACKET SUPPORTS CEILING OR WALL MOUNTING (CEILING MOUNT SHOWN).



LEGEND (TOP VIEW)

SHADE INSTALLED AS PROVIDED BY FACTORY WILL HAVE ALL NECESSARY CLEARANCES FOR PROPER OPERATION. IT IS THE RESPONSIBILITY OF THE MASTER TECHNICIAN TO ENSURE PROPER CLEARANCES ARE MAINTAINED AFTER INSTALLATION.

TRIATHLON BATT ROMAN KIT

085791

SCALE: 1/2

VIEW: 1

REVISION: A

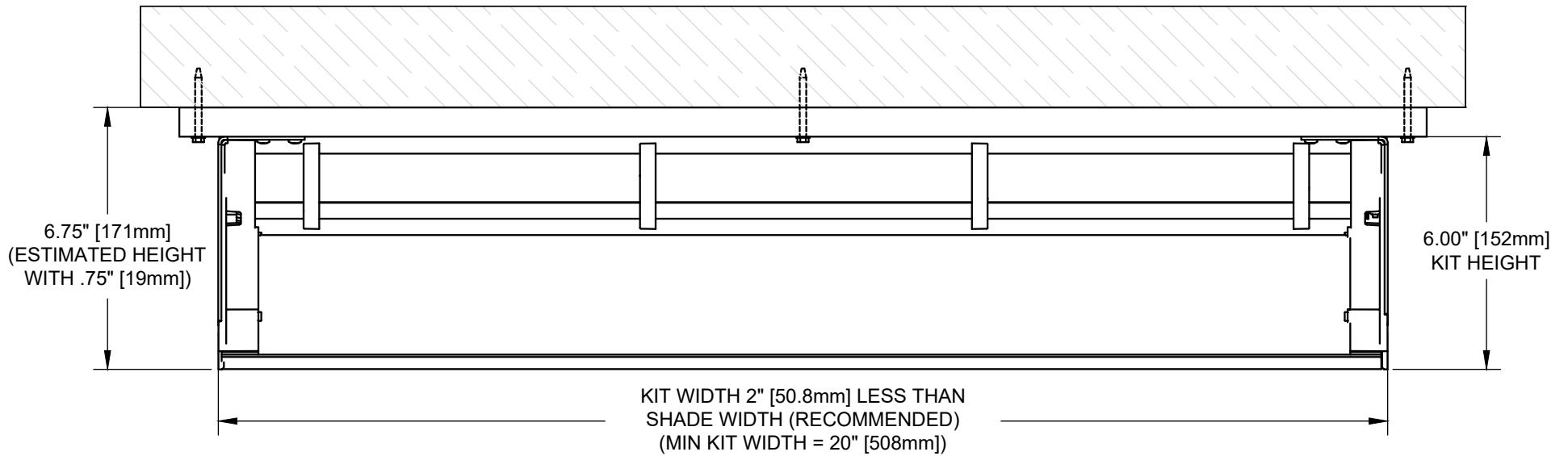


Lutron Electronics Co., Inc.  
7200 Suter Road | Coopersburg, PA 18036 | USA  
(800) 446-1503 | Fax: (610) 282-7439  
<http://www.lutron.com>

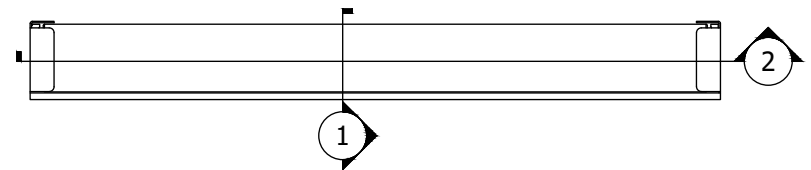
**SECTION VIEW**

TRIATHLON BATTERY ROMAN KIT

CEILING MOUNT



MULTIPLE MOUNTING CONFIGURATIONS ARE ALLOWED: THIS BRACKET SUPPORTS CEILING OR WALL MOUNTING (CEILING MOUNT SHOWN).



LEGEND (TOP VIEW)

SHADE INSTALLED AS PROVIDED BY FACTORY WILL HAVE ALL NECESSARY CLEARANCES FOR PROPER OPERATION. IT IS THE RESPONSIBILITY OF THE MASTER TECHNICIAN TO ENSURE PROPER CLEARANCES ARE MAINTAINED AFTER INSTALLATION.

TRIATHLON BATT ROMAN KIT

085791

SCALE: 1/4

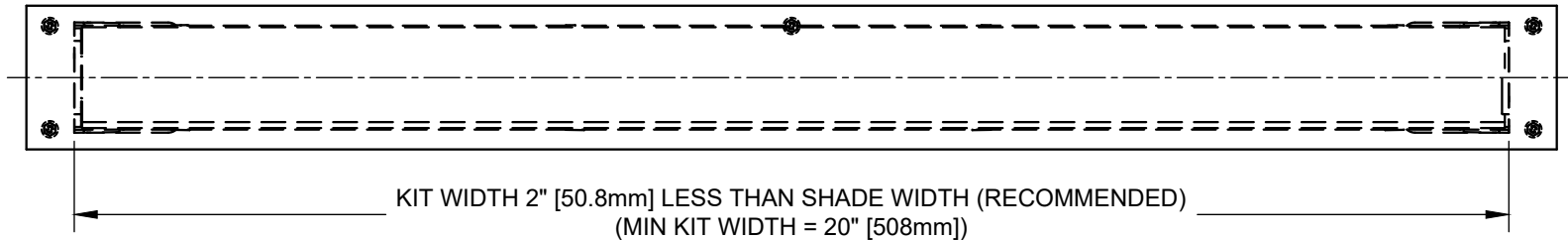
VIEW: 2

REVISION: A



Lutron Electronics Co., Inc.  
7200 Suter Road | Coopersburg, PA 18036 | USA  
1(800) 446-1503 | Fax: (610) 282-7439  
<http://www.lutron.com>

**ELEVATION VIEW**



SHADE INSTALLED AS PROVIDED BY FACTORY WILL HAVE ALL NECESSARY CLEARANCES FOR PROPER OPERATION. IT IS THE RESPONSIBILITY OF THE MASTER TECHNICIAN TO ENSURE PROPER CLEARANCES ARE MAINTAINED AFTER INSTALLATION.

TRIATHLON BATT ROMAN KIT

085791

SCALE: 1/4

VIEW: PLAN

REVISION: A



Lutron Electronics Co., Inc.  
7200 Suter Road | Coopersburg, PA 18036 | USA  
1(800) 446-1503 | Fax: (610) 282-7439  
<http://www.lutron.com>

**PLAN VIEW**