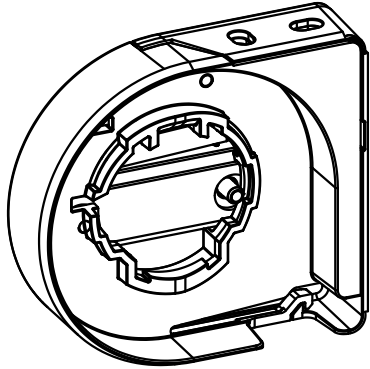
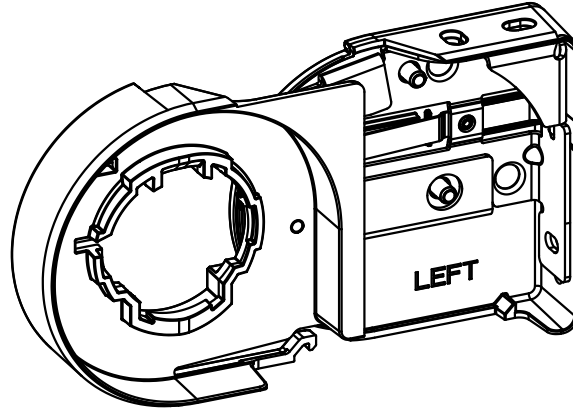


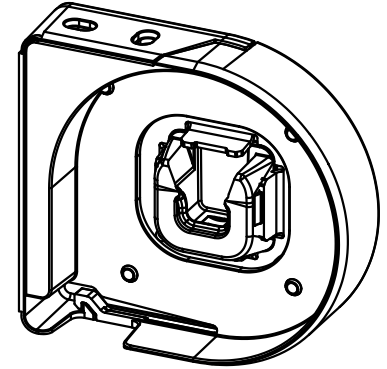
TRIAHLON SELECT TYPE A



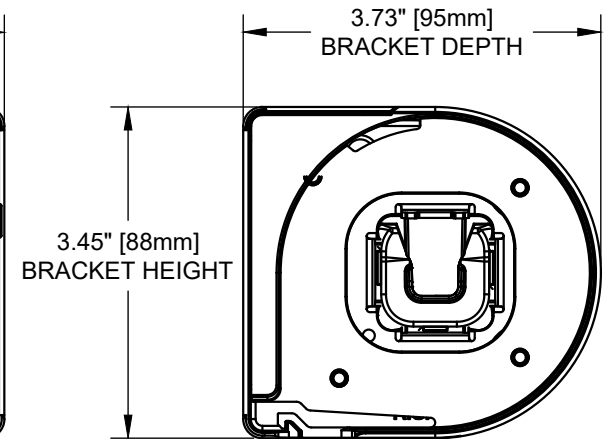
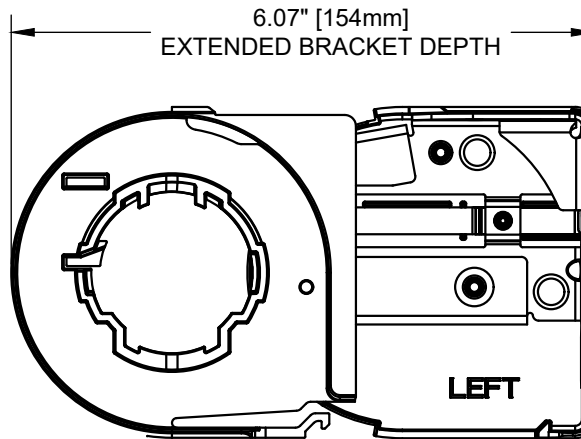
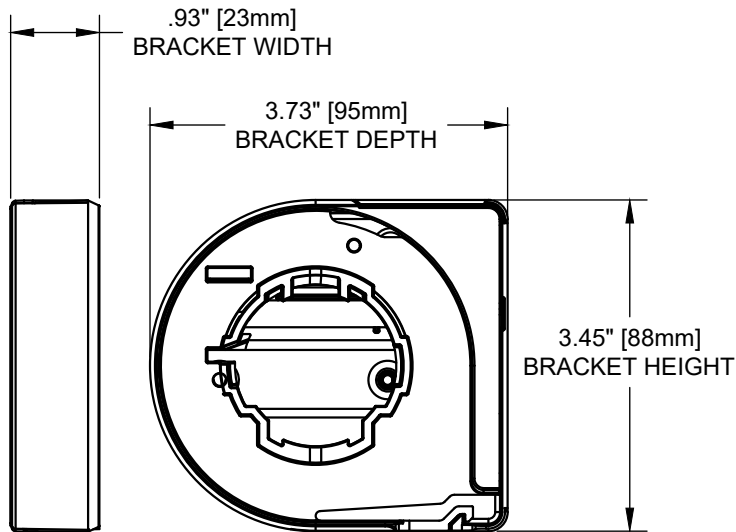
OPERATOR SIDE



OPERATOR SIDE - EXTENDED
IDLER SIDE DOES NOT EXTEND



IDLER SIDE



SHADE INSTALLED AS PROVIDED BY FACTORY WILL HAVE ALL NECESSARY CLEARANCES FOR PROPER OPERATION. IT IS THE RESPONSIBILITY OF THE MASTER TECHNICIAN TO ENSURE PROPER CLEARANCES ARE MAINTAINED AFTER INSTALLATION.

TRIAHLON SELECT
IDLER AND OPERATOR TYPE A BRACKETS

SCALE: 1/2

DRAWING#:

085804

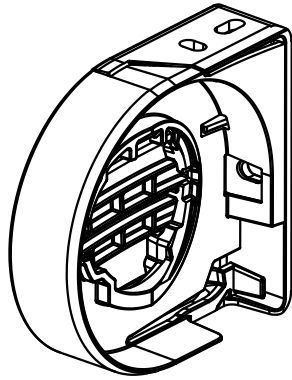
REVISION: A



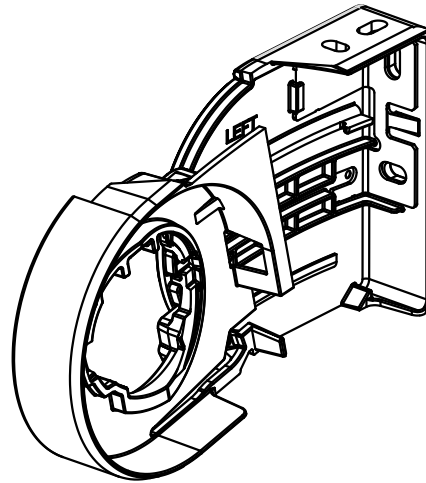
Lutron Electronics Co., Inc.
7200 Suter Road | Coopersburg, PA 18036 | USA
1(800) 446-1503 | Fax: (610) 282-7439
<http://www.lutron.com>

DETAIL DRAWING

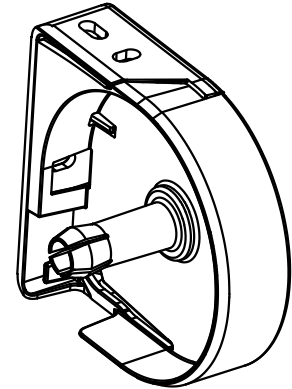
TRIAHLON SELECT TYPE B



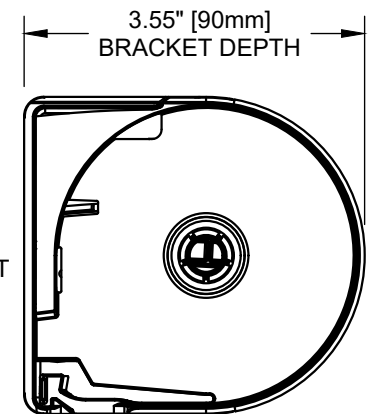
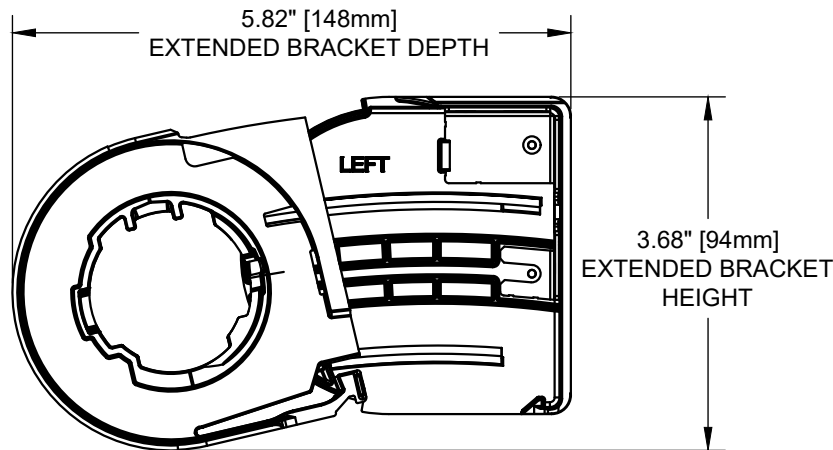
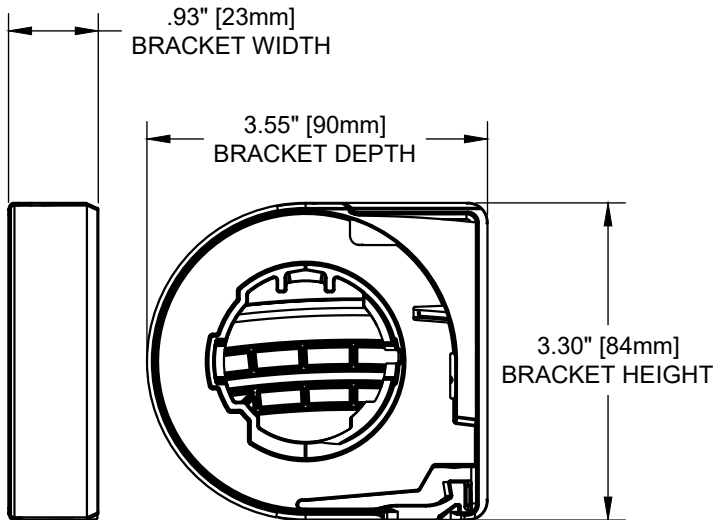
OPERATOR SIDE



OPERATOR SIDE - EXTENDED
IDLER SIDE ALSO EXTENDS



IDLER SIDE



SHADE INSTALLED AS PROVIDED BY FACTORY WILL HAVE ALL NECESSARY CLEARANCES FOR PROPER OPERATION. IT IS THE RESPONSIBILITY OF THE MASTER TECHNICIAN TO ENSURE PROPER CLEARANCES ARE MAINTAINED AFTER INSTALLATION.

TRIAHLON SELECT
IDLER AND OPERATOR TYPE B BRACKETS

SCALE: 1/2

DRAWING#:

085804

REVISION: A



Lutron Electronics Co., Inc.
7200 Suter Road | Coopersburg, PA 18036 | USA
1(800) 446-1503 | Fax: (610) 282-7439
<http://www.lutron.com>

DETAIL DRAWING