

TABLE OF CONTENTS	
SHEET	LAYOUT
1	TABLE OF CONTENTS
2	RECESSED CENTER/SIDE DRAW ELEVATION VIEW
3	RECESSED CENTER/SIDE DRAW PLAN VIEW
4	RECESSED CENTER/SIDE DRAW SECTION VIEW
5	RECESSED BRACKET MODIFICATIONS

DRAPERY TRACKS INSTALLED AS PROVIDED BY FACTORY PER THIS DRAWING WILL HAVE ALL NECESSARY CLEARANCES FOR PROPER OPERATION OF TYPICAL FABRIC PANELS. IT IS THE RESPONSIBILITY OF THE INSTALLER TO ENSURE PROPER CLEARANCES ARE MAINTAINED BASED ON ACTUAL FABRIC PANEL SELECTION.

SHEET 1 OF 5

085809

SCALE:

VIEW:

REVISION: A

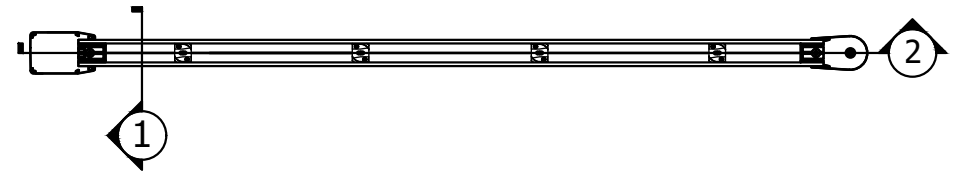
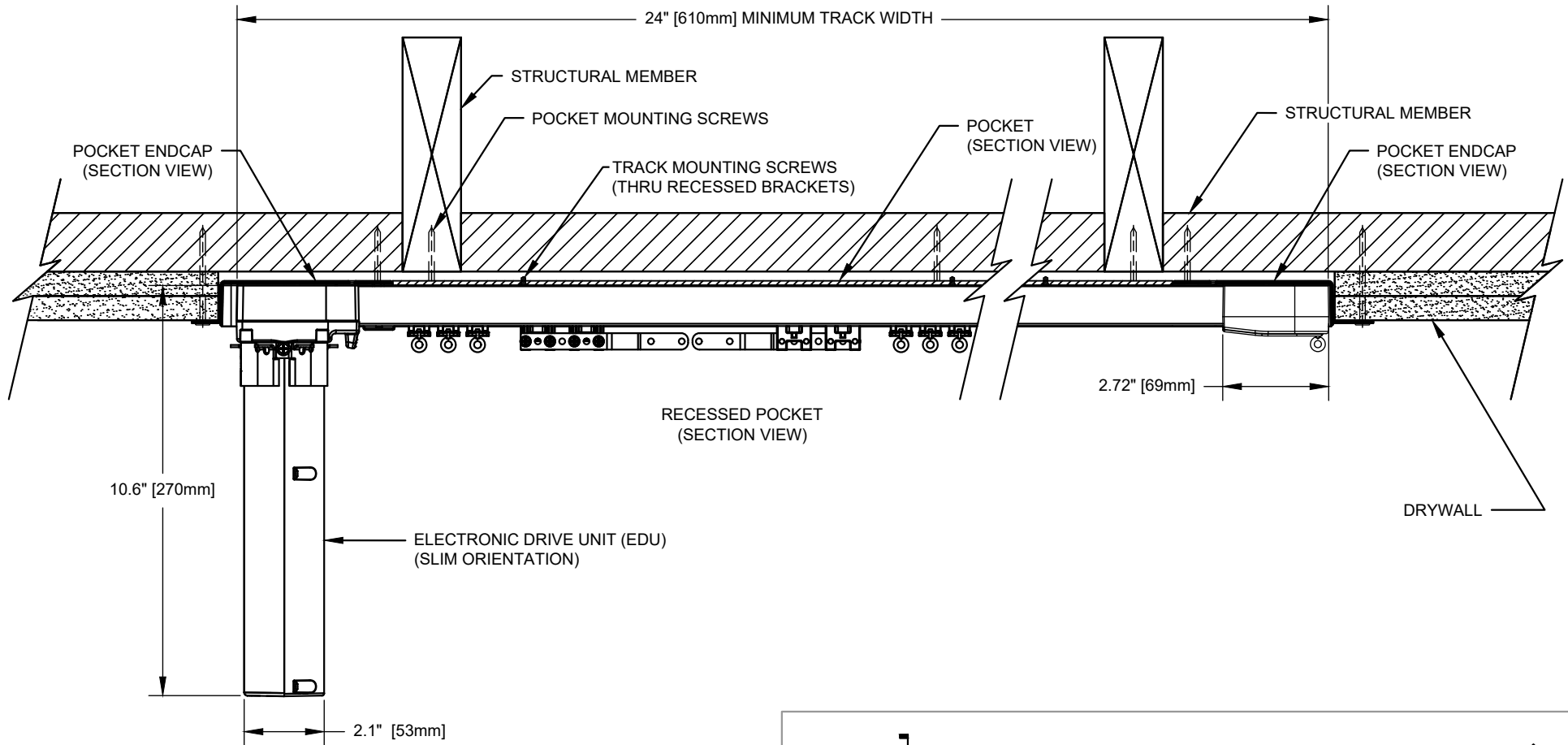


Lutron Electronics Co., Inc.  
 7200 Suter Road | Coopersburg, PA 18036 | USA  
 1(800) 446-1503 | Fax: (610) 282-7439  
<http://www.lutron.com>

# TABLE OF CONTENTS

DRAPERY - RECESSED MOUNT

CENTER/SIDE DRAW ELEVATION VIEW



LEGEND (TOP VIEW)

DRAPERY TRACKS INSTALLED AS PROVIDED BY FACTORY PER THIS DRAWING WILL HAVE ALL NECESSARY CLEARANCES FOR PROPER OPERATION OF TYPICAL FABRIC PANELS. IT IS THE RESPONSIBILITY OF THE INSTALLER TO ENSURE PROPER CLEARANCES ARE MAINTAINED BASED ON ACTUAL FABRIC PANEL SELECTION.

SHEET 2 OF 5

085809

SCALE: 1/4

VIEW: 2

REVISION: A

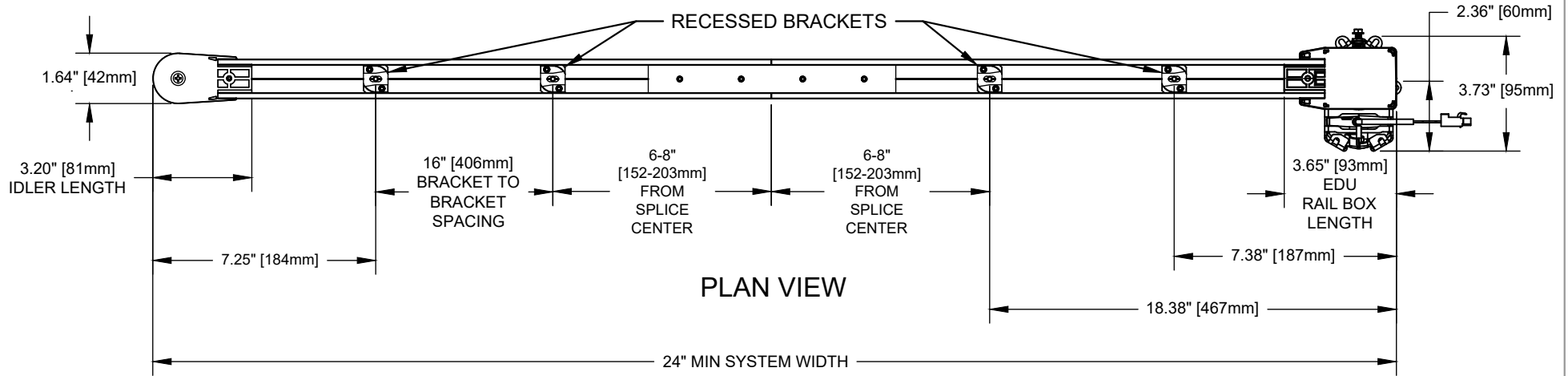
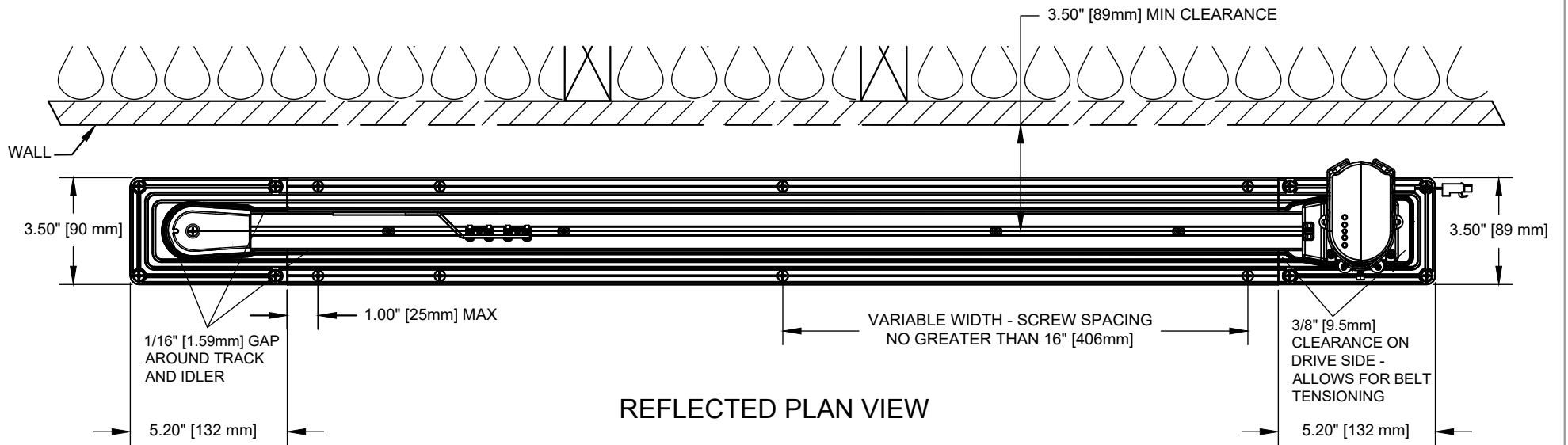


Lutron Electronics Co., Inc.  
7200 Suter Road | Coopersburg, PA 18036 | USA  
1(800) 446-1503 | Fax: (610) 282-7439  
<http://www.lutron.com>

ELEVATION VIEW

DRAPERY - RECESSED MOUNT

CENTER/SIDE DRAW PLAN VIEW



DRAPERY TRACKS INSTALLED AS PROVIDED BY FACTORY PER THIS DRAWING WILL HAVE ALL NECESSARY CLEARANCES FOR PROPER OPERATION OF TYPICAL FABRIC PANELS. IT IS THE RESPONSIBILITY OF THE INSTALLER TO ENSURE PROPER CLEARANCES ARE MAINTAINED BASED ON ACTUAL FABRIC PANEL SELECTION.

SHEET 3 OF 5

085808

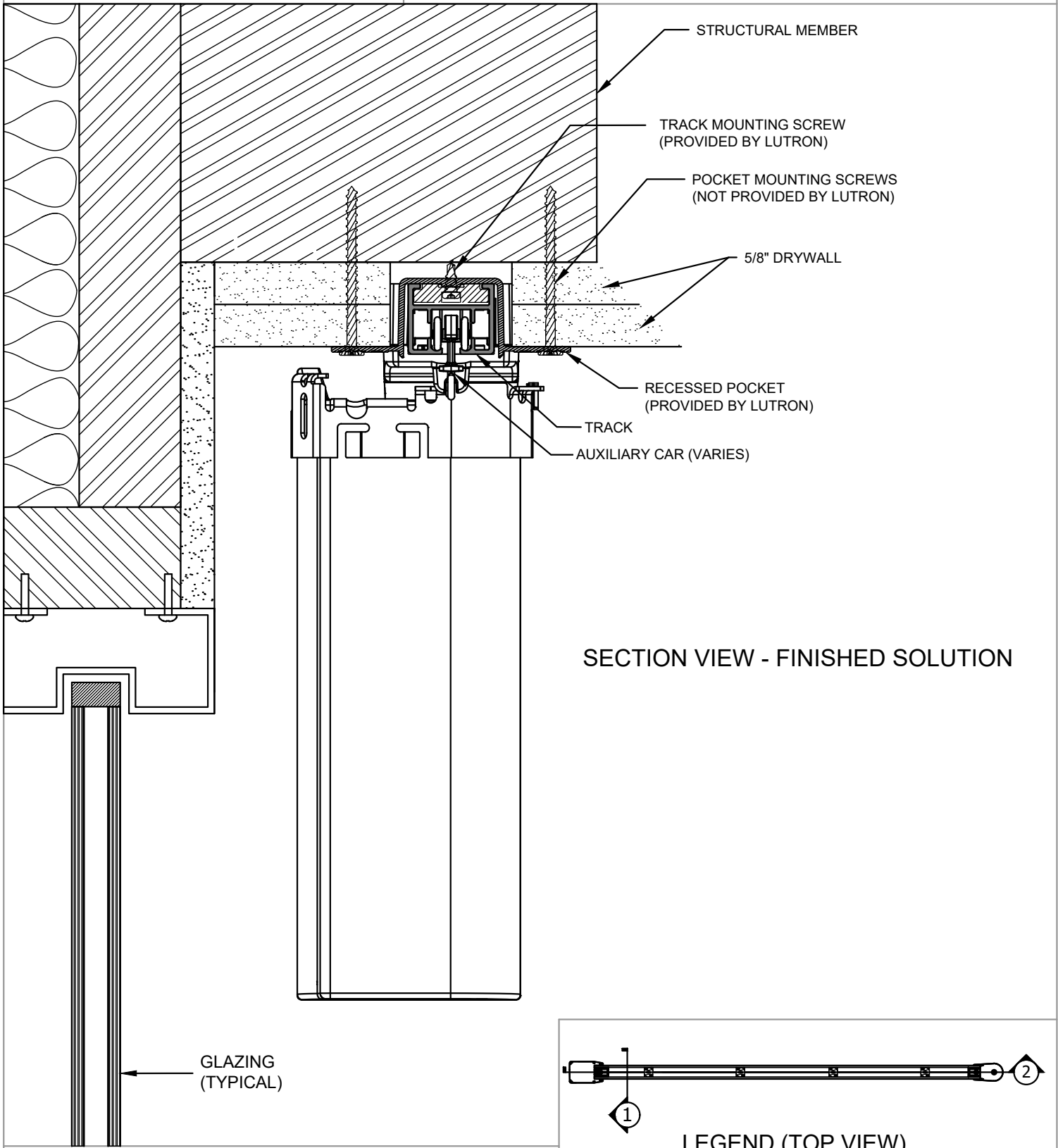
SCALE: 1/5

VIEW: PLAN

REVISION: A

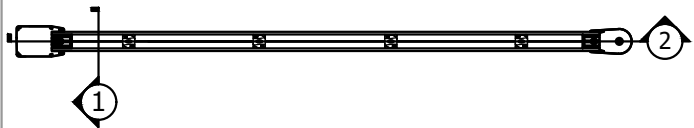
DRAPERY - RECESSED MOUNT

RECESSED SYSTEM SECTION VIEW



SECTION VIEW - FINISHED SOLUTION

GLAZING (TYPICAL)



LEGEND (TOP VIEW)

DRAPERY TRACKS INSTALLED AS PROVIDED BY FACTORY PER THIS DRAWING WILL HAVE ALL NECESSARY CLEARANCES FOR PROPER OPERATION OF TYPICAL FABRIC PANELS. IT IS THE RESPONSIBILITY OF THE INSTALLER TO ENSURE PROPER CLEARANCES ARE MAINTAINED BASED ON ACTUAL FABRIC PANEL SELECTION.

SHEET 4 OF 5

085809

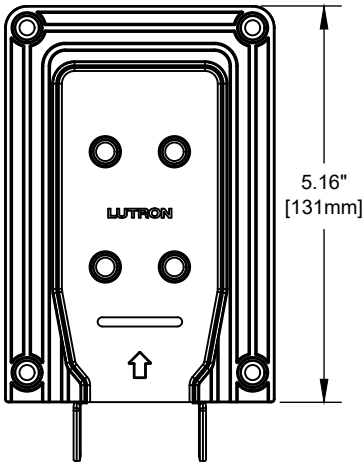
SCALE: 1/2

VIEW: 1

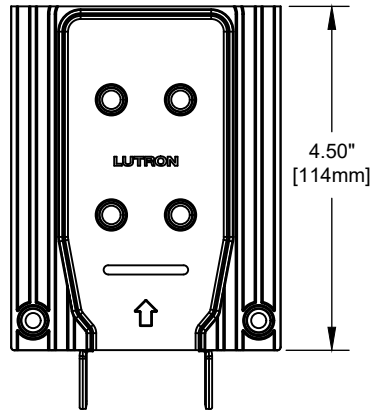
REVISION: A

**SECTION VIEW**

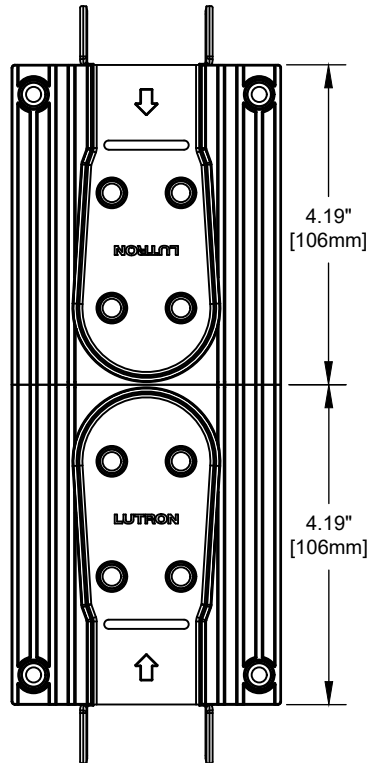
STANDARD CONFIGURATION



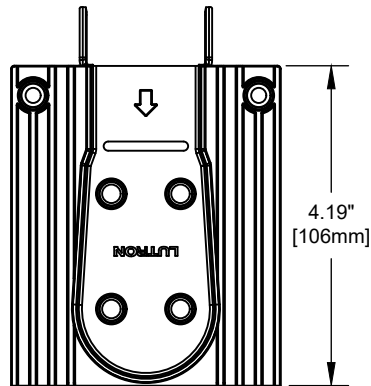
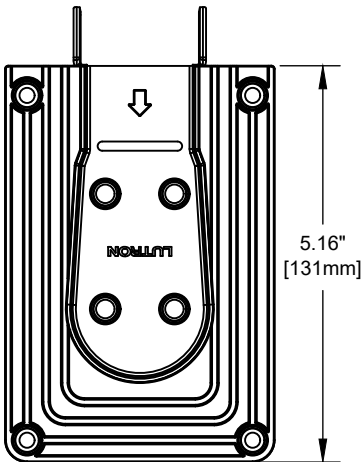
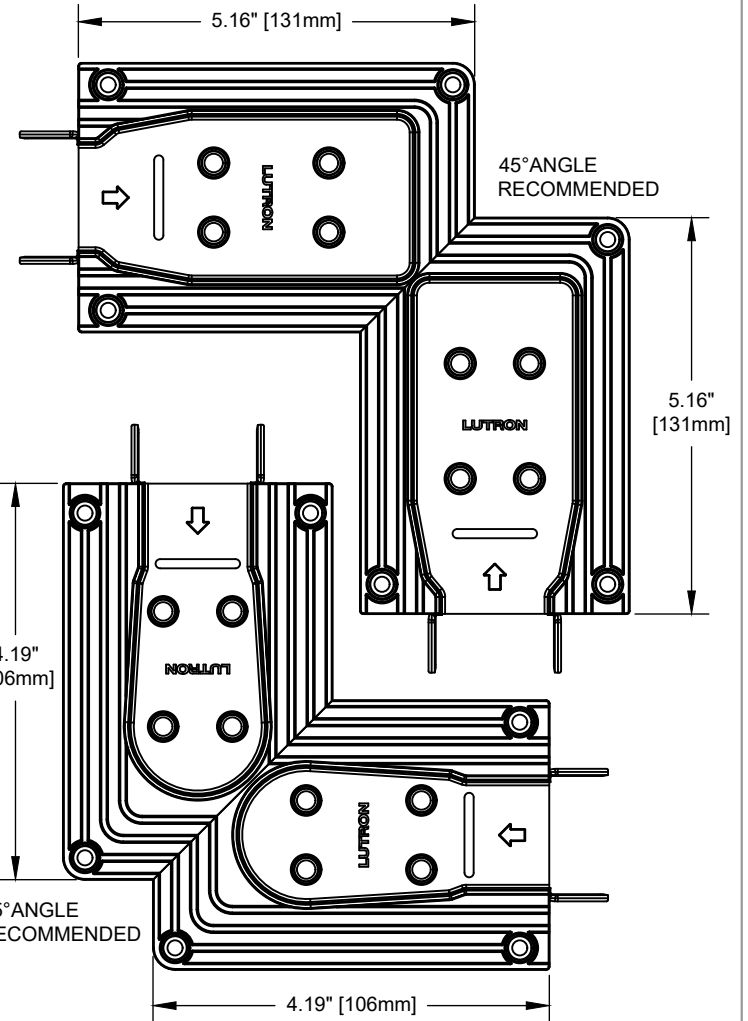
FOR MINIMUM CLEARANCE TO WALL, TRIM ENDCAPS AS SHOWN



FOR MOUNTING TANDEM TRACKS, TRIM ENDCAPS AS SHOWN



FOR CORNER MOUNTING, TRIM ENDCAP CORNERS AS SHOWN



A MINIMUM OF FOUR SCREWS ARE REQUIRED TO SECURE EACH ENDCAP TO STRUCTURAL MEMBER

DRAPERY TRACKS INSTALLED AS PROVIDED BY FACTORY PER THIS DRAWING WILL HAVE ALL NECESSARY CLEARANCES FOR PROPER OPERATION OF TYPICAL FABRIC PANELS. IT IS THE RESPONSIBILITY OF THE INSTALLER TO ENSURE PROPER CLEARANCES ARE MAINTAINED BASED ON ACTUAL FABRIC PANEL SELECTION.

SHEET 5 OF 5

085809

SCALE: 1/5

VIEW:

REVISION: A



Lutron Electronics Co., Inc.  
7200 Suter Road | Coopersburg, PA 18036 | USA  
1(800) 446-1503 | Fax: (610) 282-7439  
<http://www.lutron.com>

**PLAN VIEW**