

TABLE OF CONTENTS	
SHEET	LAYOUT
1	TABLE OF CONTENTS
2	CORNER WALL MOUNT PLAN VIEW
3	CORNER CEILING MOUNT PLAN VIEW
4	DUAL CORNER CEILING MOUNT PLAN VIEW

DRAPERY TRACKS INSTALLED AS PROVIDED BY FACTORY PER THIS DRAWING WILL HAVE ALL NECESSARY CLEARANCES FOR PROPER OPERATION OF TYPICAL FABRIC PANELS. IT IS THE RESPONSIBILITY OF THE INSTALLER TO ENSURE PROPER CLEARANCES ARE MAINTAINED BASED ON ACTUAL FABRIC PANEL SELECTION.

SHEET 1 OF 4

085812

SCALE:

VIEW:

REVISION: A

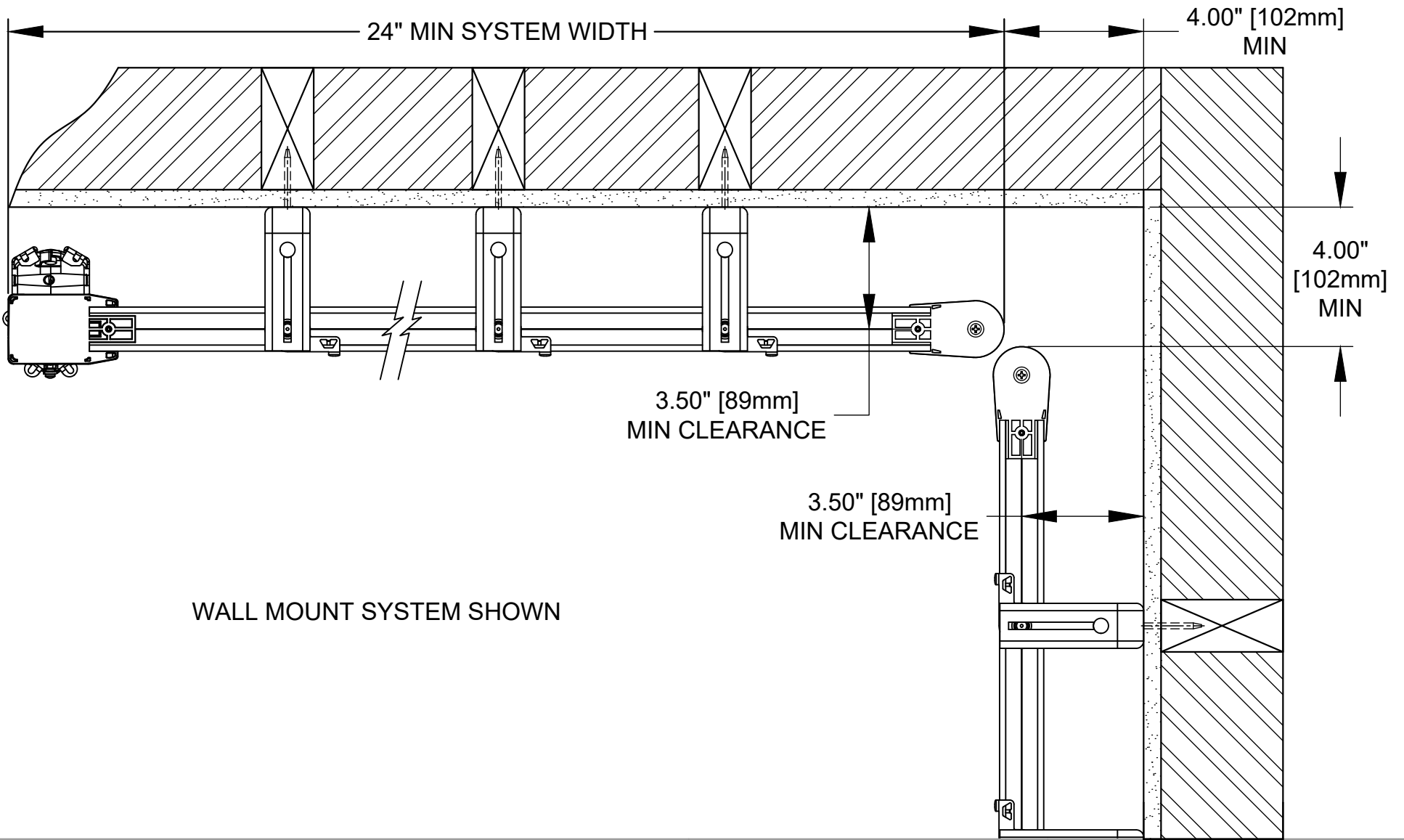


Lutron Electronics Co., Inc.
 7200 Suter Road | Coopersburg, PA 18036 | USA
 1(800) 446-1503 | Fax: (610) 282-7439
<http://www.lutron.com>

TABLE OF CONTENTS

DRAPERY

CORNER WALL MOUNT PLAN VIEW



DRAPERY TRACKS INSTALLED AS PROVIDED BY FACTORY PER THIS DRAWING WILL HAVE ALL NECESSARY CLEARANCES FOR PROPER OPERATION OF TYPICAL FABRIC PANELS. IT IS THE RESPONSIBILITY OF THE INSTALLER TO ENSURE PROPER CLEARANCES ARE MAINTAINED BASED ON ACTUAL FABRIC PANEL SELECTION.

SHEET 2 OF 4

085812

SCALE: 1/4

VIEW: PLAN

REVISION: A



Lutron Electronics Co., Inc.
 7200 Suter Road | Coopersburg, PA 18036 | USA
 1(800) 446-1503 | Fax: (610) 282-7439
<http://www.lutron.com>

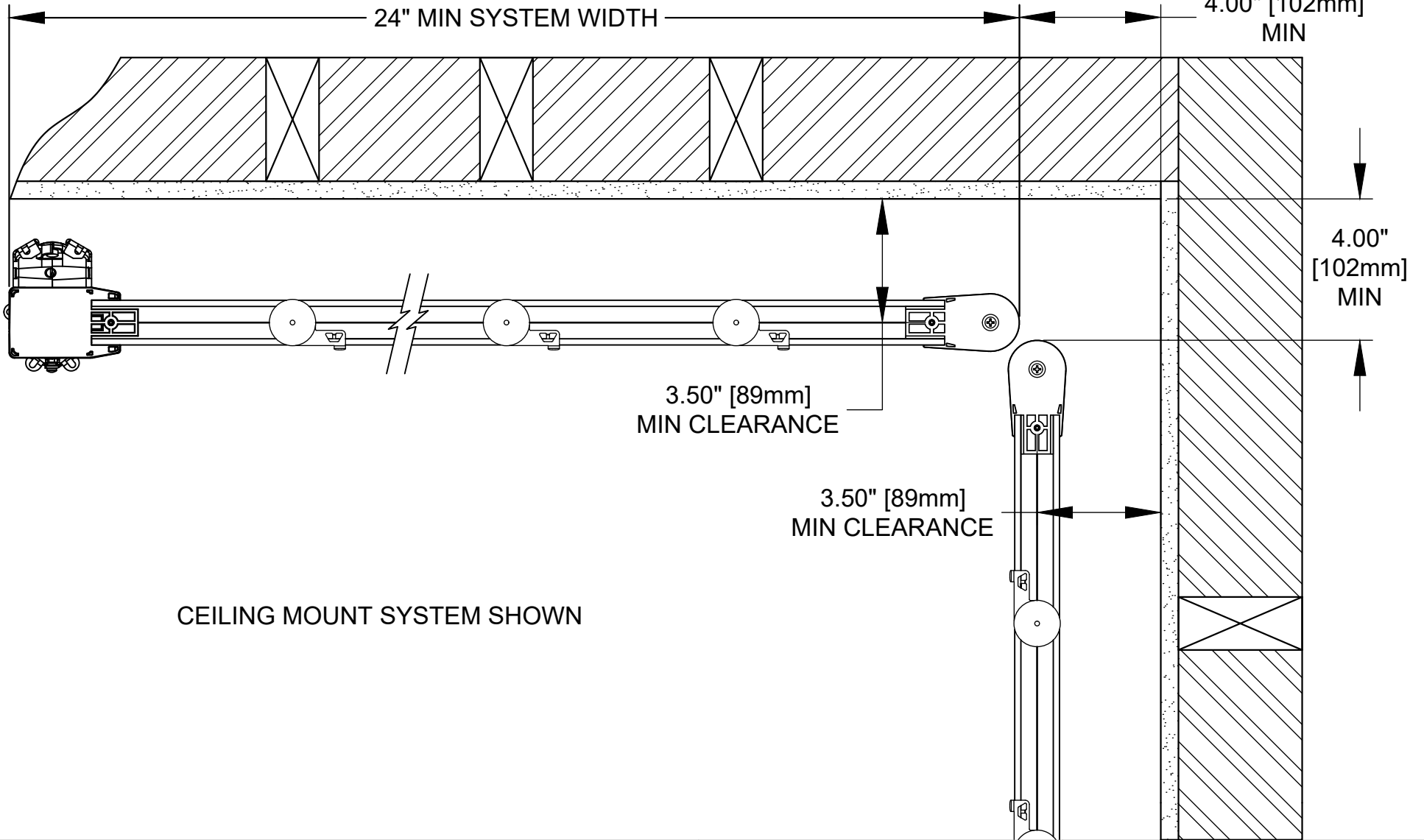
PLAN VIEW

DRAPERY

CORNER CEILING MOUNT PLAN VIEW

24" MIN SYSTEM WIDTH

4.00" [102mm] MIN



DRAPERY TRACKS INSTALLED AS PROVIDED BY FACTORY PER THIS DRAWING WILL HAVE ALL NECESSARY CLEARANCES FOR PROPER OPERATION OF TYPICAL FABRIC PANELS. IT IS THE RESPONSIBILITY OF THE INSTALLER TO ENSURE PROPER CLEARANCES ARE MAINTAINED BASED ON ACTUAL FABRIC PANEL SELECTION.

SHEET 3 OF 4

085812

SCALE: 1/4

VIEW: PLAN

REVISION: A

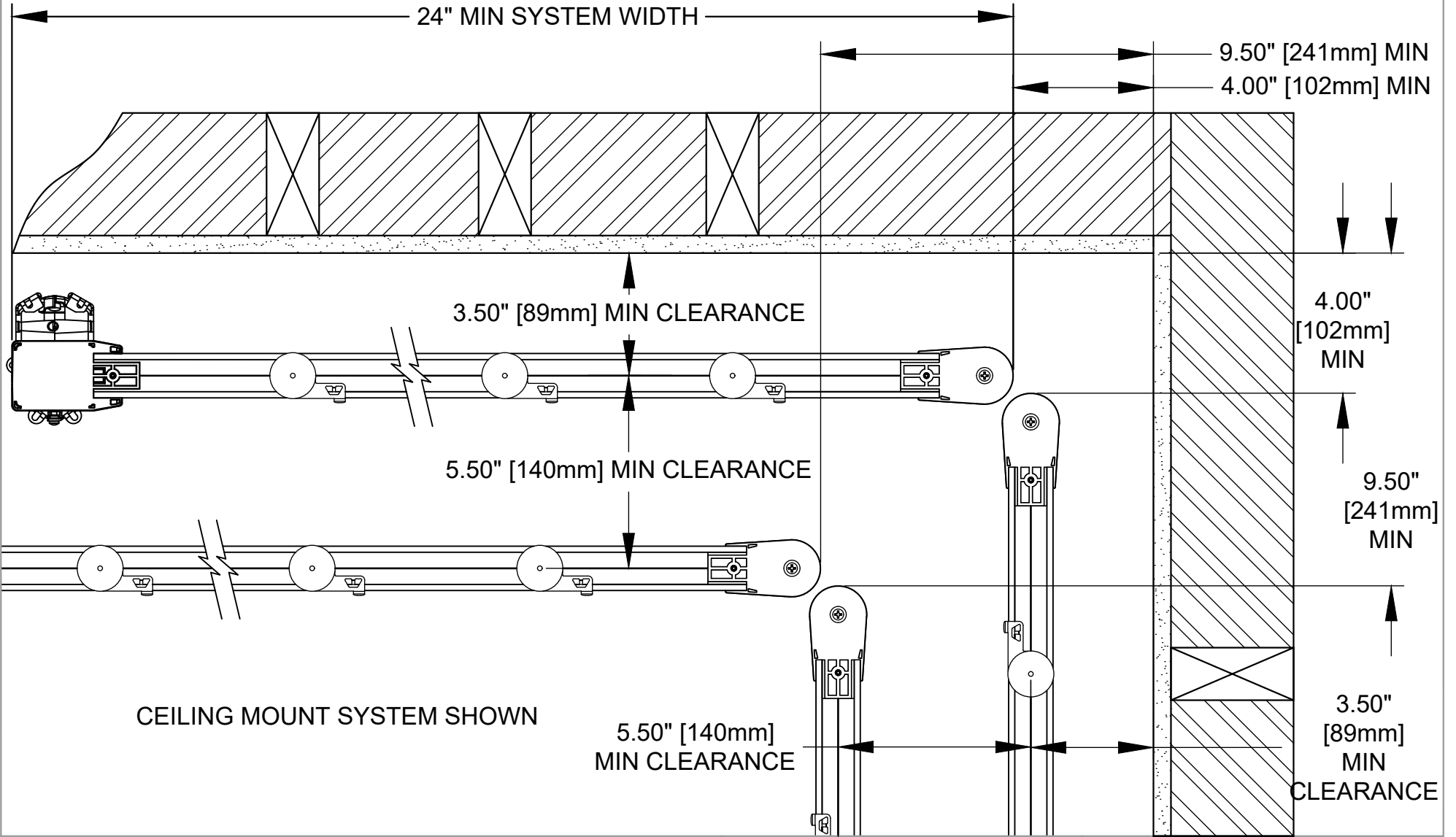


Lutron Electronics Co., Inc.
 7200 Suter Road | Coopersburg, PA 18036 | USA
 1(800) 446-1503 | Fax: (610) 282-7439
<http://www.lutron.com>

PLAN VIEW

DRAPERY

DUAL CORNER CEILING MOUNT PLAN VIEW



DRAPERY TRACKS INSTALLED AS PROVIDED BY FACTORY PER THIS DRAWING WILL HAVE ALL NECESSARY CLEARANCES FOR PROPER OPERATION OF TYPICAL FABRIC PANELS. IT IS THE RESPONSIBILITY OF THE INSTALLER TO ENSURE PROPER CLEARANCES ARE MAINTAINED BASED ON ACTUAL FABRIC PANEL SELECTION.

SHEET 4 OF 4

085812

SCALE: 1/4

VIEW: PLAN

REVISION: A



Lutron Electronics Co., Inc.
 7200 Suter Road | Coopersburg, PA 18036 | USA
 1(800) 446-1503 | Fax: (610) 282-7439
<http://www.lutron.com>

PLAN VIEW