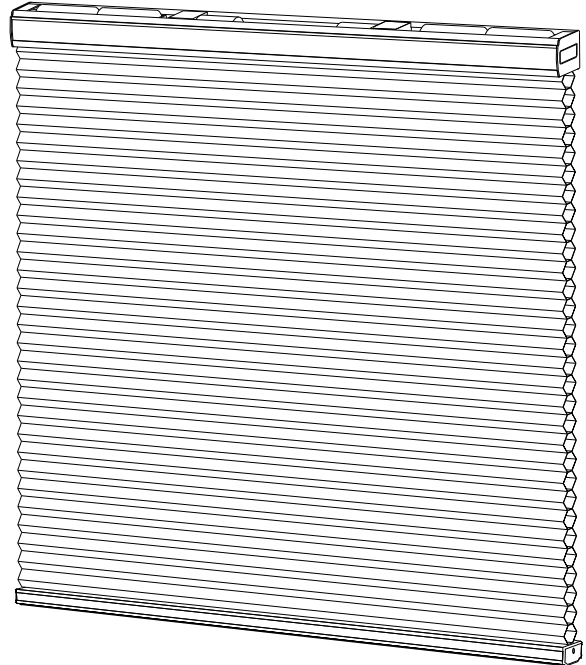
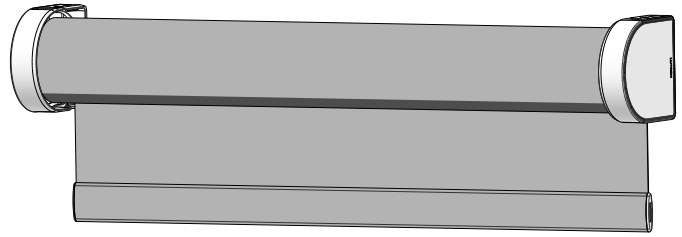


Caséta Smart Roller Shades Caséta Smart Honeycomb Shades

Caséta smart shades bring natural light control to a Lutron Caséta system. Create privacy and reduce glare at set times of the day or with the touch of a button.

Features

- 2 year battery performance typical
- Quiet operation: 44 dBA measured 3 ft (1 m) from the drive
- Precise drive is capable of stopping at 0.125 in (3 mm) interval throughout the entire travel of the shade
- Shades available in:
 - Widths from 22 in (559 mm) to 96 in (2438 mm)
 - Heights from 12 in (305 mm) to 104 in (2642 mm)
- Type A or Type B brackets will be provided for roller shades, dependent on shade configuration¹
- Easy installation and maintenance
- Built-in wireless communication using Clear Connect Type A RF technology
- Wireless control range: 30 ft (9 m)
- Symmetrical light gaps, as small as 0.75 in (19 mm), nominal for roller shades and 0.25 in (6 mm), nominal for honeycomb shades
- Roller shades are left drive, regular roll only
- Back covers are provided with all honeycomb shades



¹ Refer to ordering tool. Type A product will be represented by 5D battery configuration and Type B product will be represented by 4D battery configuration.

Job Name: Job Number:	Model Numbers:
--	-----------------------

Specifications

Regulatory

- cULus listed
- FCC (USA)

Roller Shade Ratings

- Operating voltage: 6–7.5 V_{DC}
- Operating wattage: 4 W
- Torque: 4.0 in-lb (0.45 N•m)
- Speed: 2.5 in/sec (64 mm/sec)

Honeycomb Shade Ratings

- Operating voltage: 6–12 V_{DC}
- Operating wattage: 5 W
- Torque: 4.5 in-lb (0.51 N•m)
- Speed: 1.8 in/sec (46 mm/sec)

Compatible Controls

- Pico remote control
- Caséta smart hub
- Caséta smart hub PRO

Environment

- Temperature: 32 °F to 104 °F (0 °C to 40 °C)
- For indoor use only
- Relative Humidity: <90% non-condensing

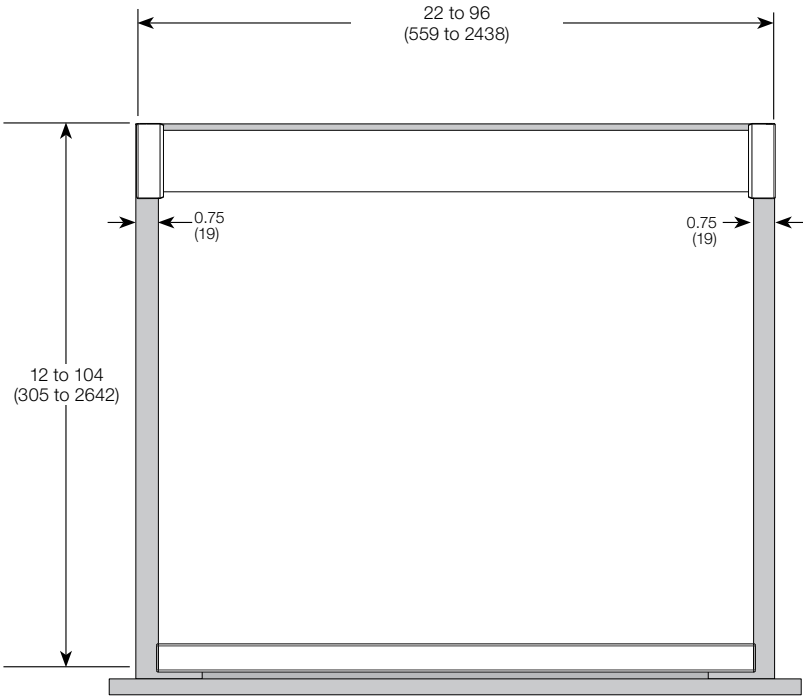
Job Name:	Model Numbers:
Job Number:	

System Dimensions

Roller Shade Dimensions

All measurements shown as: in (mm)

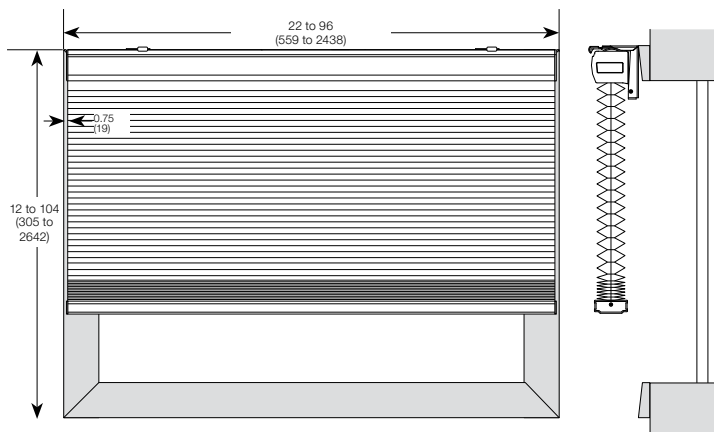
Note: Ordered shades measure from the outer faces of the brackets for the width and measure from the top of the bracket to the bottom of the hembar for the height.



Honeycomb Shade Dimensions

All measurements shown as: in (mm)





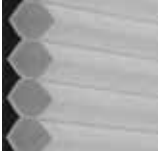



Note: Ordered shades measure from the outer faces of the headrail for the width and measure from the top of the bracket to the bottom of the bottom rail for the height.



Job Name:	Model Numbers:
Job Number:	

Fabric Options

Caséta smart shades are available in white and grey, with the choice of light filtering or blackout fabric.

Roller Shades			
			
White	Gray	White	Gray
Light Filtering		Blackout	
Honeycomb Shades			
			
White	Gray	White	Gray
Light Filtering		Blackout	

Battery Power

The Caséta smart roller shade system is powered by 1.5 V⁻⁻⁻, D-Cell, alkaline batteries (not included).

The Caséta smart honeycomb shade system is powered by D-Cell, alkaline batteries or AA-Cell lithium batteries (not included) dependent on shade configuration. Refer to ordering tool for battery requirements.

Install **NEW** batteries. Do not mix brands or types. A diagram on the battery sleeve indicates correct orientation. Battery life varies with shade size, fabric weight, and daily usage patterns.

To achieve optimal battery life, Lutron recommends batteries from specific manufacturers. Using non-recommended batteries or improper installation will significantly reduce battery life. For the latest on recommended manufacturers as well as other information about optimizing battery life in your Lutron shades, please visit lutron.com/optimizing-battery-life.

Job Name:	Model Numbers:
Job Number:	

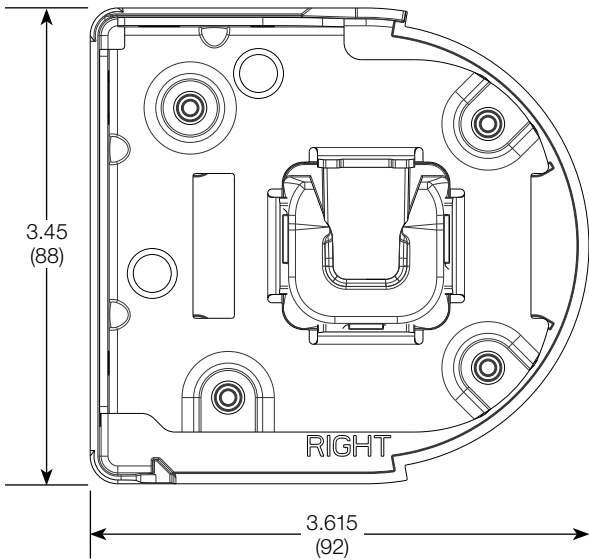
Caséta Smart Roller Shade Specifications

Roller Shade Bracket Dimensions:

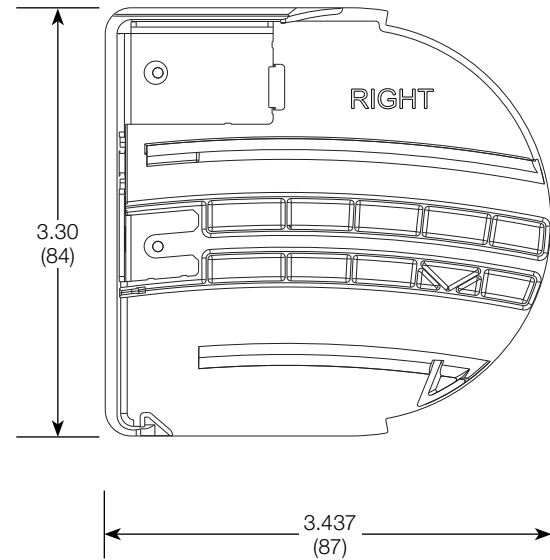
All measurements shown as: in (mm)

Note: Bracket type varies based on shade dimensions and fabric selection. Refer to shade ordering tool for details. Type A product will be represented by 5D battery configuration and Type B product will be represented by 4D battery configuration.

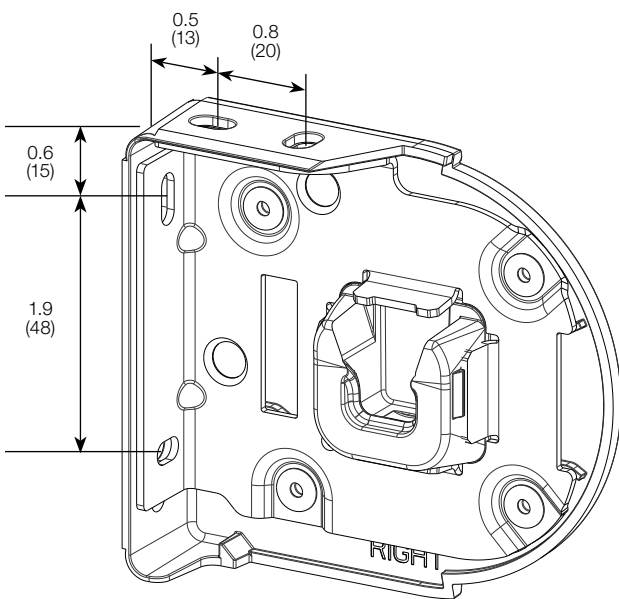
Type A



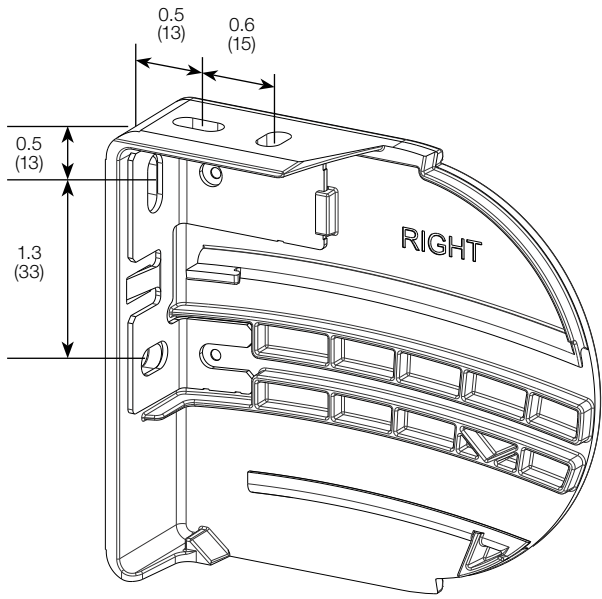
Type B



Type A



Type B



Job Name:	Model Numbers:
Job Number:	

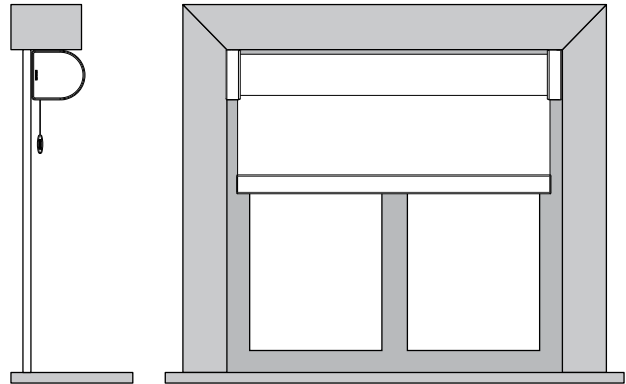
Roller Shade Mounting Options

Depending on the window dimensions, the shade can be mounted inside the window frame or outside the window frame. Brackets must be installed in the indicated orientation and cannot be rotated.

CEILING INSIDE MOUNT OR JAMB INSIDE MOUNT

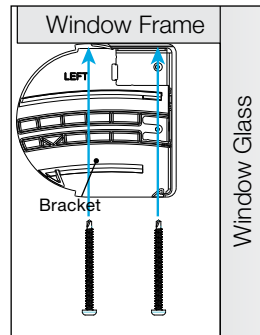
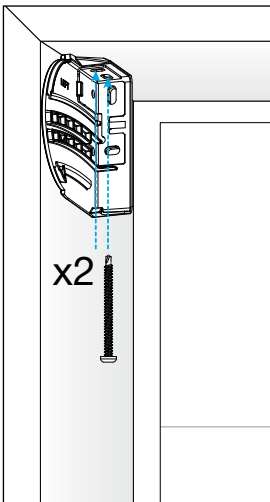
The minimum window jamb depth required to mount the shade is 3 in (76 mm). To fully recess the shade, the window jamb must be at least 3.75 in (95 mm) deep. Installation of the shade relies on the "slide-out" battery access feature of the shade brackets.

To install or remove the shade brackets, an additional clearance of 3.75 in (95 mm) is required in front of the shade.



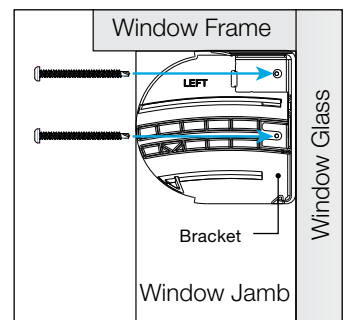
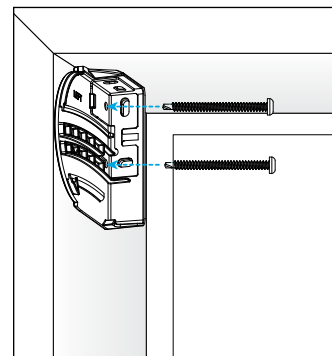
CEILING MOUNT

Screws are driven through the top of the bracket into the blocking as shown.



JAMB MOUNT

Screws are driven through the side of the bracket into the blocking as shown. It is recommended that holes are drilled through the bracket before mounting. Flat head screws (not provided) are required for jamb mount.

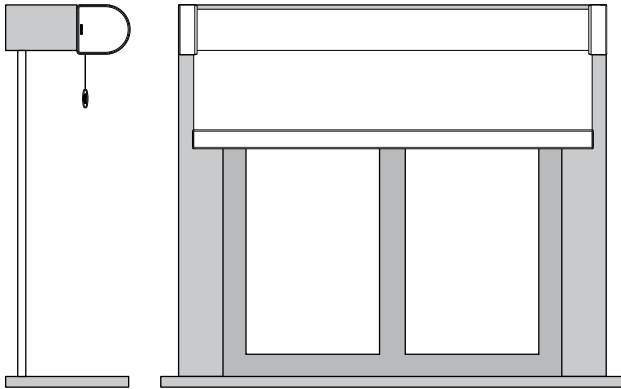


Job Name:	Model Numbers:
Job Number:	

Roller Shade Mounting Options (continued)

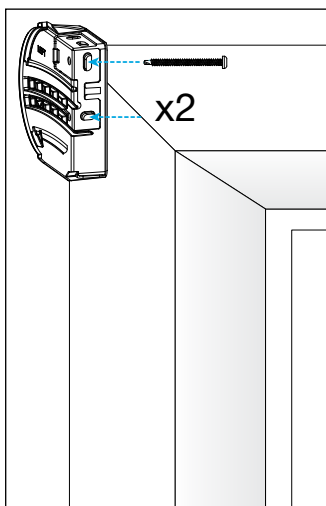
Depending on the window dimensions, the shade can be mounted inside the window frame or outside the window frame. Brackets must be installed in the indicated orientation and cannot be rotated.

OUTSIDE MOUNT ON TRIM



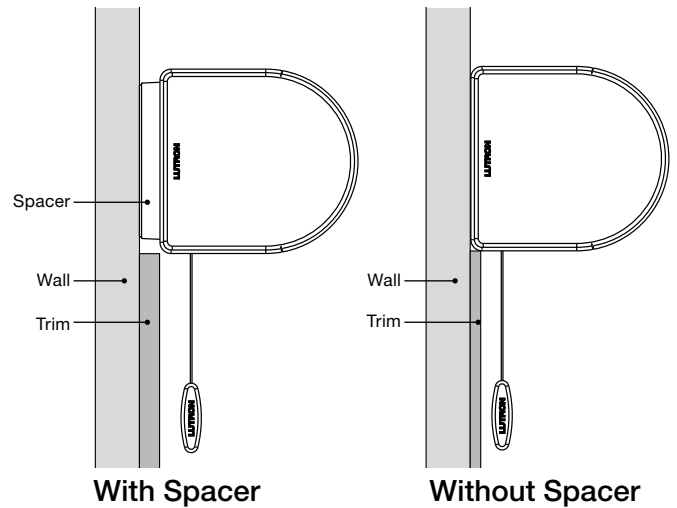
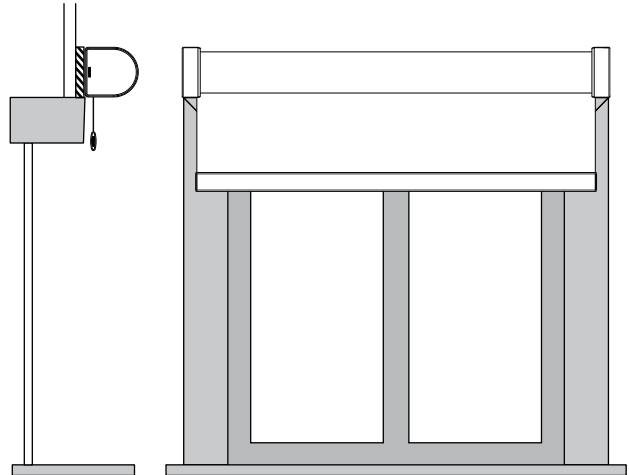
Installation of the shade relies on the "slide-out" battery access feature of the shade brackets. A clearance of 3.75 in (95 mm) is required in front of the shade to install or remove the shade brackets.

Screws are driven through the back of the bracket into the blocking as shown.



OUTSIDE MOUNT ABOVE TRIM

Spacers and longer screws are included when outside mount above trim is indicated. Spacers may also be used to clear window or door handles as needed.* Spacers provide 1/2 in (13 mm) of clearance off of mounting surface. Spacers cannot be stacked.



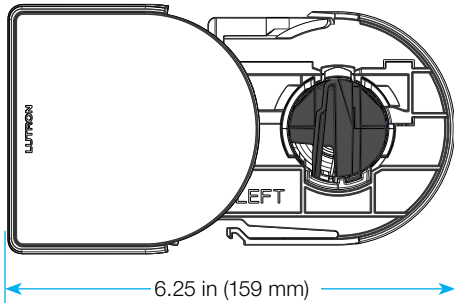
* Spacer kits included for orders specifying "Outside Mount Above Trim" and can be provided upon request.

Job Name:	Model Numbers:
Job Number:	

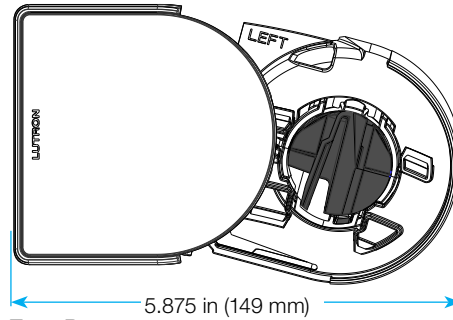
Roller Shade Battery Access Clearance

The clearances shown below are required for unrestricted battery installation and change access.

Bracket Mounting Depth: Access to the battery compartment relies on the “slide-out” battery access feature of left shade bracket.



Type A

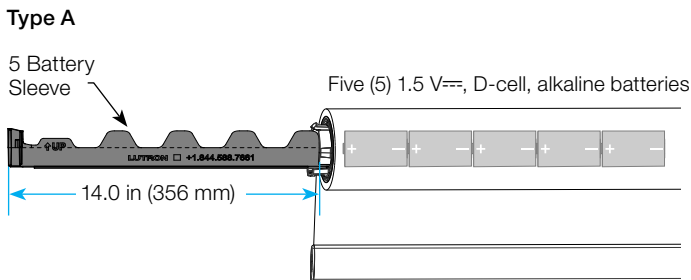


Type B

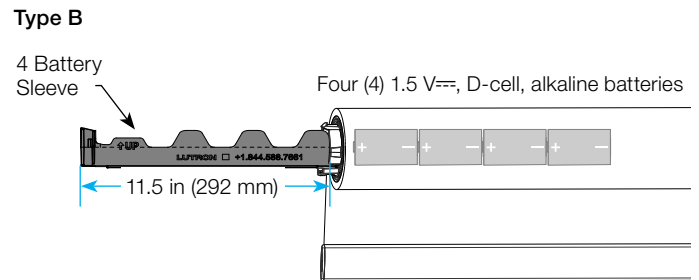
Battery Sleeve Removal/Insertion:

Batteries are housed in a sleeve that fits inside the EDU. Removal and insertion of the sleeve requires clearance to end walls and other window-adjacent objects or structures.

The quantity of batteries required varies with shade configuration and will be indicated on battery sleeve.



Type A



Type B

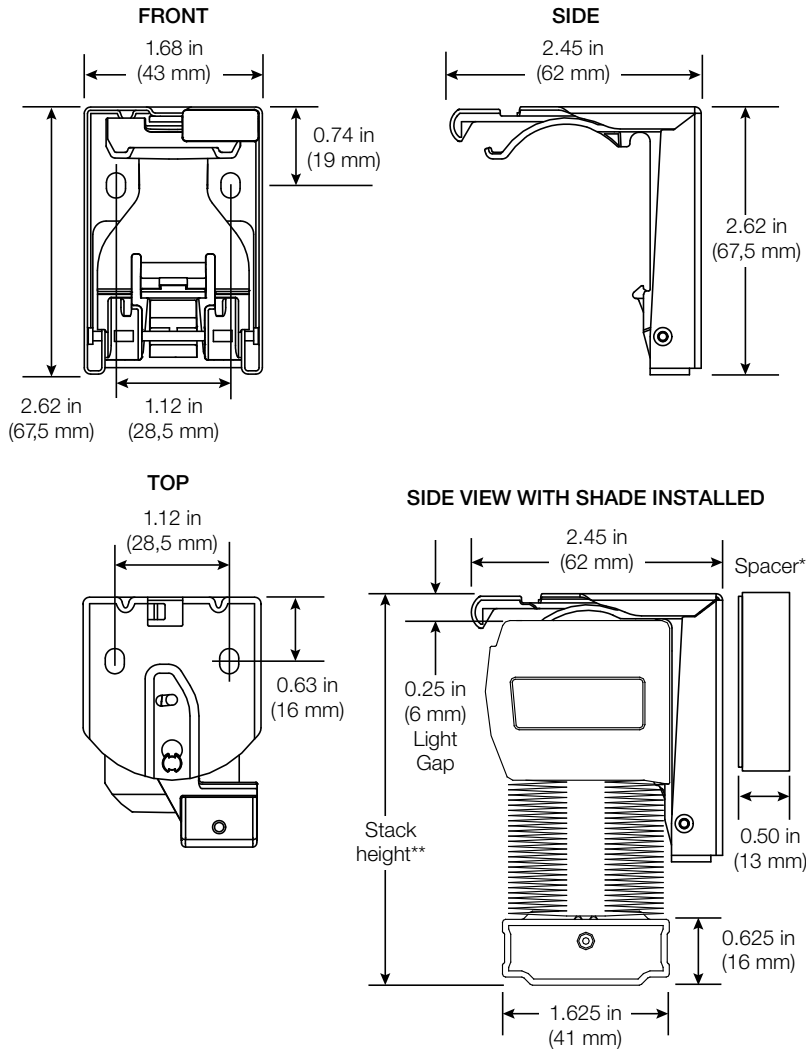
Close-quarters Installations:

When the installation location does not allow the battery sleeve clearances shown above, the shade must be uninstalled from the brackets to access the battery sleeve. Refer to installation guide for further instructions.

Job Name:	Model Numbers:
Job Number:	

Caséta Smart Honeycomb Shade Specifications

Honeycomb Shade Brackets Dimensions



Bracket count by shade size

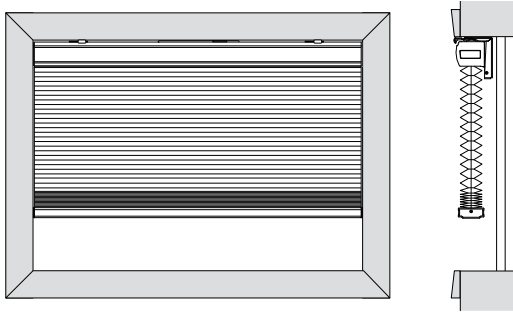
Shade Width	Brackets Required
22 in - 45 in (559 mm - 1143 mm)	2
45 1/8 in - 69 in (1146 mm - 1753 mm)	3
69 1/8 in - 96 in (1756 mm - 2438 mm)	4

Job Name:	Model Numbers:
Job Number:	

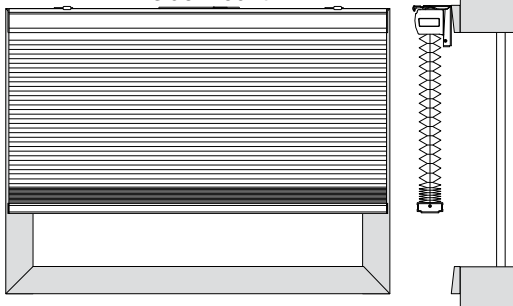
Caséta Smart Honeycomb Shade Specifications *(continued)*

Honeycomb Shade Mounting Options

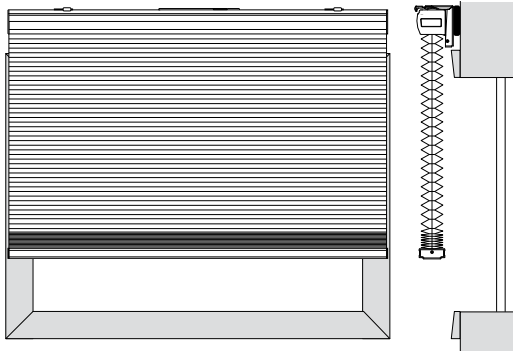
Depending on the window dimensions, the shade can be mounted inside the window frame or outside the window frame.



Inside Mount



Outside Mount on Trim



Outside Mount Above Trim (includes spacers)

The Lutron logo, Lutron, Caséta, Clear Connect, and Pico are trademarks or registered trademarks of Lutron Electronics Co., Inc. in the US and/or other countries.

All other product names, logos, and brands are property of their respective owners.

LUTRON SPECIFICATION SUBMITTAL

Page

Job Name:	Model Numbers:
Job Number:	