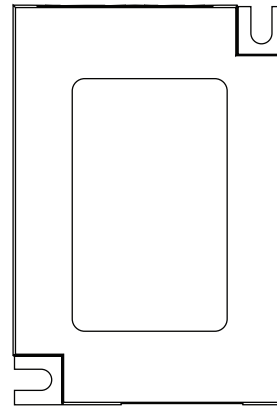
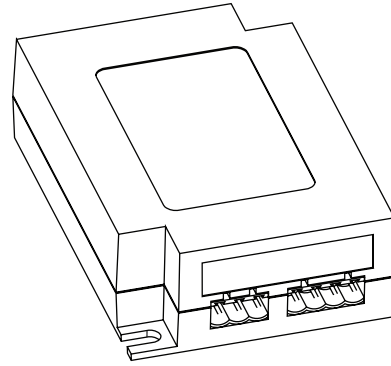


QS | Link power supply

The QS Link power supply (QSPS-P1-1-50/ QSPS-P2-1-50/ QSPS-P3-1-50) is a 24 V_{DC} plug in power supply that is used with Lutron® QS lighting or shading devices.

The Link power supply plugs into a standard receptacle. The power supply is protected electronically in the event of a miswire, and will automatically reset when wiring is corrected.



Features


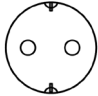
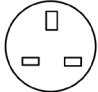
- 24 V_{DC} supply that provides power to shades, keypads, and accessories
- Simple wiring scheme uses 4-conductor, low voltage link to provide power and communication for QS electronic drive units (EDUs), see Touch® QS keypads and QS integration interfaces
- Mounting tabs and small size allow for discrete installation
- Universal input voltage (100-240 VAC) enables global specification

QSPS-P1-1-50
Link power supply

Job Name:	Model Numbers:
Job Number:	

Specifications

Input Voltage	100-240 V~
Input current (MAX)	1 A
Output Voltage	24 V _{DC}
Operating Frequency	50/60 Hz
ESD Protection	(+/-) 16 kV
Miswire Protection	Electronic Automatic Reset
Input Wiring	Available with 3 types of line cords. All 6 ft (1.8 m) Plugs into standard receptacle

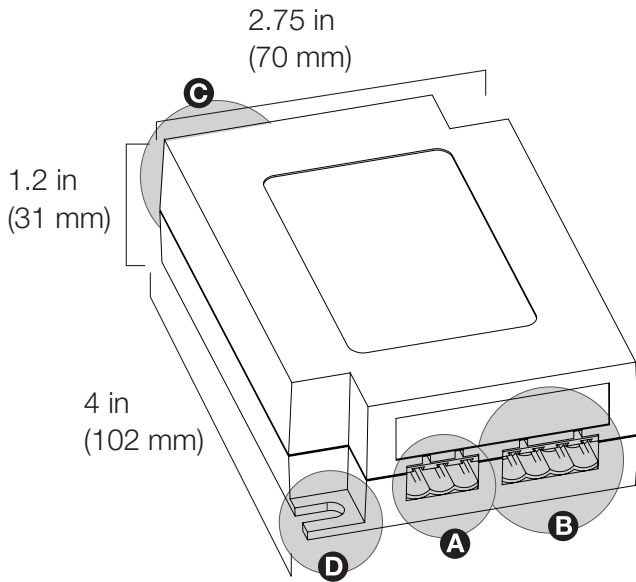
- QSPS-P1-1-50**  NEMA 5-15 Plug
- QSPS-P2-1-50**  CEE 7/7 Plug
- QSPS-P3-1-50**  BS 1363 Plug

QS Link Wiring	4-conductor (power and communication) +24 V, COM, MUX, $\overline{\text{MUX}}$
	3-conductor (communication pass-through) COM, MUX, $\overline{\text{MUX}}$
Output connections	Detachable terminal blocks 12-26 AWG stranded, twisted/shielded
Weight	0.3 lb (0.14 kg)
Regulatory	UL (1310 CLASS2) CE (IEC 61558) CUL (CSA C22.2 #223)

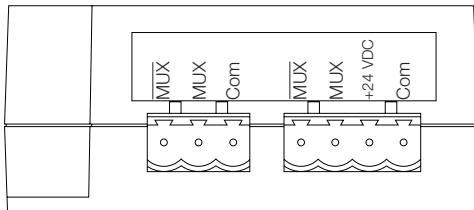
Job Name: Job Number:	Model Numbers:
--	-----------------------

Dimensions

- QSPS-P1-1-50
- QSPS-P2-1-50
- QSPS-P3-1-50



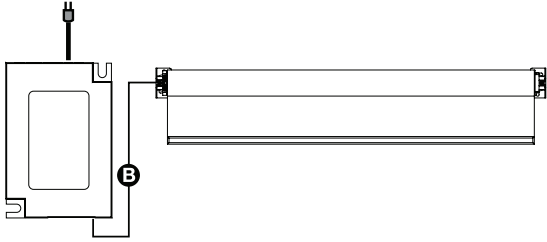
- A** 3-pin connector
Communication to additional Power supplies
- B** 4-pin connector
Power and Communication to QS shade or keypads
- C** Line voltage input
- D** Mounting tabs



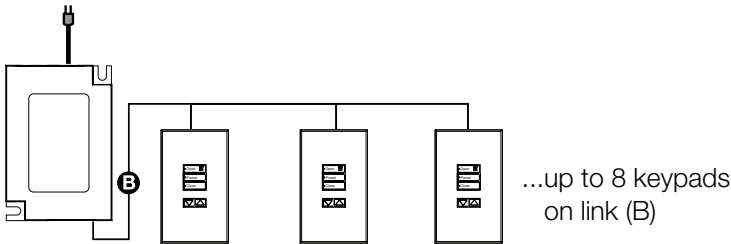
Job Name:	Model Numbers:
Job Number:	

System Wiring Overview: QS Link power supply

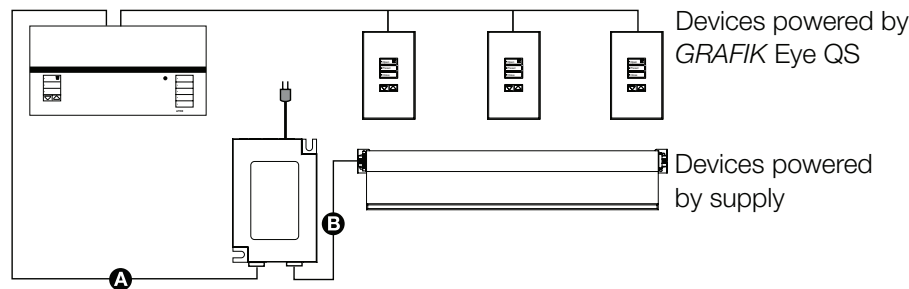
Example: Powering one shade
(max of one shade per output of a power supply)



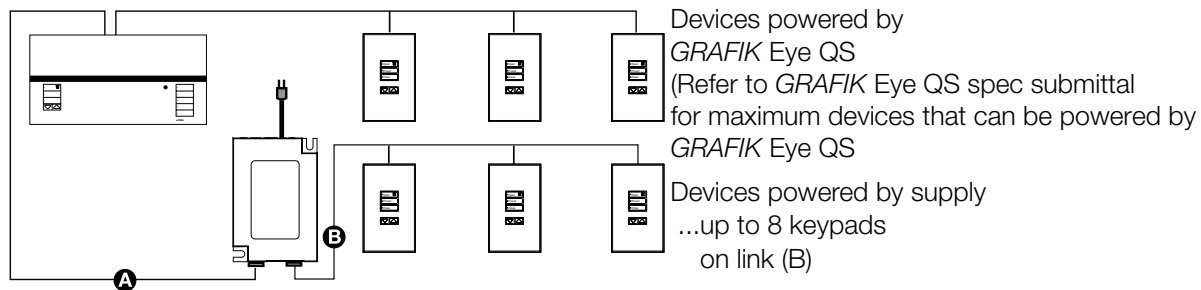
Example: Powering keypads



Example: Connecting to a *GRAFIK Eye*® QS (**Note:** *GRAFIK Eye* QS powered from line voltage)



Example: Connecting to a *GRAFIK Eye* QS (**Note:** *GRAFIK Eye* QS powered from line voltage)



- A** Communication link (3 conductor)
Communications used to connect power supplies to each other or to *GRAFIK Eye* QS
12-26 AWG (4-0.5 mm²) standard, twisted/shielded
- B** Power and communication link (4 conductor)
Provides power and communication to QS shades or keypads
12-26 AWG (4-0.5 mm²) standard, twisted/shielded

Job Name:	Model Numbers:
Job Number:	

QS Link Wiring

Link Rules

The following link rules must be observed for proper operation.

- Use only cable with at least one twisted/shielded pair for communications (MUX and MUX)
- Total length of power supply link (A) wire plus device link (B) wire in entire system must be less than 2000 ft (609 m)

Maximum devices powered from one QSPS-PX-1-50		Total wire length of link (B) based on wire gauge		
Shades	Controls	12 AWG (4 mm ²)	16 AWG (1.5 mm ²)	18 AWG (1 mm ²) GRX-CBL-346S-500
1 <i>Sivoia</i> QS shade/drapery drive unit	Up to 1 seeTouch® QS keypad	250 ft (75 m)	100 ft (30 m)	50 ft (17 m)
None	Up to 8 seeTouch® QS keypads*	1200 ft (350 m)	500 ft (150 m)	300 ft (75 m)

* 2 seeTouch QS keypads may be exchanged for:

1 Ethernet & RS232 Control Interface (QSE-CI-NWK-E)

OR

1 Contact Closure Input /Output Interface (QSE-IO)

Job Name:	Model Numbers:
Job Number:	

Technical and Sales Assistance

WORLD HEADQUARTERS

Lutron Electronics Co., Inc.
7200 Suter Road
Coopersburg, PA 18036
United States
Tel: +1.610.282.3800
Fax: +1.610.282.1243

ASIAN HEADQUARTERS

Lutron GL Ltd.
15 Hoe Chiang Road
#07-03 Tower Fifteen
Singapore 089316
Tel: +65.6220.4666
Fax: +65.6220.4333
lutronsea@lutron.com

EUROPEAN HEADQUARTERS

Lutron EA Ltd.
6 Sovereign Close
London, E1W 3JF
United Kingdom
Tel: +44.(0)20.7702.0657
Fax: +44.(0)20.7480.6899

CUSTOMER SERVICE/ORDERING

USA +1.610.282.3800 –
08.00 - 20.00 EST
UK +44.(0)20.7702.0657 –
09.00 - 18.00 GMT

CUSTOMER SERVICE /E-MAIL

shadinginfo@lutron.com

TECHNICAL SUPPORT & SERVICES

USA +1.610.282.3800 –
24 hours/7 days
UK +44.(0)20.7702.0657
09.00 - 18.00 GMT

INTERNET:

www.lutron.com

ADDITIONAL LUTRON SALES OFFICES:

Germany

Tel: +49.309.710.4590
Fax: +49.309.710.4591
FREEPHONE
00800-5887 6635

France

Lutron LTC, S.A.R.L.
90 rue de Villiers
92300 Levallois-Perret, France
Tel: +33.(0)1.41.05.42.80
Fax: +33.(0)1.41.05.01.80
FREEPHONE: 0800.90.12.18
lutronfrance@lutron.com

Spain-Madrid

Tel: +34.91.567.84.79
Fax: +34.91.567.84.78
FREEPHONE 0900.948.944

Spain-Barcelona

Tel: +34.93.496.57.42
Fax: +34.93.496.57.50
FREEPHONE 0900.948.944

Hong Kong

Tel: +852.2104.7733
Fax: +852.2104.7633

Beijing

Tel: +86.10.5877.1817
Fax: +86.10.5877.1816

Shanghai

Tel: +86.21.6288.1473
Fax: +86.21.6288.1751

Singapore

LUTRON GL Ltd. - Singapore
15 Hoe Chiang Road
#7-03 Tower 15
Singapore 089316
Tel: +65.6220.4666
Fax: +65.6220.4333

Japan

Tel: +81.3.5575.8411
Fax: +81.3.5575.8420

www.lutron.com/shadingsolutions

USA and Canada (24 hrs/7days):

call: 800.523.9466

Other countries (8 a.m. – 8 p.m. ET)

call: +1 610.282.3800

fax: +1 610.282.3090

email: shadinginfo@lutron.com

Shades Customer Service

USA and Canada (24 hrs/7days):

call: 800.446.1503

©2008 LUTRON Electronics Co., Inc.

Specification Submittal Sheet
for QS Link power supply

Job Name:	Model Numbers:
Job Number:	