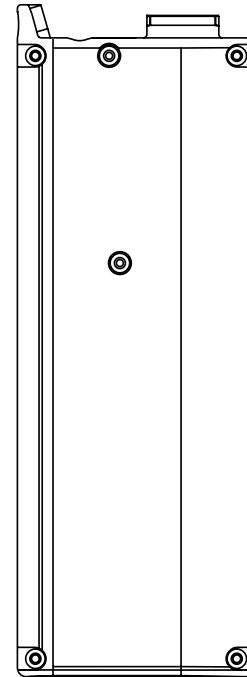


Lutron | D145 Drapery Track System Capacity Specification

The Lutron D145 drapery track utilizes the ultra-quiet, precision controlled D145 drapery drive, which is capable of operating a drapery weighing up to 145 lbs (66 kg).

Features

- Compatible with Sivoia QS Wireless and Sivoia QS operating types
- Operates up to 145 lb (66 kg) draperies
- Compatible with single, dual, tandem, and dual-tandem tracks
- Tracks available with pinch pleat or ripplefold drapery panels
- Curved track solutions available
(For complete conditions, limitations, and ordering of curved tracks, please refer to the [Curved Drapery Track Template Construction Guide](#))



Lutron D145 Drapery Drive

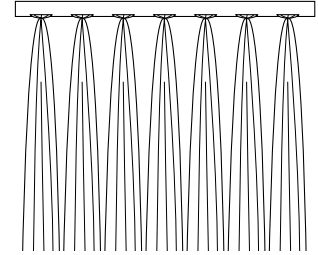
Job Name:	Model Numbers:
Job Number:	

System capacity

Pinch Pleat Capacity

Use this chart to determine the maximum drapery panel size the *D145* drapery system can operate, based on height and weight.

D145 pinch pleat system capacity			
System width	Straight track	Curved track, 1 bend	Curved track, 2 bends
24 in to 32 in (610 mm to 813 mm)	20 lbs (9.1 kg)	N/A	N/A
32 in to 44 in (813 mm to 1118 mm)	30 lbs (13.6 kg)	30 lbs (13.6 kg)	N/A
44 in to 56 in (1118 mm to 1422 mm)	40 lbs (18.1 kg)	40 lbs (18.1 kg)	N/A
56 in to 68 in (1422 mm to 1727 mm)	55 lbs (24.9 kg)	55 lbs (24.9 kg)	40 lbs (18.1 kg)
68 in to 84 in (1727 mm to 2134 mm)	65 lbs (29.5 kg)	65 lbs (29.5 kg)	45 lbs (20.4 kg)
84 in to 108 in (2134 mm to 2743 mm)	80 lbs (36.3 kg)	80 lbs (36.3 kg)	50 lbs (22.7 kg)
108 in to 144 in (2743 mm to 3658 mm)	105 lbs (47.6 kg)	85 lbs (38.6 kg)	50 lbs (22.7 kg)
144 in to 180 in (3658 mm to 4572 mm)	145 lbs (65.8 kg)	90 lbs (40.8 kg)	55 lbs (24.9 kg)
180 in to 216 in (4572 mm to 5486 mm)	135 lbs (61.2 kg)	95 lbs (43.1 kg)	55 lbs (24.9 kg)
216 in to 252 in (5486 mm to 6401 mm)	120 lbs (54.4 kg)	95 lbs (43.1 kg)	55 lbs (24.9 kg)
252 in to 288 in (6401 mm to 7315 mm)	110 lbs (49.9 kg)	95 lbs (43.1 kg)	50 lbs (22.7 kg)
288 in to 324 in (7315 mm to 8230 mm)	100 lbs (45.4 kg)	90 lbs (40.8 kg)	50 lbs (22.7 kg)
324 in to 360 in (8230 mm to 9144 mm)	90 lbs (40.8 kg)	85 lbs (38.6 kg)	45 lbs (20.4 kg)



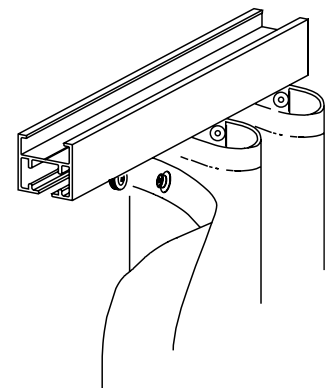
Notes:

- Pinch pleat fullness of 3:1 is allowable for sheer drapes only. All other drapes must have a fullness no greater than 2.5:1
- Curved radius to be 20 in (0.5 m) or greater; 90° is the tightest inside angle possible; smaller angles are not allowed

Ripplefold Capacity

Use this chart to determine the maximum drapery panel size the *D145* drapery system can operate, based on height and weight.

D145 ripplefold system capacity	
System width	Straight track
24 in to 32 in (610 mm to 813 mm)	30 lbs (13.6 kg)
32 in to 44 in (813 mm to 1118 mm)	40 lbs (18.1 kg)
44 in to 56 in (1118 mm to 1422 mm)	55 lbs (24.9 kg)
56 in to 68 in (1422 mm to 1727 mm)	70 lbs (31.8 kg)
68 in to 84 in (1727 mm to 2134 mm)	85 lbs (38.6 kg)
84 in to 108 in (2134 mm to 2743 mm)	105 lbs (47.6 kg)
108 in to 132 in (2743 mm to 3353 mm)	140 lbs (63.5 kg)
132 in. to 168 in. (3353 to 4267 mm)	125 lbs (56.7 kg)
168 in. to 216 in. (4267 mm to 5486 mm)	90 lbs (40.8 kg)



Note: Ripplefold is available in 3 fullness factors: 80%, 100%, 120% (Not available with curved tracks)

Job Name:	Model Numbers:
Job Number:	