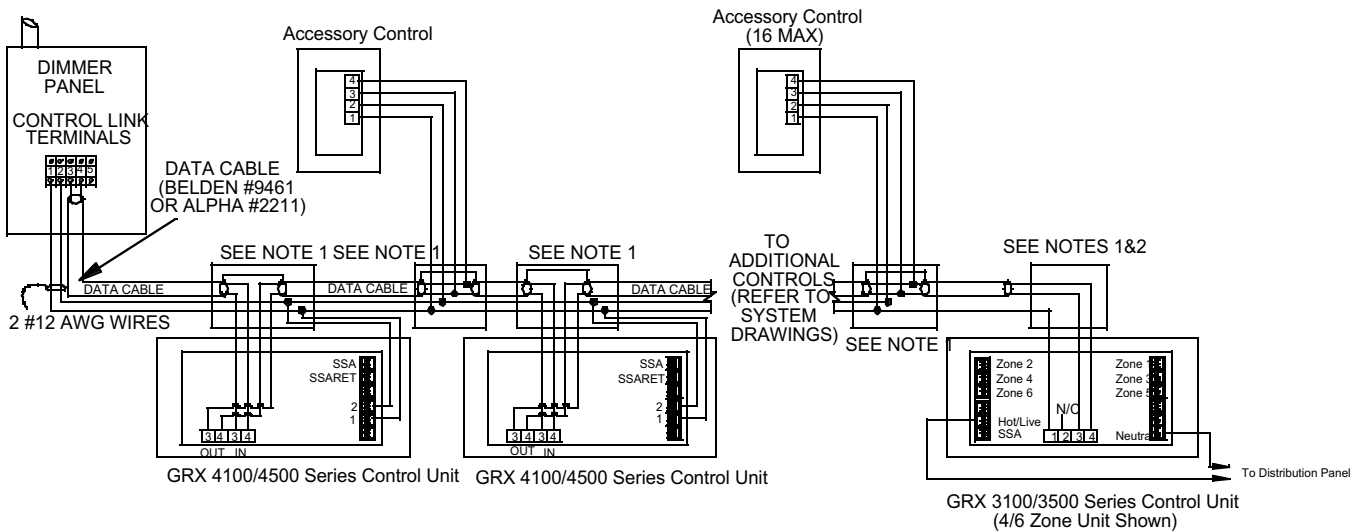


**Overview**

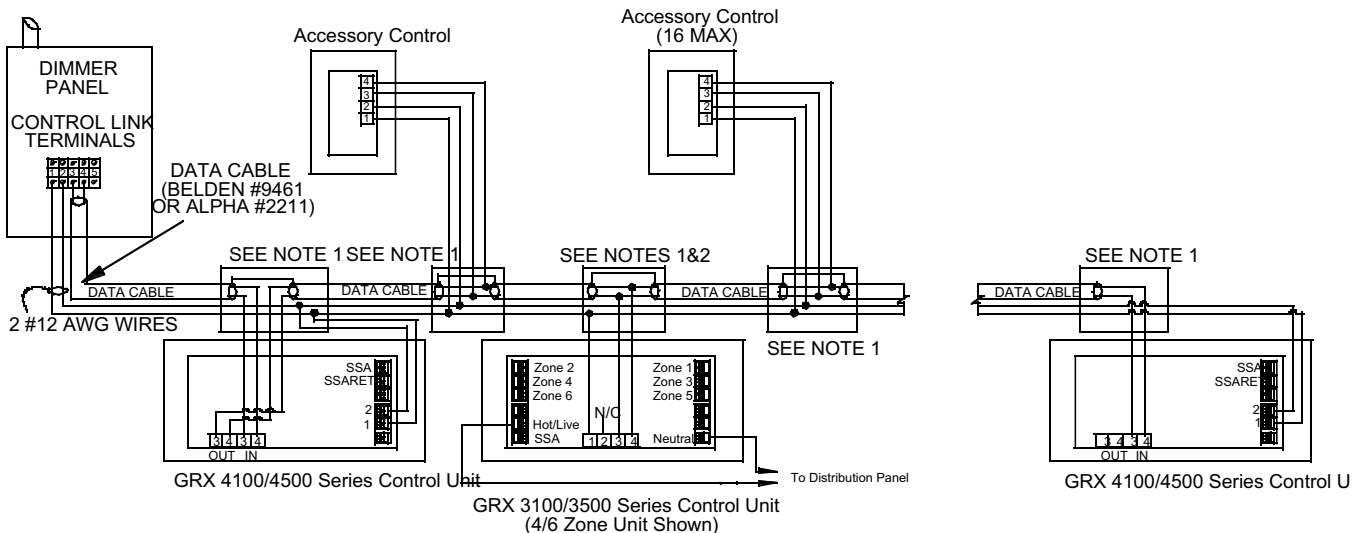
In some installations it may be more efficient to have GRAFIK Eye 3000 Series controls and GRAFIK Eye 4000 Series controls on the same link. This configuration may be beneficial when some spaces in the system have small loads, such as a small conference room within a large building. Additionally, this configuration may work well for situations where a small number of circuits are at a different voltage (requiring a separate Dimming Panel for each in a 4000 System) or where a room having smaller loads is remotely located from the rest of the system.

**Wiring Diagrams**

**GRAFIK Eye 3000 Series on a 4000 Series Link - GRAFIK Eye 3000 at End of Link**



**GRAFIK Eye 3000 Series on a 4000 Series Link - GRAFIK Eye 3000 in Middle of Link**



## Notes

1. Connections to link are made inside Control Unit/Accessory Control backbox or in a junction box (provided by others) located no more than 8 feet from the Control Unit/Accessory Control.
2. Connections to the numbered terminals on the GRAFIK Eye Control Units and Accessories are wired 1:1 with numbered terminals inside the Dimmer Panel.
3. Low Voltage Link wiring must not be run in the same raceway as 120VAC or 277VAC.
4. Total data cable length is not to exceed 2000 feet.
5. A Maximum of 8 Control Units can be on one link.
6. A maximum of 16 Accessory Controls can be on one link (Single Scene Activators are not considered Accessory Controls).
- 7. When connecting the GRAFIK Eye 3000 Series to the GRAFIK Eye 4000 Series Control Link, only connections 1, 3, and 4 are made.**

## Additional Information

### World Headquarters

Lutron Electronics Co., Inc.  
7200 Suter Road  
Coopersburg, PA 18036-1299 U.S.A.  
**TOLL FREE:** (800) 523-9466 (U.S.A., Canada, and the Caribbean)  
Tel: (610) 282-3800; International 1610 282-3800  
Fax: (610) 282-3090; International 1610 282-3090

### European Headquarters

Lutron EA LTD  
Lutron House  
6 Sovereign Close  
Wapping  
London, E1 9HW England  
**FREEPHONE:** 0800 282107 (U.K.)  
Tel: (0171) 702-0657; International 44-171-702-0657  
Fax: (0171) 480-6899; International 44-171-480-6899

### Hong Kong Office

Tel: 2593-1119; International 852-2593-1119  
Fax: 2593-1197; International 852-2593-1197

### Singapore Office

Tel: 487-2820; International 65-487-2820  
Fax: 487-2825; International 65-487-2825

### Japan Office

Lutron Asuka Corporation K.K.  
Kowa Shibakoen Bldg. 2nd Floor  
1-1-11 Shibakoen  
Minato-ku, Tokyo 105-0011, Japan  
**TOLL FREE:** (0120) 083417 (Japan)  
Tel: International 81 3 5405 7333  
Fax: International 81 3 5405 7496

### Worldwide Technical and Sales Assistance

If you need technical assistance, call the toll-free **Lutron Technical Assistance Hotline**. Please provide exact model number when calling. (800) 523-9466 (U.S.A., Canada and the Caribbean) Other countries call:  
Tel: (610) 282-3800; International: 1 610 282-3800  
Fax: (610) 282-3090; International: 1 610 282-1243  
Our address on the Web is [www.lutron.com](http://www.lutron.com)

Lutron and GRAFIK Eye are registered trademarks of Lutron Electronics Co., Inc.