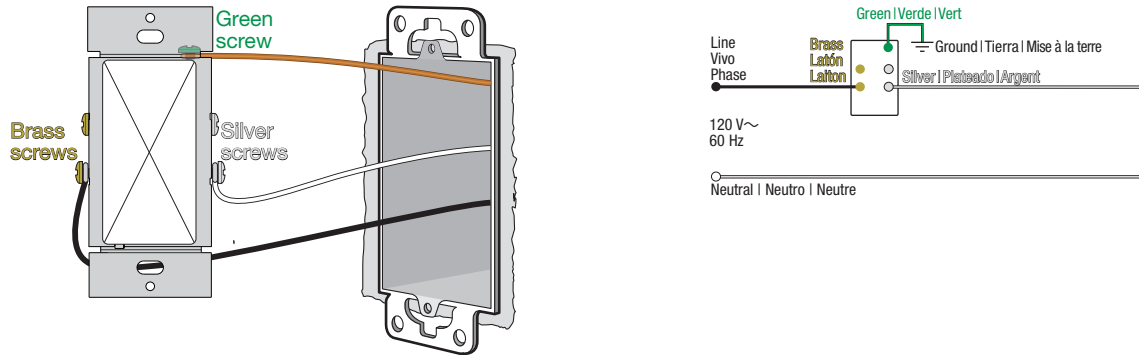


Image #20 – Receptacle with Two Brass Screws and Two Silver Screws



Not sure this is the correct wiring for your Lutron product?

For more information, refer to the Lutron [DIY Wiring Tool](#) or visit the [Lutron Support Center](#).