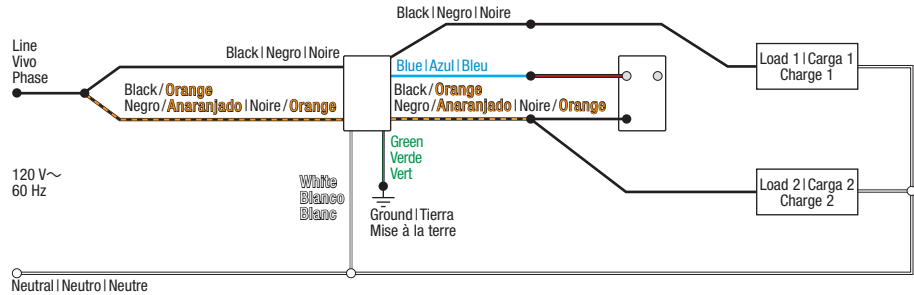
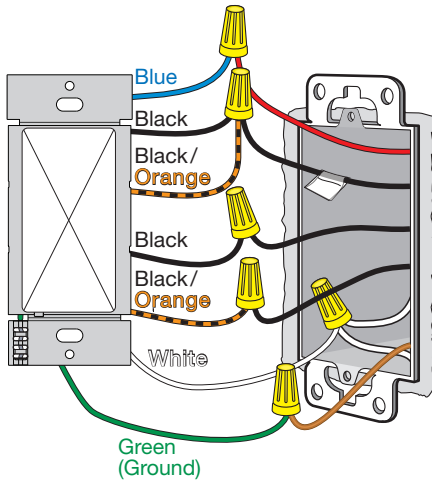


Image #69 — Switch with Two Black Wires, one Blue Wire, Two Black/Orange Wires, and One White Wire in a 3-Way Application



Not sure this is the correct wiring for your Lutron product?

For more information, refer to the Lutron [DIY Wiring Tool](#) or visit the [Lutron Support Center](#).