

# Measuring Guide

## Top Treatment

Serena, Sivoia QS Triathlon, and Sivoia QS Triathlon WIDR Roller Shades

### Important Information

This guide is provided to help you measure an existing roller shade for the purpose of replacing or adding a top treatment. This measurement can be entered into Lutron's Shade Configuration Tool (SCT) as the "Cassette Width."

**NOTES:** Fabric-wrapped fascia is only compatible with Serena, Sivoia QS Triathlon, Cordless Manual, and Sivoia QS Triathlon WIDR Roller Shades.

Triathlon Architectural Fascia is only compatible with Sivoia QS Triathlon, Cordless Manual, and Sivoia QS Triathlon WIDR Roller Shades, and is **not compatible with Serena shades.**

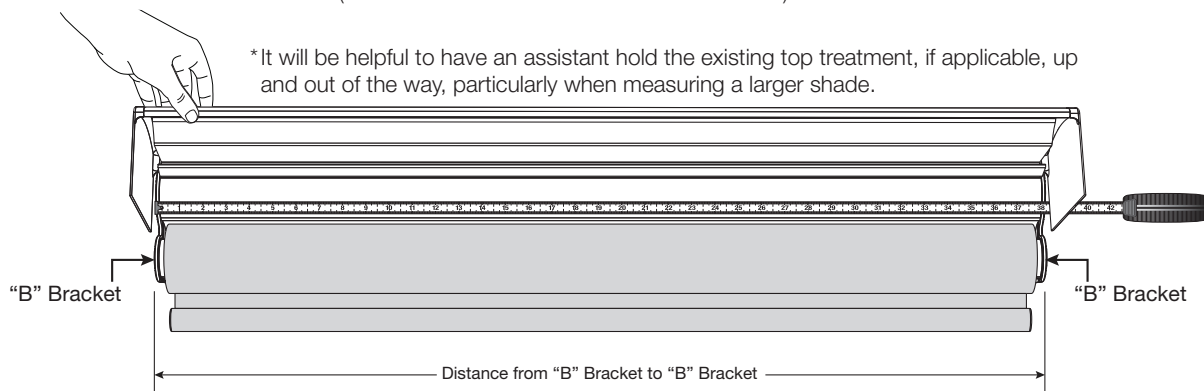
If you have a wired-power Serena or Sivoia QS Triathlon, or a Cordless Manual Roller Shade that was originally built without a top treatment, you cannot add a top treatment to it. You will need to order a new shade instead. (Does not apply to WIDR models.)

### Measuring the Shade

**NOTE:** The following instructions assume the shade is already installed in a window according to the instructions provided with the shade. If the shade is not installed, lay it back-down on a floor, table, or countertop.

#### 1 Measure:

The size of a new top treatment will be calculated based on the width of the shade from "B" bracket to "B" bracket. Extend a measuring tape across the front of the shade cassette\* and measure the distance from "B" bracket to "B" bracket at a location where the fabric roll does not interfere with the measurement (above the fabric roll recommended as shown).



#### 2 Enter in SCT:

##### a. Choose a Top Treatment

From the *Category* menu, choose Serena/Triathlon Fabric-Wrapped Fascia (shown), or Triathlon Architectural Fascia

##### b. Choose the Operator

Identify the shade style and choose the appropriate model from *Operator* menu

##### c. Enter the Measurement

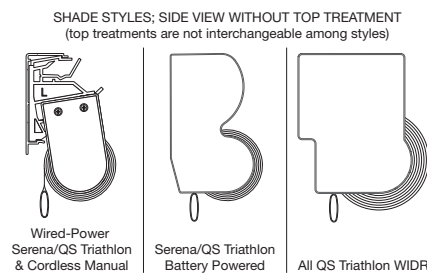
Enter the measurement made in Step 1 in the *Cassette Width* field. SCT will calculate and display the width of your new top treatment.

**IMPORTANT:** After the width of your new top treatment is shown in SCT, you must:

- 1) Measure your installation site to verify that the new top treatment at the size displayed will fit in the available space
- 2) (*Triathlon Architectural Fascia only*) Verify the shade's date of manufacture is compatible with Triathlon Architectural Fascia using the table shown when you click ([Click for details](#))

**Failure to perform these verifications could result in a top treatment that cannot be installed.**

Only after you have confirmed the new top treatment will fit, and if applicable, that the shade's date of manufacture is compatible, check the verification checkbox in SCT to continue.



Shade Trims and Misc.	
Quantity:	<input type="text"/> <a href="#">Room Mark:</a> <input type="text"/>
Category:	Serena/Triathlon Fabric-Wrapped Fascia
Fascia Application:	
Operator:	Cordless Manual Serena QS Triathlon QS Triathlon WIDR

Dimensions (inches)	
Cassette Width (B):	<input type="text"/> <input type="text"/> <input type="text"/>
<input type="checkbox"/> Cassette Width was measured using measuring guide and I verified that Fascia Width fits in my application. ( <a href="#">Click for PDF.</a> )	
<b>AND</b> I verified compatible date of manufacture ( <a href="#">Click for details</a> ).	

Product options may vary depending on application and intended use, and availability is subject to change.. For more information, visit [lutron.com](#)

