






Skylark Contour 1000 W Incandescent/Halogen or 600 VA Magnetic Low-Voltage (MLV) Dimmer

Captive knob slide control with an easy to use rocker switch.

Product Family Features

- On/off rocker switch with a captive slider for a standard designer wallplate opening
- Switch returns load to previous level
- Uses standard single-pole or 3-way wiring for easy installation in any home
- 100% factory tested
- Coordinating Claro and Stainless Steel wallplates available separately
- Available in all Claro gloss colors
- Skylark Contour Family:
 -  Incandescent/Halogen
 -  Electronic Low-Voltage (ELV)
 -  Magnetic Low-Voltage (MLV)
 -  Quiet Fan Speed
 -  Compact Fluorescent (CFL)/LED

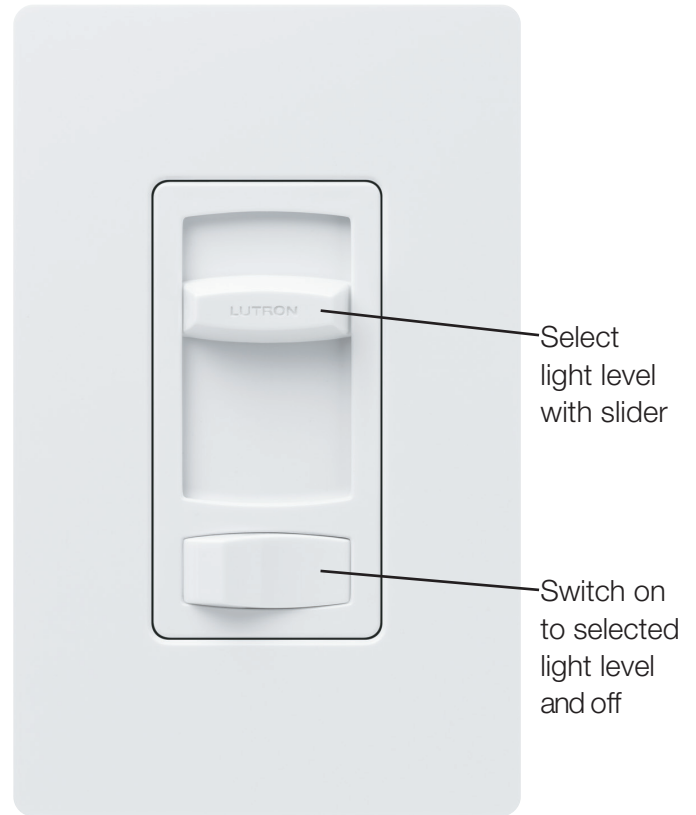
Colors and Finishes

Gloss Finishes

Add color suffix to model #

Example: CT-103P-WH

WH	White
IV	Ivory
AL	Almond
LA	Light Almond
GR	Gray
BR	Brown
BL	Black



Select light level with slider

Switch on to selected light level and off

Wallplate sold separately

Product Specific Features

- Capable of controlling up to 1000 W Incandescent/Halogen or 600 VA Magnetic Low-Voltage (MLV) lighting loads.

Model Number

CT-103P-XX^{1,2} Single pole/3-way³

CT-103PH-XX-C⁴ Single pole/3-way³

Notes:

- ¹ XX Gloss color codes, see section "Colors and Finishes" at left.
- ² For clamshell packaging, add an "H" after the 103P. Clamshell packaged product available in AL, IV, LA, and WH.
- ³ For 3-way and 4-way switching, use Claro switches or other mechanical switches.
- ⁴ Clamshell packaged product for Canada. Available in AL, IV, LA, and WH clamshell.

Job Name:	Model Numbers:
Job Number:	

Specifications

Regulatory Approvals

- UL Listed to US and Canadian safety standards UL1472 / CSA C22.2 184.1
- NOM Certified

Power and Ratings

- 120 V~ 60 Hz
- 1000 W Incandescent/Halogen
or
- 600 VA Magnetic Low-Voltage (MLV)

Environment

- For indoor use only
- Operating temperatures 32 °F (0 °C) to 104 °F (40 °C)

Performance

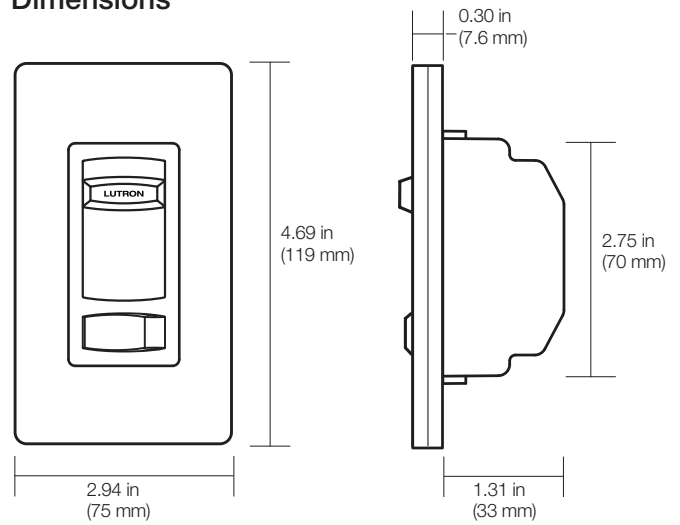
- Power-failure memory
- Captive linear slider
- Electrostatic discharge tested
- Precise color matching
- Mechanical air-gap switch to disconnect load power

Dimmer Capacity Chart

Load Type	No sides removed	1 side removed	2 sides removed
Incandescent/Halogen	1000 W max	800 W max	650 W max
MLV	600 VA max	500 VA max	400 VA max

Note: For actual transformer efficiency, contact either the fixture or transformer manufacturer. The total VA rating of the transformer(s) shall not exceed the VA rating of the dimmer.

Dimensions



Note: Requires a U.S. wallbox 2 1/2 in (64 mm) deep minimum.

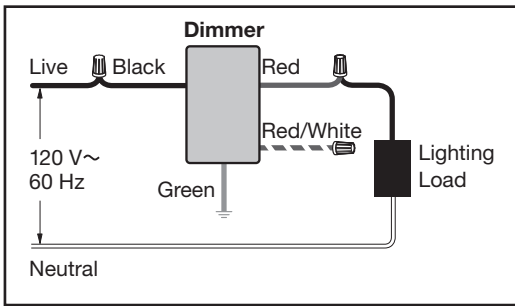
Warranty

- 1 Year Limited Warranty
For additional Warranty information, please visit www.lutron.com/TechnicalDocumentLibrary/369-119_Wallbox_Warranty.pdf

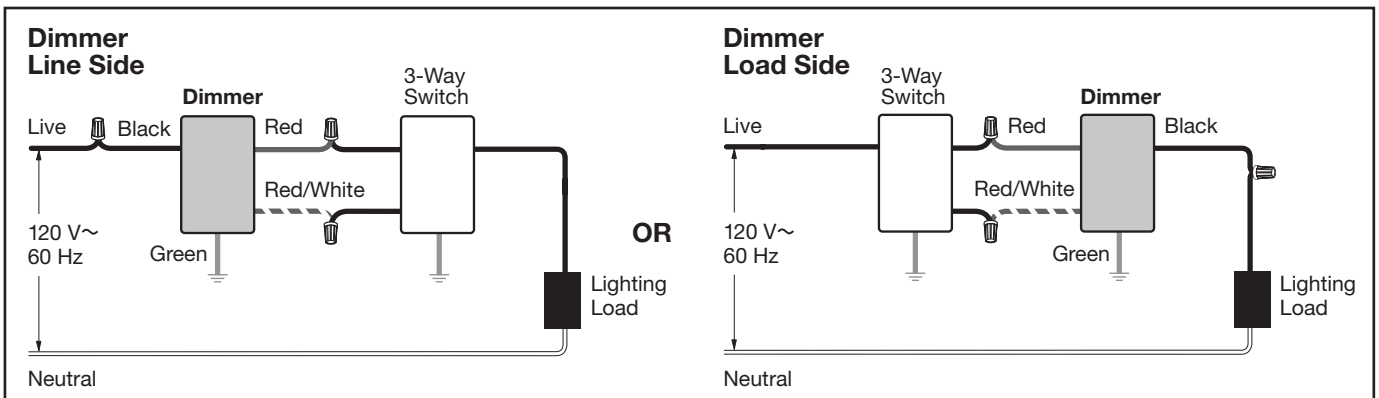
Job Name:	Model Numbers:
Job Number:	

Wiring Diagrams

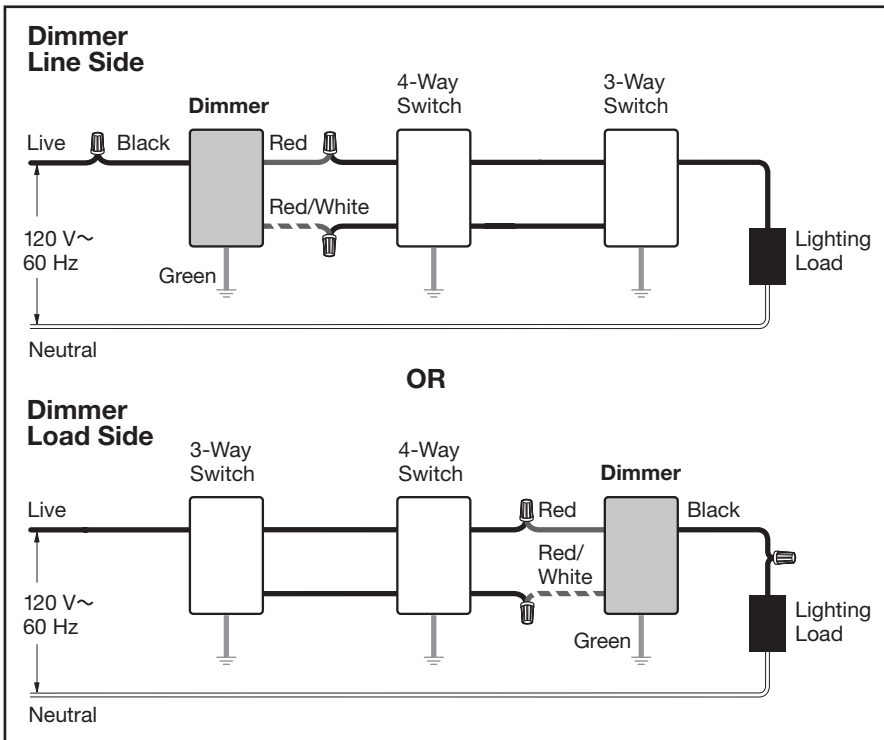
Single-Pole Wiring



3-Way Wiring



4-Way Wiring



Note: Dimmer can be installed on either the line side or load side of the circuit.

Lutron, Lutron, Skylark, Skylark Contour and Claro are trademarks of Lutron Electronics Co., Inc., registered in the U.S. and other countries.

Job Name:	Model Numbers:
Job Number:	