

# Luméa® Quiet Fan Speed Control

Easy-to-use slide control with a push button switch.

## Product Family Features

- On/off push button switch with an easy-to-use slider for a standard designer wallplate opening
- Switch returns load to previous level
- Uses standard single-pole or 3-way wiring for easy installation in any home
- 100% factory tested
- Coordinating Claro® and Stainless Steel wallplates available separately
- Available in select Claro® gloss colors
- Luméa® Family:
  - 💡 Incandescent/Halogen
  - 🔌 Magnetic Low-Voltage (MLV)
  - ✂️ Quiet Fan Speed
  - 💡 Compact Fluorescent (CFL)/LED

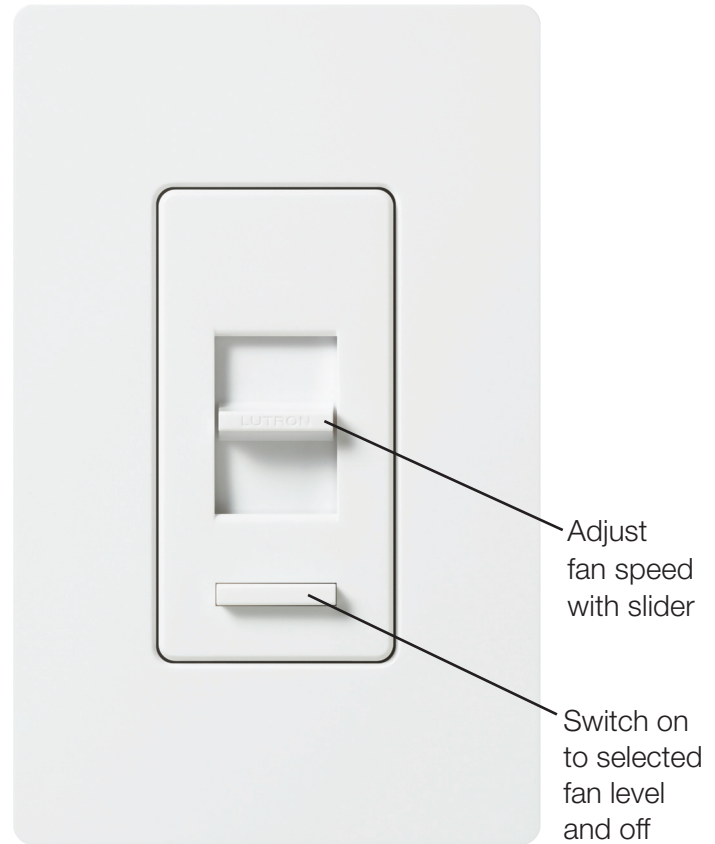
## Select Colors and Finishes

### Gloss Finishes

Add color suffix to model #

**Example: LGFSQ-FH-WH**

WH	White
IV	Ivory
AL	Almond
LA	Light Almond
BL	Black



Wallplate sold separately

## Product Specific Features

- Quiet 3-speed control for use with one ceiling paddle fan

## Model Number

**LGFSQ-FH-XX<sup>1</sup>** Single pole/3-way<sup>2</sup>, 3-speed 1.5 A

### Notes:

<sup>1</sup> **XX** Gloss color codes, see section “Select Colors and Finishes” at left

<sup>2</sup> For 3-way and 4-way switching, use Claro® switches or other mechanical switches.

<b>Job Name:</b>	<b>Model Numbers:</b>
<b>Job Number:</b>	

## Specifications

### Regulatory Approvals

- UL Listed to US safety standard UL 1917
- CSA Certified to Canadian safety standard CSA-C22.2 156-M1987

### Power and Ratings

- 120 V~ 60 Hz
- 1.5 A Ceiling Paddle Fan

### Environment

- For indoor use only
- Operating temperatures 32 °F (0 °C) to 104 °F (40 °C)

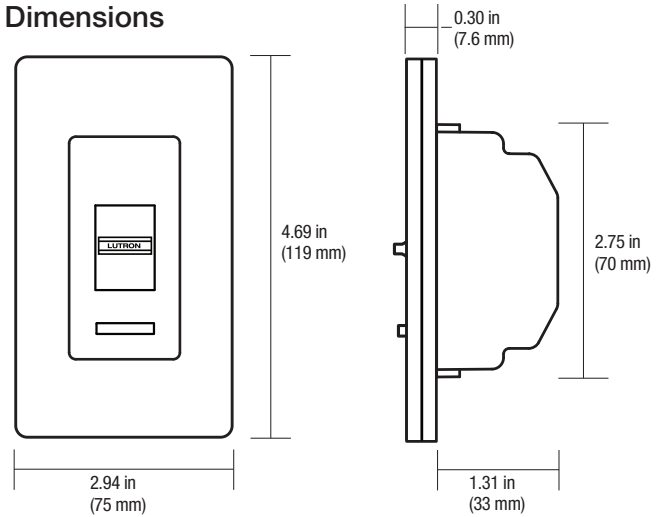
### Performance

- Power-failure memory
- Linear slider
- Electrostatic discharge tested
- Precise color matching
- Mechanical air-gap switch to disconnect load power

### Fan Speed Control Capacity Chart

Fan Rating	No sides removed	1 side removed	2 sides removed
1.5 A	1.5 A max	1.5 A max	1.5 A max

### Dimensions



**Note:** Requires a U.S. wallbox. 2 ½ in (64 mm) deep minimum.

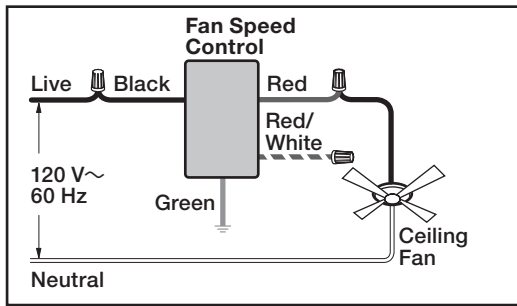
### Warranty

- 1 Year Limited Warranty  
For additional Warranty information, please visit [http://www.lutron.com/TechnicalDocumentLibrary/369-119\\_Wallbox\\_Warranty.pdf](http://www.lutron.com/TechnicalDocumentLibrary/369-119_Wallbox_Warranty.pdf)

<b>Job Name:</b>	<b>Model Numbers:</b>
<b>Job Number:</b>	

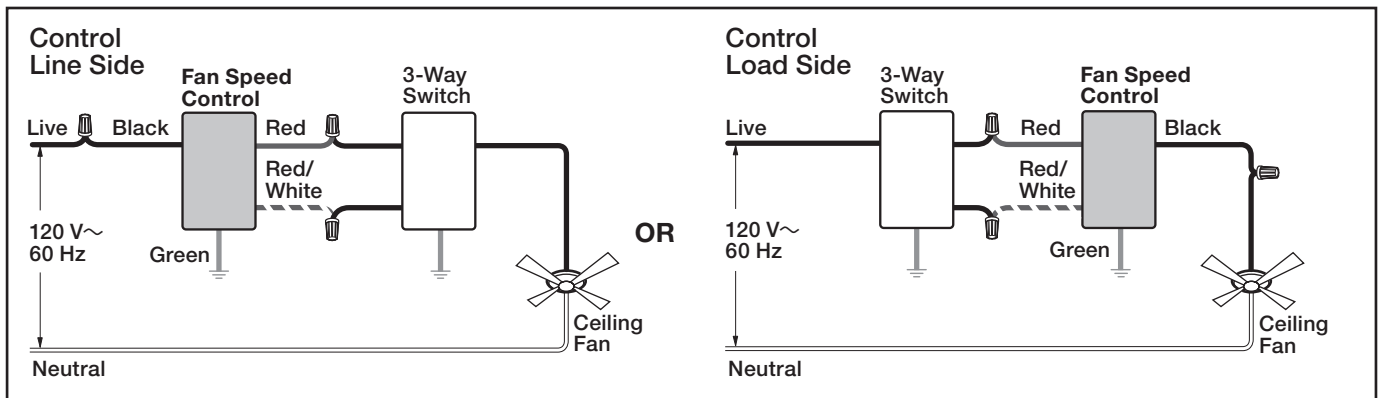
## Wiring Diagrams

### Single-Pole Wiring

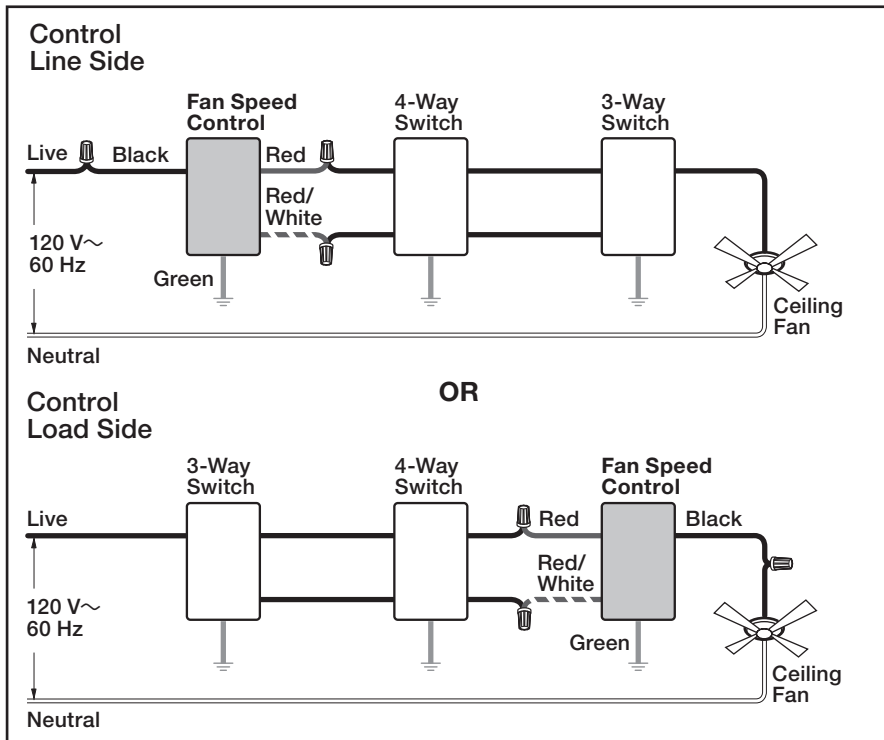


**Note:** Luméa® Quiet Fan Speed Controls are designed to control ceiling fan motors only. Do not use to control ceiling fan lighting or lighting fixtures.

### 3-Way Wiring



### 4-Way Wiring



**Note:** Fan Speed Control can be installed on either the line side or load side of the circuit.

Job Name:	Model Numbers:
Job Number:	