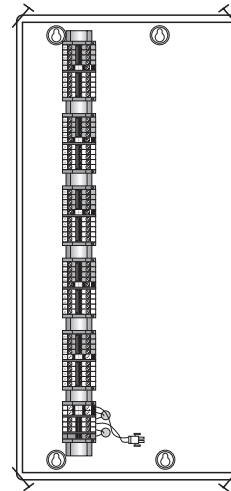


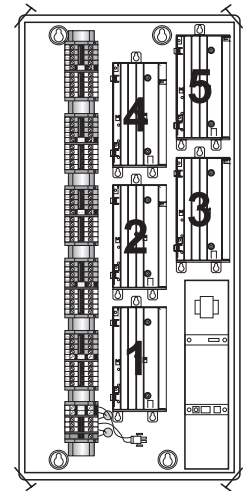
Control panels

Control panels are available in two different sizes, each of which may be either surface-mounted or recess-mounted in an electrical closet or other equipment room. The number of control panels—and the types of components within them—may be specified to fit the size, lighting plan, and design of a home. Control panels may be distributed throughout the home for added flexibility during installation of the line-voltage wiring.

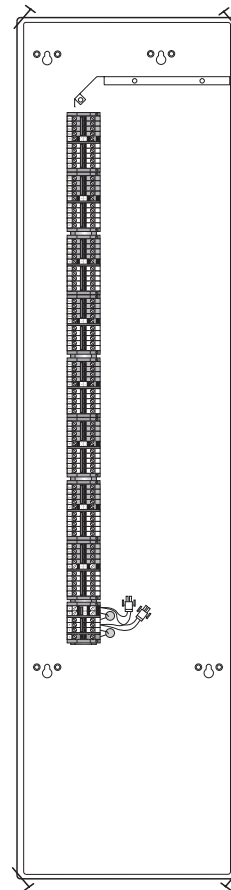
Control panels may contain optional components (sold separately) including Filter Choke Assembly, Module Interface, PowerKit, Power Supply Unit, Processor(s), Remote Power Module(s) (RPM), Ten Volt Modules (TVM), and Wire Landing Board(s).



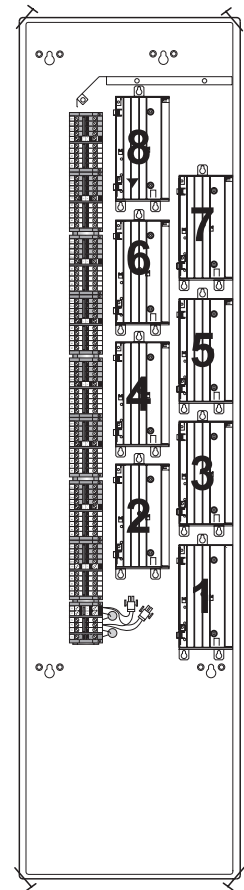
HWI-PNL-5
HWI-PNL-5-CE



Shown with optional
RPMs and one Module
Interface installed



HWI-PNL-8
HWI-PNL-8-CE



Shown with optional
RPMs installed

Model Numbers

HWI-PNL-5

HWI-PNL-5-CE

HWI-PNL-8

HWI-PNL-8-CE

Control panels

Specifications

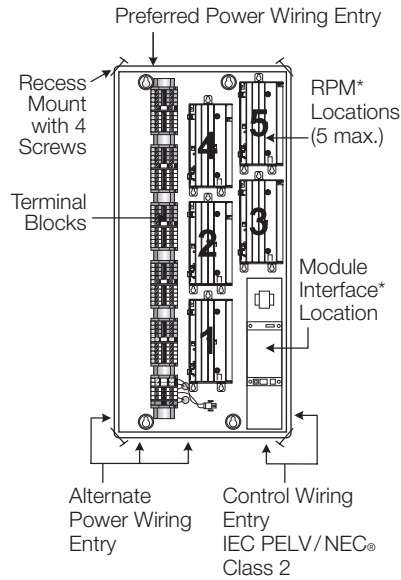
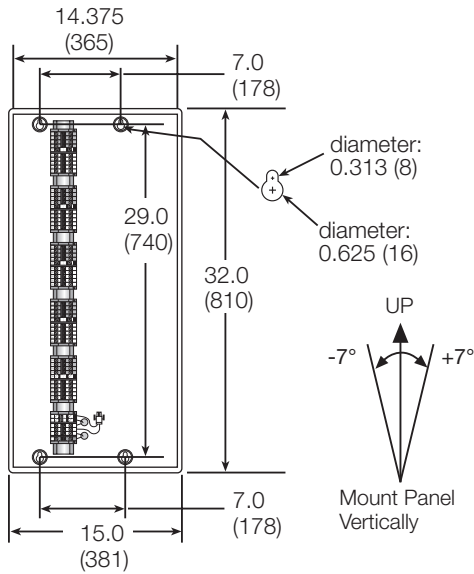
Model Numbers	HWI-PNL-5; HWI-PNL-5-CE HWI-PNL-8; HWI-PNL-8-CE
Power	120 V~ Power Input 50/60 Hz 2 A (HWI-PNL-5, HWI-PNL-8) 220-240 V~ Power Input 50/60 Hz 2 A (HWI-PNL-5-CE, HWI-PNL-8-CE)
Capacity	HWI-PNL-5, HWI-PNL-5-CE: Five RPMs* in any combination and one Module Interface HWI-PNL-8, HWI-PNL-8-CE: Eight RPMs* in any combination, one Module Interface, one PowerKit, one Processor, up to two Power Supply units and/or Wire Landing Boards (WLB) * 120 V~ HW-RPM-4A, HW-RPM-4U, HW-RPM-4FSQ, HW-RPM-4M, HW-RPM-4R 220-240 V~ HW-RPM-4A, HW-RPM-4E, HW-RPM-4U, HW-RPM-4M, HW-RPM-4R
Regulatory Approvals	UL, cULus, NOM (HWI-PNL-5, HWI-PNL-8) CE (HWI-PNL-5-CE, HWI-PNL-8-CE)
Environment	Ambient operating temperature: 32 °F to 104 °F (0 °C to 40 °C), 0 to 90% humidity, non-condensing. Indoor use only.
Cooling	Passive cooling
Line-Voltage Connections	DIN rail-mounted terminal blocks provided for line-voltage remote power module, module interface, and power supply wiring
DIN Rail Terminal Blocks	Terminal blocks will accept one 18 to 10 AWG (0.75 to 6.0 mm ²) wire. Terminal blocks should be tightened to 3.5 to 5.0 in-lb (0.40 to 0.57 N•m).
Ground Bar Terminals	PNL-5, PNL-5-CE, PNL-8: 23 ground termination points; PNL-8-CE: 46 ground termination points
Miswire Protection	All terminal blocks are shipped with bypass jumpers installed. After verifying that each circuit is wired correctly, remove the bypass jumpers for system operation
Dimensions	HWI-PNL-5 and HWI-PNL-5-CE Control Panel: 14.375 in (365 mm) x 32 in (813 mm) x 3.875 in (98 mm) Cover: 15.875 in (403 mm) x 32.5 in (826 mm) HWI-PNL-8 and HWI-PNL-8-CE Control Panel: 14.375 in (365 mm) x 59 in (1498 mm) x 4.125 in (105 mm) Cover: 15.875 in (403 mm) x 59.5 in (1511 mm)
Mounting	Control Panel may be surface-mounted or recess-mounted. Control Panel fits between standard 16 in (41 cm) on-center stud framing. Mount the Control Panel so that line-voltage wiring will be at least 6 ft (1.8 m) from audio or electronic equipment and wiring. Mount Control Panel using one of the following methods (mounting hardware is not provided): a. Surface-Mount – Use keyholes with bolts sufficient for 100 lb (45 kg) load, 1/4 in (M6) bolts recommended. b. Recess-Mount – Use screws sufficient for 100 lb (45 kg) through the corners of the Control Panel. Mount Control Panel fully into the stud bay, with the back flush against the inner wall surface. Control Panel is 4.09 in (104 mm) deep past cover mounting tabs (including pedestal). NOTICE: This equipment is air-cooled. Mount in a location where the vented cover will not be blocked. 12 in (305 mm) of clearance in front of the vents is required. NOTICE: Power supply will hum slightly and internal relays will click while in use. Mount in a location where such noise is acceptable.
Construction	Control Panel: 16-gauge galvanized sheet metal (unpainted). Cover: Coated metal cover with ventilation holes. Cover is attached using phillips-head screws (included)
Warranty	http://www.lutron.com/TechnicalDocumentLibrary/HomeWorks_Warranty.pdf http://www.lutron.com/TechnicalDocumentLibrary/HomeWorks_Intl_Warranty.pdf

Control panels

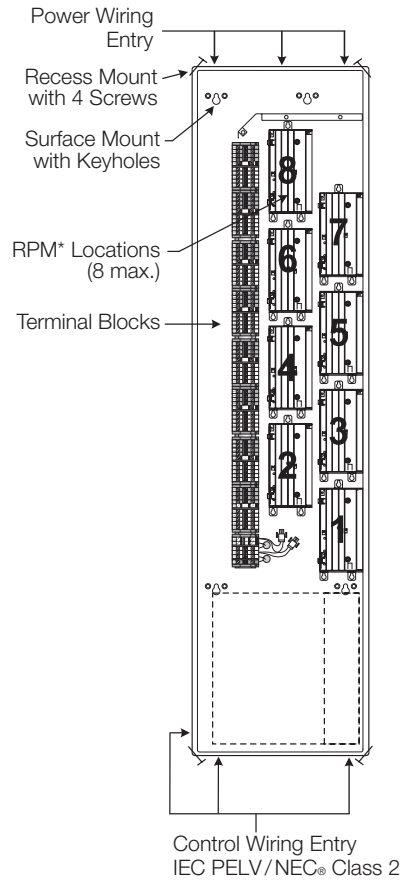
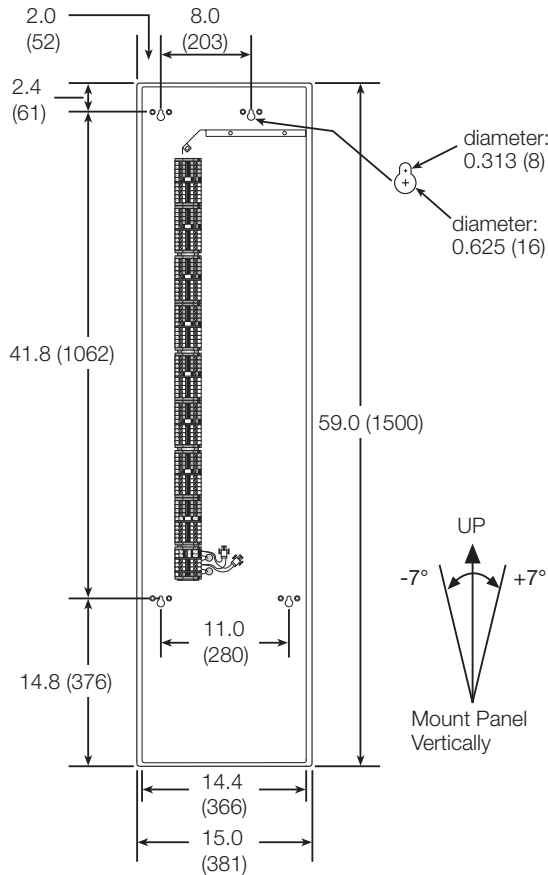
Dimensions and Mounting

Measurements shown as: in (mm)

HWI-PNL-5 and HWI-PNL-5-CE



HWI-PNL-8 and HWI-PNL-8-CE

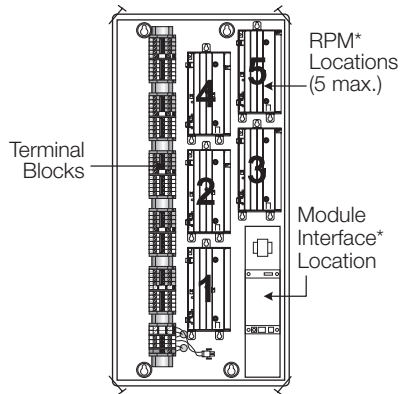


* Components sold separately

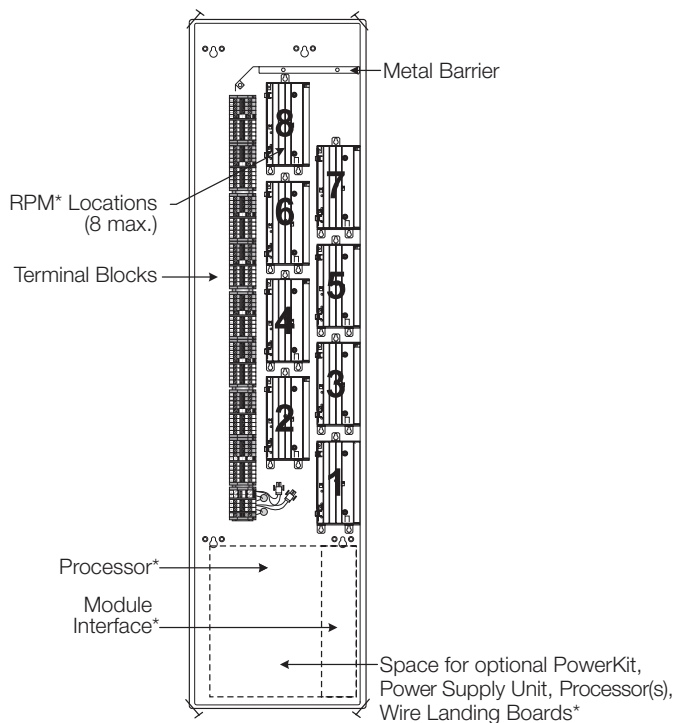
Control panels

Configurations

HWI-PNL-5 and HWI-PNL-5-CE



HWI-PNL-8 and HWI-PNL-8-CE



Note: Filter choke assembly may be installed in place of module 8.
 0-10 V modules may be installed in place of module 8 and metal barrier. See Application Note #234 "Using a Ten Volt Module (TVM) Kit to Control LED and Fluorescent Fixtures" at www.lutron.com for more details.

* Components sold separately

Lutron and HomeWorks are trademarks or registered trademarks of Lutron Electronics Co., Inc. in the US and/or other countries.