

## Fixture Control Digital Link Interface

The fixture control digital link interface can be used in-fixture to power the Athena wireless node or the Vive integral fixture control when a separate power supply is required.

### Models

Model Number	Description
DFC-OEM-DBI	Fixture control digital link interface

### Features

- Can be used in-fixture to power the Athena wireless node when used with DALI-2 and ANSI C137.1 compliant 0–10 V<sub>DC</sub> drivers without integrated power supplies
- Provides power to the Vive integral fixture control and communication links when used with Lutron EcoSystem drivers
- DALI-2 certified 60 mA bus power supply
- Works with EcoSystem, DALI, or DALI-2 compliant LED drivers

## Specifications

### Regulatory Approvals

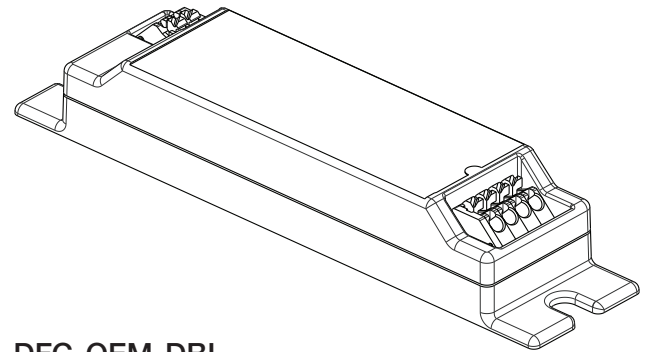
- cULus Recognized
- NOM
- CE
- Meets IEC 62386-101 Ed. 2.1

### Power/Load

- Operating voltage: 120–277 V<sub>AC</sub> 50/60 Hz
- Input current: 0.05 A max
- Output voltage: 18 V<sub>DC</sub>
- Output current: 60 mA guaranteed output current, 250 mA max

### Environmental

- Ambient operating temperature: 32 °F to 140 °F (0 °C to 60 °C), 0%–90% humidity, non-condensing; indoor use only
- Maximum rated temperature @ (T<sub>C</sub>) for warranty: 70 °C (158 °F)



DFC-OEM-DBI

### Warranty

- 5 Year Limited Warranty. For additional warranty information, please visit [https://assets.lutron.com/a/documents/3601201A\\_Commercial\\_Limited\\_Warranty.pdf](https://assets.lutron.com/a/documents/3601201A_Commercial_Limited_Warranty.pdf)

### Mounting

- Fixture control digital link interface must be mounted inside a fixture (it must not be used for external/remote mounting)

### Wiring

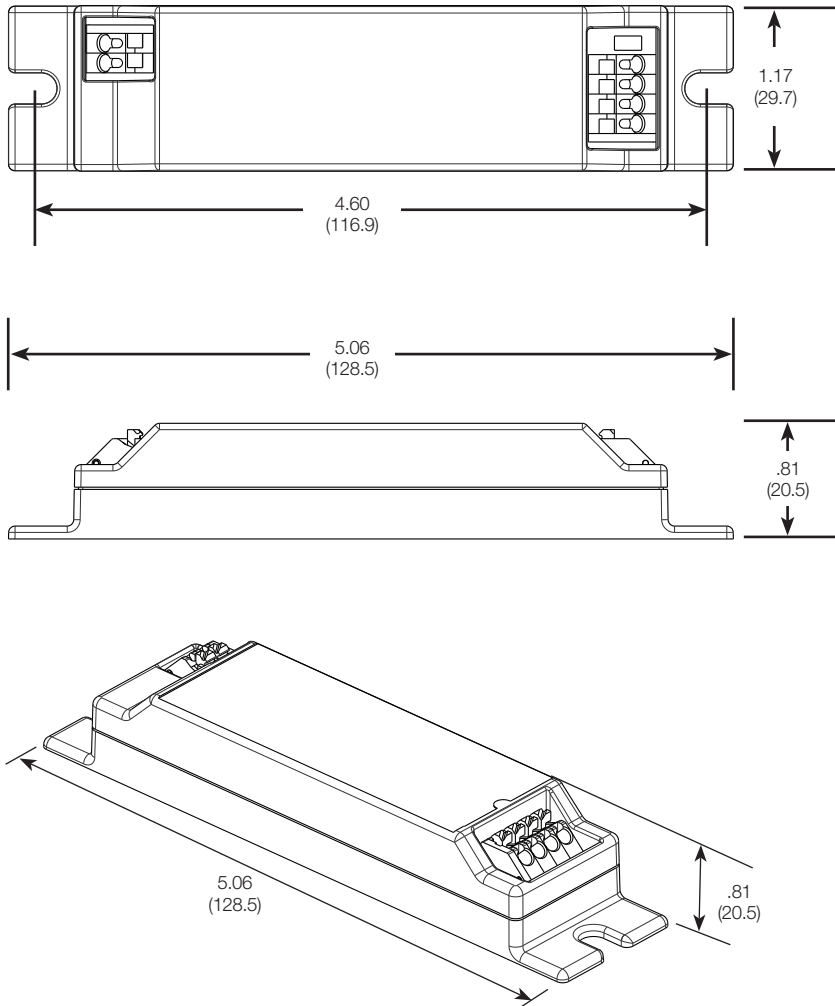
- May be used to power one of the following:
  - Athena wireless node (A-WN)
  - Vive integral fixture control (DFCSJ)
- For wiring with the Athena wireless node, please see Athena wireless node spec submittal at [https://assets.lutron.com/a/documents/3691234\\_eng.pdf](https://assets.lutron.com/a/documents/3691234_eng.pdf)
- For wiring with the Vive integral fixture control, please see the Vive integral fixture control spec submittal at <https://assets.lutron.com/a/documents/3691039.pdf>

Job Name:	Model Numbers:
Job Number:	

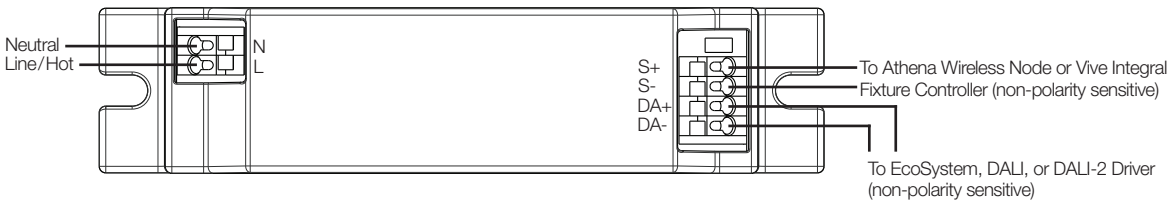
### Dimensions

Shown as: in (mm)

#### DFC-OEM-DBI



### Wiring



The Lutron logo, Lutron, Vive, EcoSystem, and Athena are trademarks or registered trademarks of Lutron Electronics Co., Inc. in the US and/or other countries. All other product names, logos, and brands are property of their respective owners.

**LUTRON** SPECIFICATION SUBMITTAL

Job Name:	Model Numbers:
Job Number:	