

# HomeWorks Wired seeTouch Designer Keypads

HomeWorks seeTouch keypads provide homeowners with a simple and elegant way to operate lights, shades/draperies, motorized screens, thermostats, and many other devices.

HomeWorks seeTouch keypads feature large, easy-to-use buttons, plus a unique backlit engraving option that makes the keypads readable any time of the day or night. seeTouch buttons are rounded, allowing engraving to be displayed at an upward angle, increasing readability.

Replacement Kits are available in a variety of colors and with custom engraving to clearly identify each button's function. The flexible design of the keypads allows the color, number of buttons, and button configuration to be changed by installing a new engraved Replacement Kit.

HomeWorks wired seeTouch models have two contact closure inputs on the back of the unit which provide independent functions from the front buttons. Other options include configurations with infrared receiver and raise/lower buttons.

Use Lutron Designer (Claro or Satin Colors) wallplates. Wallplates are sold separately. Lutron Claro and Satin Colors wallplates snap on with no visible means of attachment.



## Model Numbers

HQWD-W1B-XX*	1 Button Keypad
RKD-W1B-XX*-E	Engraved Replacement Kit
HQWD-W2BS-XX*	2 Button Keypad
RKD-W2BS-XX*-E	Engraved Replacement Kit
HQWD-W3BS-XX*	3 Button Keypad
RKD-W3BS-XX*-E	Engraved Replacement Kit
HQWD-W3BSRL-XX*	3 Button with Raise/Lower Keypad
RKD-W3BSRL-XX*-E	Engraved Replacement Kit
HQWD-W3S-XX*	3 Scene with Raise/Lower Keypad
RKD-W3S-XX*-E	Engraved Replacement Kit
HQWD-W4BS-XX*	4 Button Keypad
RKD-W4BS-XX*-E	Engraved Replacement Kit
HQWD-W4S-XX*	4 Scene with Raise/Lower Keypad
RKD-W4S-XX*-E	Engraved Replacement Kit
HQWD-W5B-XX*	5 Button Keypad
RKD-W5B-XX*-E	Engraved Replacement Kit
HQWD-W5BRL-XX*	5 Button with Raise/Lower Keypad
RKD-W5BRL-XX*-E	Engraved Replacement Kit

HQWD-W5BIR-XX*	5 Button with Raise/Lower Keypad and Infrared Receiver
RKD-W5BIR-XX*-E	Engraved Replacement Kit
HQWD-W6B-XX*	6 Button Keypad
RKD-W6B-XX*-E	Engraved Replacement Kit
HQWD-W6BRL-XX*	6 Button with Raise/Lower Keypad
RKD-W6BRL-XX*-E	Engraved Replacement Kit
HQWD-W7B-XX*	7 Button Keypad
RKD-W7B-XX*-E	Engraved Replacement Kit
HQWD-W1RLD-XX*-E	Dual Group with Raise/Lower Keypad
RKD-W1RLD-XX*	Engraved Replacement Kit
HQWD-W2RLD-XX*	Dual Group with Dual Raise/Lower Keypad
RKD-W2RLD-XX*-E	Engraved Replacement Kit
HQWD-W3BD-XX*	Dual Group Keypad
RKD-W3BD-XX*-E	Engraved Replacement Kit

\*\*XX" in the model number represents color/finish code. See **Colors and Finishes** at end of document.

# HomeWorks Wired seeTouch Designer Keypads

## Specifications

<b>Model Numbers</b>	<p><b>Keypads:</b> HQWD-W1B, HQWD-W2BS, HQWD-W3BS, HQWD-W3BSRL, HQWD-W3S, HQWD-W4BS, HQWD-W4S, HQWD-W5B, HQWD-W5BRL, HQWD-W5BIR, HQWD-W6B, HQWD-W6BRL, HQWD-W7B, HQWD-W1RLD, HQWD-W2RLD, HQWD-W3BD</p> <p><b>Replacement Kits:</b> RKD-W1B-XX-E, RKD-W2BS-XX-E, RKD-W3BS-XX-E, RKD-W3BSRL-XX-E, RKD-W3S-XX-E, RKD-W4BS-XX-E, RKD-W4S-XX-E, RKD-W5B-XX-E, RKD-W5BRL-XX-E, RKD-W5BIR-XX-E, RKD-W6B-XX-E, RKD-W6BRL-XX-E, RKD-W7B-XX-E, RKD-W1RLD-XX-E, RKD-W2RLD-XX-E, RKD-W3BD-XX-E</p>
<b>Power</b>	24–36V $\overline{=}$ 30 mA SELV/PELV/NEC <sup>®</sup> Class 2
<b>Typical Power Consumption</b>	0.6 W; 1 Power Draw Unit (PDU) Test conditions: all backlights on medium intensity, two LEDs on (two presets active), keypad powered at 24 V $\overline{=}$
<b>Regulatory Approvals</b>	UL <sup>®</sup> , cUL <sup>®</sup> , NOM, FCC, IC, CE, UKCA
<b>Environment</b>	Ambient operating temperature: 32 °F to 104 °F (0 °C to 40 °C), 0% to 90% humidity, non-condensing. Indoor use only.
<b>Communications</b>	Connects to QS wired device link on HomeWorks processor.
<b>ESD Protection</b>	Tested to withstand electrostatic discharge without damage or memory loss, in accordance with IEC 61000-4-2.
<b>Surge Protection</b>	Tested to withstand surge voltages without damage or loss of operation, in accordance with IEEE C62.41-1991 Recommended Practice on Surge Voltages in Low-Voltage AC Power Circuits.
<b>Power Failure</b>	Power failure memory: should power be interrupted, the keypad will return to its previous state when power is restored.
<b>Mounting</b>	U.S. wallbox 3 1/2 in (89 mm) deep, 2 1/4 in (57 mm) deep minimum, or low-voltage mounting bracket
<b>Wiring</b>	Control wire must be 1 pair 18 AWG (1.0 mm <sup>2</sup> ) SELV/PELV/NEC <sup>®</sup> Class 2 for power and 1 pair 22 AWG to 18 AWG (0.5 mm <sup>2</sup> to 1.0 mm <sup>2</sup> ) SELV/PELV/NEC <sup>®</sup> Class 2 twisted/shielded for data (see <b>Wiring</b> ).
<b>Warranty</b>	<a href="http://www.lutron.com/TechnicalDocumentLibrary/Warranty.pdf">www.lutron.com/TechnicalDocumentLibrary/Warranty.pdf</a>

## Design Features

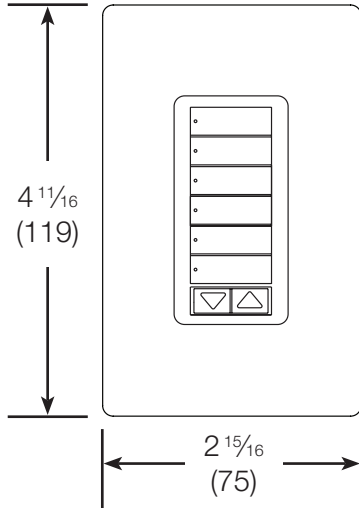
- Green status LEDs.
- Backlit button/engraving.
- Field-changeable Replacement Kits make for easy customization.
- All terminal block inputs are over-voltage and miswire-protected against wire reversals and shorts.
- Use Lutron Designer (Claro or Satin Colors) wallplates. Wallplates are sold separately.
- Lutron Claro and Satin Colors wallplates snap on with no visible means of attachment.
- Use Replacement Kits to change color, button configuration, or engraving.

# HomeWorks Wired seeTouch Designer Keypads

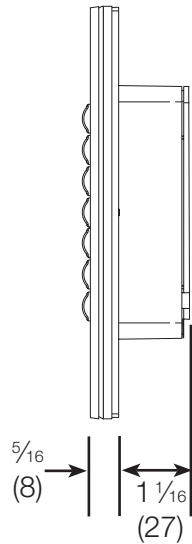
## Dimensions

All dimensions are shown as  $\frac{\text{in}}$  (mm)

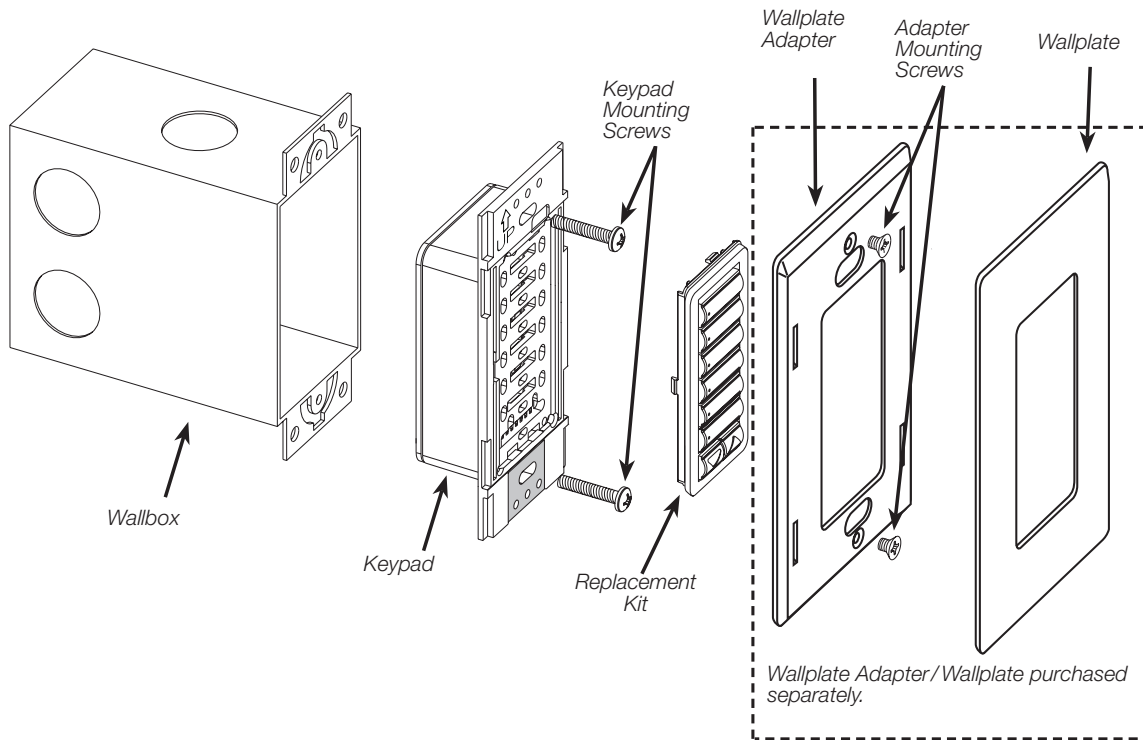
**Front View**



**Side View**

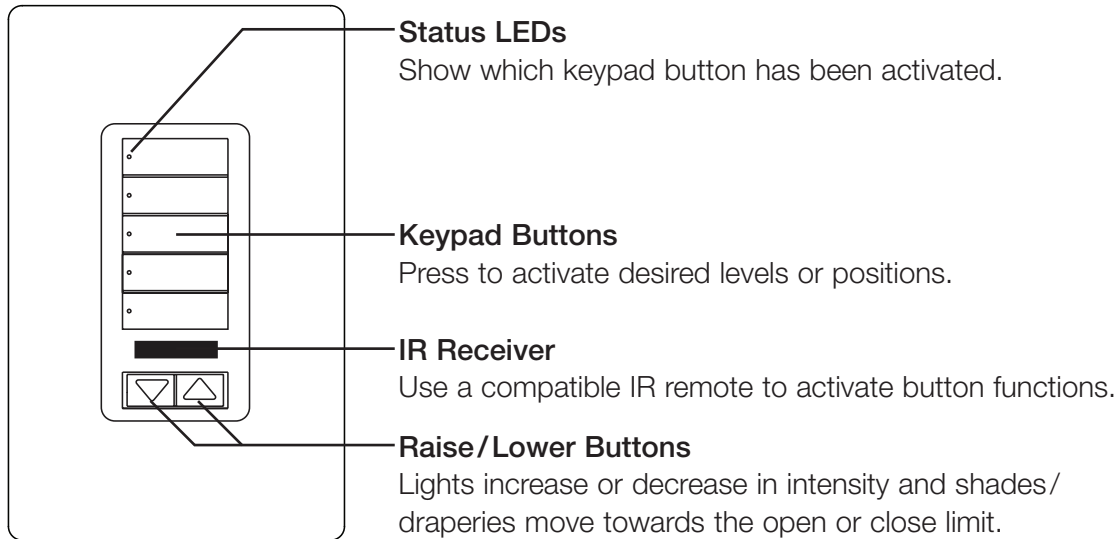


## Mounting and Parts Identification



# HomeWorks Wired seeTouch Designer Keypads

## Operation

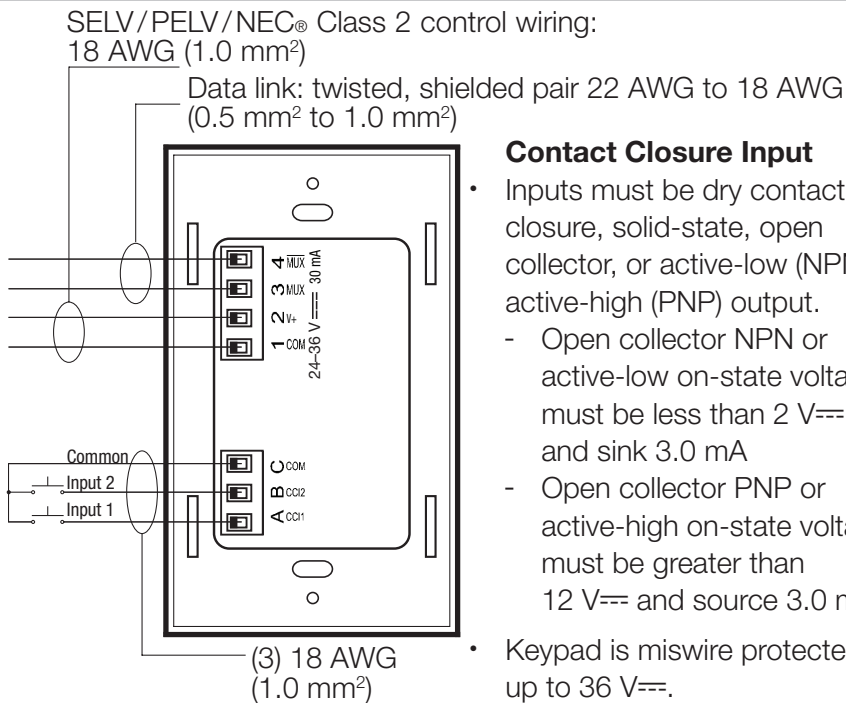


# HomeWorks Wired seeTouch Designer Keypads

## Wiring

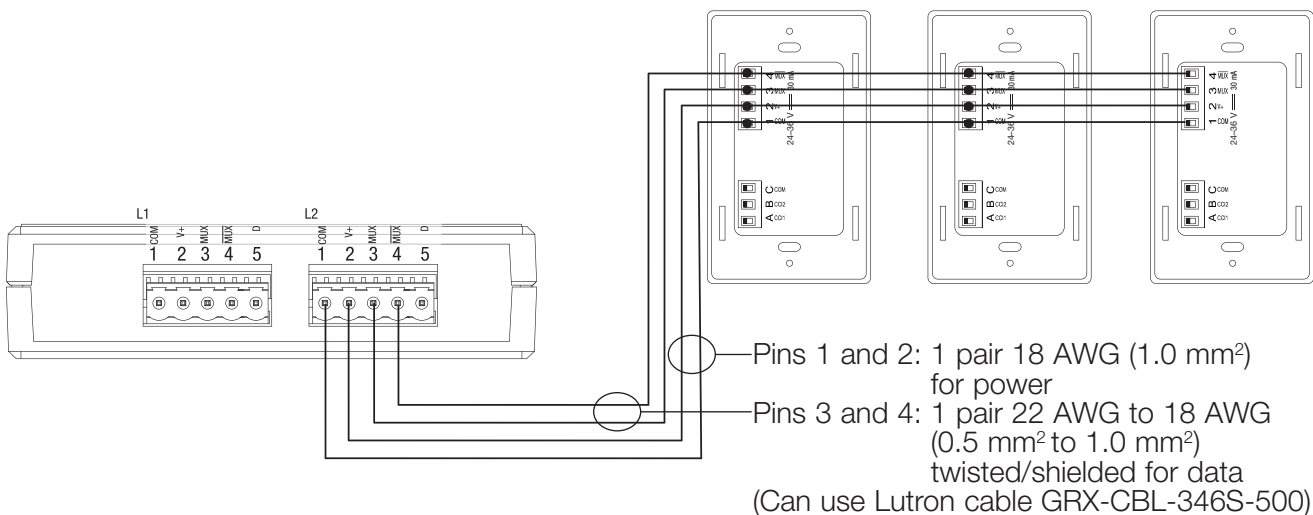
### Wiring Notes

- Keypad wiring may be in a daisy-chain, star or T-tap configuration.
- The total length of wire on a QS wired link is not to exceed 2000 ft (610 m).
- Up to 100 devices can be connected to the QS wired link. This can include seeTouch keypads along with other devices as defined in the Lutron Designer software.
- An external power supply may be required depending on the total current draw of all wired devices on the processor link.



### Contact Closure Input

- Inputs must be dry contact closure, solid-state, open collector, or active-low (NPN) / active-high (PNP) output.
  - Open collector NPN or active-low on-state voltage must be less than 2 V<sub>DC</sub> and sink 3.0 mA
  - Open collector PNP or active-high on-state voltage must be greater than 12 V<sub>DC</sub> and source 3.0 mA
- Keypad is miswire protected up to 36 V<sub>DC</sub>.
- Outputs must stay in the closed or open states for at least 40 msec in order to be recognized by the keypad.



# HomeWorks Wired seeTouch Designer Keypads

## Colors and Finishes

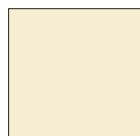
### Gloss Finishes



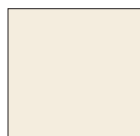
White  
WH



Ivory  
IV



Almond  
AL



Light  
Almond  
LA



Gray  
GR



Brown  
BR



Black  
BL

### Satin Finishes



Snow  
SW



Midnight  
MN



Taupe  
TP



Biscuit  
BI



Palladium  
PD



Hot  
HT

For the latest color offerings see our website:  
<http://www.lutron.com/satincolors>

- Due to printing limitations, colors and finishes shown cannot be guaranteed to perfectly match actual product colors.
- Color chip keychains are available for more precise color matching:  
Gloss Finishes: DG-CK-1;  
Satin Finishes: SC-CK-1

### Metal Finish (wallplate only)



Stainless Steel  
SS

When using Stainless Steel wallplates, it is recommended to order the keypad in Midnight (MN).