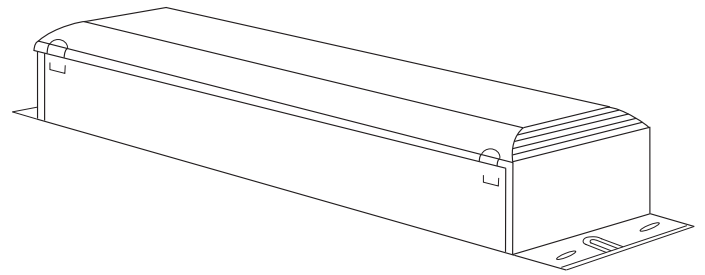


Ballast Control Interface

The Ballast Control Interface (BCI) provides an interface for 0–10 V_{DC} controllers to work with Lutron 3-wire dimmable ballasts, drivers, or interfaces (120–277 V_{AC}).



Features

- Controls up to 16 A of Lutron 3-wire dimmable ballasts, drivers, or interfaces
- Requires 120–277 V_{AC} 50/60 Hz power for internal operations
- Intended for installation into Listed Luminaire or Listed NEMA Type 1 enclosures

Model Available:

- BCI-0-10

Job Name:	Model Numbers:
Job Number:	

Specifications

Regulatory Approvals

- UL® Listed
- Listed Energy Management Equipment 5C81
- CSA Listed

Power / Performance

- Control Input Voltage: 0–10 V_{DC}
- Control Input Current: Source 500 μA
- Compatible Voltage: 120–277 V_{AC} 50/60 Hz
(phase independent of 0–10 V_{DC} dimming)

Key Design Features

- Capable of interfacing 0–10 V_{DC} controllers to Lutron 3-wire dimmable ballasts, drivers, or interfaces
- Controls up to 16 A of Lutron 3-wire dimmable ballasts, drivers, or interfaces

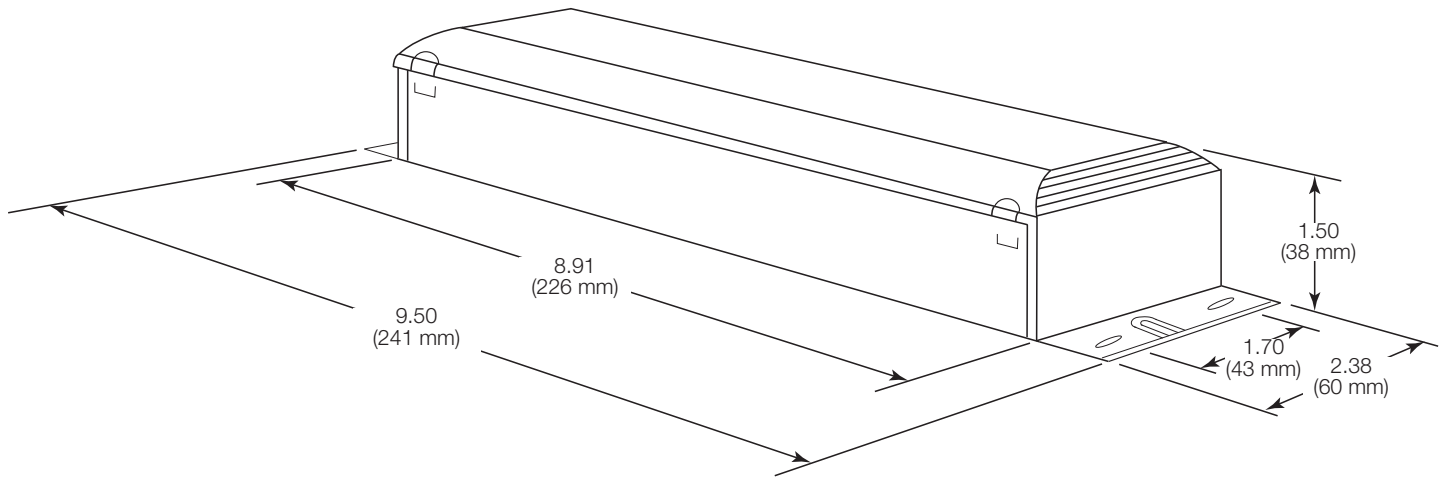
Environment and Operating Temperature

- Relative Humidity: maximum 90% non-condensing
- 32 °F to 104 °F (0 °C to 40 °C)
- Indoor use only
- Maximum Operating Temperature: 167 °F (75 °C)
on case

Job Name:	Model Numbers:
Job Number:	

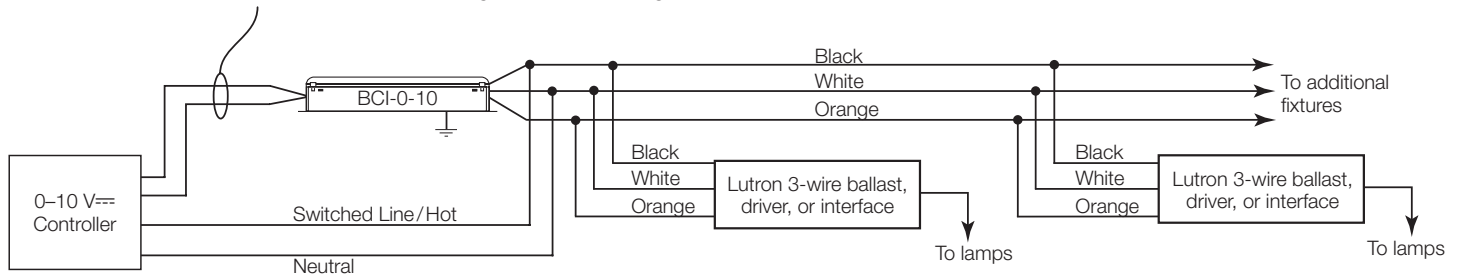
Dimensions

Dimensions shown as: in (mm)



Wiring Diagram

NOTICE: 0-10 V_{DC} Controller Signal Wires
 DO NOT CONNECT TO LINE VOLTAGE.
 Lutron is not liable for damage due to mis-wiring.



NOTE: The BCI-0-10 interface can be located in any fixture on the circuit. It does not need to be in the first fixture.

Lutron is a trademark or registered trademark of Lutron Electronics Co., Inc. in the US and/or other countries.
UL is a trademark of UL LLC.

LUTRON SPECIFICATION SUBMITTAL		Page
Job Name:	Model Numbers:	
Job Number:		