

Ten Volt Module and Kit

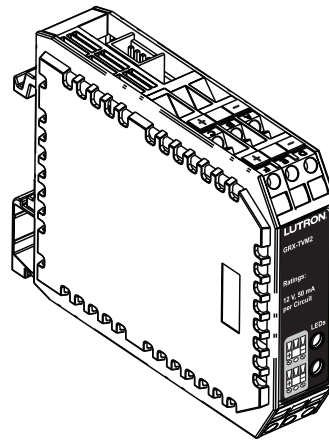
A Ten Volt Module (TVM) can control various LED and fluorescent load types when the lighting fixtures use a low-voltage signal ballast or LED driver.

The GRX-TVM2 can be considered as an output module in a HomeWorks QS system; it is used to control load types such as: 0–10 V_{DC} sink, 0–10 V_{DC} source, Pulse Width Modulation (PWM), DALI[®] (broadcast only)[†], and Tridonic DSI with the addition of a Module Interface (MI). Each TVM has two outputs which can be individually programmed to control any of these load types. TVMs can work in conjunction with the outputs of RPM-4U modules to switch the ballast or driver.

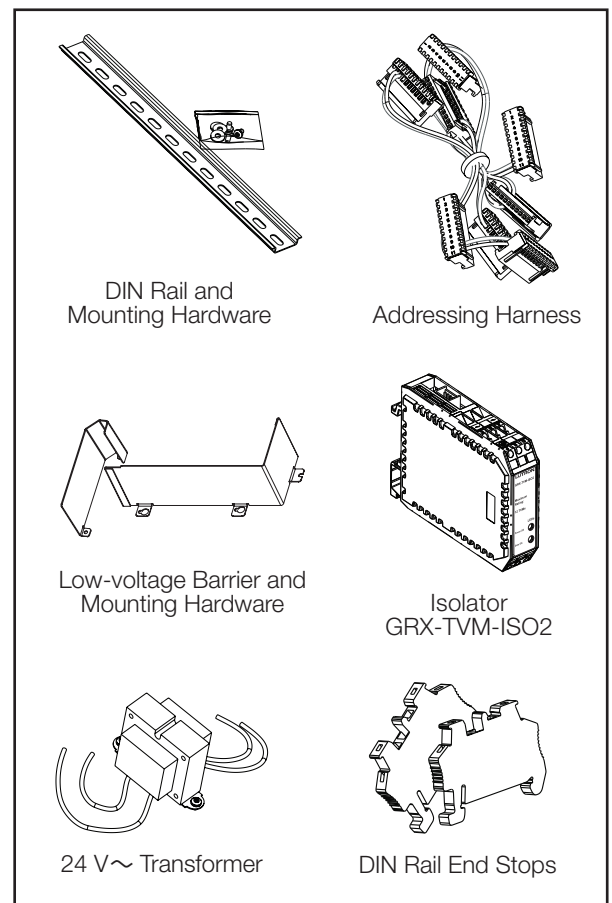
The Ten Volt Module Kit (HW-TVMKIT-120, HW-TVMKIT-230) contains the parts required to install TVMs (TVMs and TVM Kits are sold separately). Each TVM Kit can accommodate up to 12 TVMs, for a total of 24 circuits per panel.

Customers can mount the TVM Kit in their own enclosure or add it to an existing Lutron enclosure* (HWI-PNL-8, HWAP-8, HWBP-8, PBK-8).

The ISO2 (included in the TVM Kit) provides isolated power to the TVMs. Each ISO2 can provide no more than 750 mA of current — equal to 6 fully loaded TVMs or up to 12 partially loaded TVMs.



GRX-TVM2



HW-TVMKIT-120; HW-TVMKIT-230

Model Numbers

| | |
|---------------|--|
| GRX-TVM2 | Ten Volt Module |
| HW-TVMKIT-120 | Ten Volt Module Kit (120 V _~) |
| HW-TVMKIT-230 | Ten Volt Module Kit (230 V _~) |
| 163198 | Low-Voltage Transformer for 120 V _~ Kit (replacement) |
| 163227 | Low-Voltage Transformer for 230 V _~ Kit (replacement) |
| GRX-TVM-ISO2 | ISO2 (replacement) |

* The HW-TVMKIT is mounted in place of Remote Power Module (RPM) #8.

† See page 5 for DALI[®] compatibility requirements.

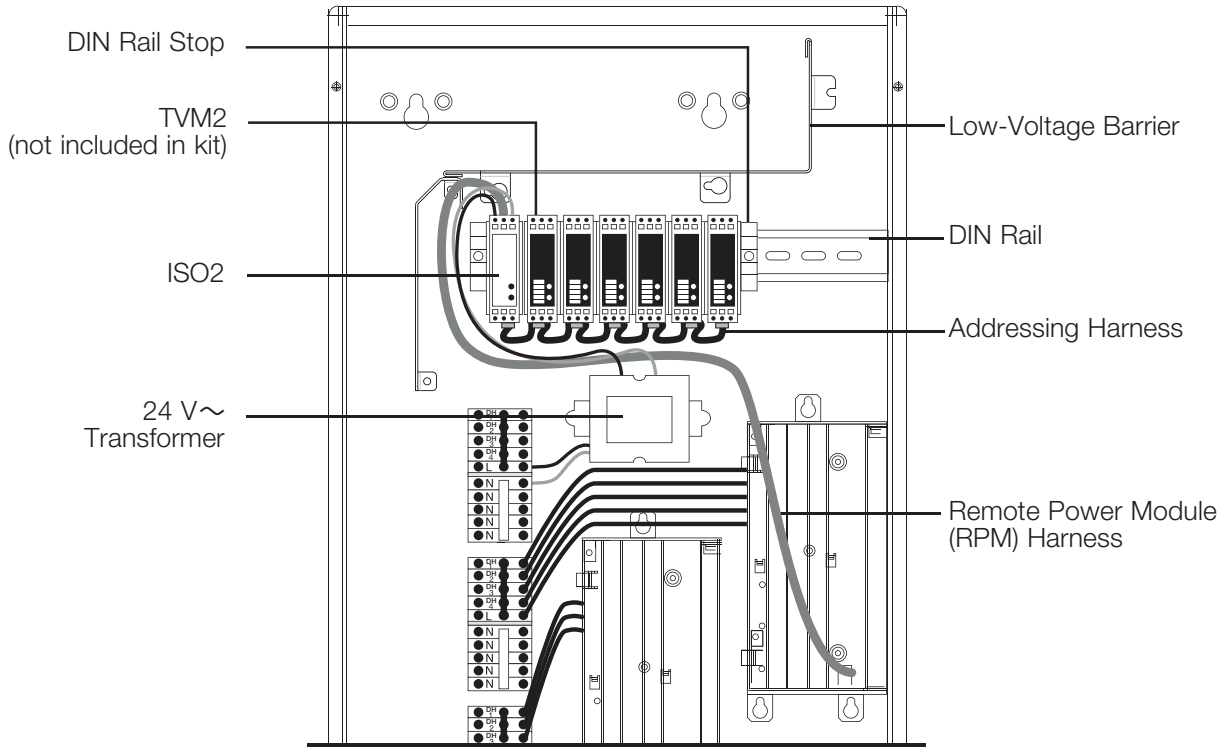
Ten Volt Module and Kit

Specifications

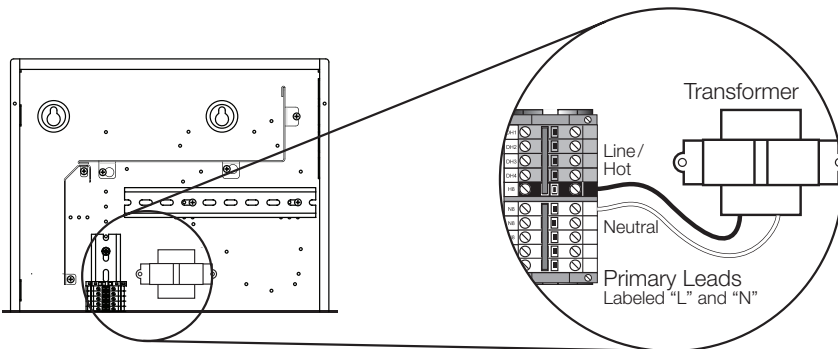
| | |
|--------------------------------|---|
| Model Numbers | <p>GRX-TVM2 (Ten Volt Module) HW-TVMKIT-120 (120 V~ Ten Volt Module Kit) HW-TVMKIT-230 (230 V~ Ten Volt Module Kit) <i>Replacement Kit Accessories:</i> 163198 (Low-Voltage Transformer for 120 V~ Kit) 163227 (Low-Voltage Transformer for 230 V~ Kit) GRX-TVM-ISO2 (ISO2)</p> |
| Power | <p>GRX-TVM2: 12 V\Rightarrow 50 mA per circuit</p> <p>HW-TVMKIT-120 ISO2: 24 V~ 50/60 Hz 750 mA per ISO2 Transformer Input: 120 V~ 50/60 Hz 40 W Transformer Output: 24 V~ 1.6 A IEC PELV/NEC® Class 2</p> <p>HW-TVMKIT-230 ISO2: 24 V~ 50/60 Hz 750 mA per ISO2 Transformer Input: 220 V~ to 240 V~ 50 Hz 40 W Transformer Output: 24 V~ 1.6 A IEC PELV/NEC® Class 2</p> |
| Capacity | <p>Each GRX-TVM2 can control up to 2 circuits. Each HW-TVMKIT-xxx can hold up to 12 GRX-TVM2s.</p> |
| Low-Voltage Connections | <p>11-pin harness connects ISO2 to each TVM2. Low-voltage MI harness connects the ISO2 units to panel interface.</p> |
| Environment | <p>Ambient operating temperature: 32 °F to 104 °F (0 °F to 40 °F). Ambient operating humidity: 0%–90% humidity, non-condensing. Indoor use only.</p> |
| Mounting | <p>Mounts in HWI-PNL-8, HWAP-8, HWBP-8, PBK-8 in place of Remote Power Module (RPM) #8.</p> |
| Warranty | <p>www.lutron.com/TechnicalDocumentLibrary/Warranty.pdf www.lutron.com/TechnicalDocumentLibrary/Intl_Warranty.pdf</p> |

Ten Volt Module and Kit

Installation

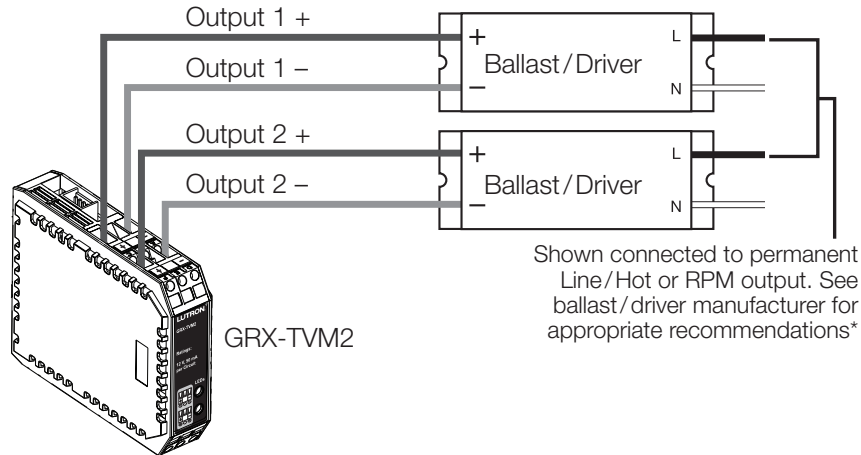


Wiring

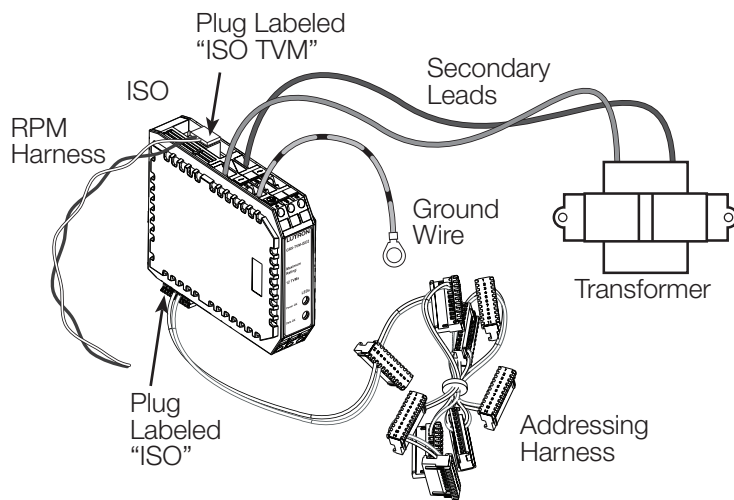


Ten Volt Module and Kit

Connecting the Low-Voltage Signal Wires



ISO2 Wiring Example



* Some ballasts/drivers require a permanent Line/Hot connection while others must be switched off, by the output of an RPM-4U module, in conjunction with the TVM. Consult ballast/driver manufacturer instructions for details.

DALI® Compatibility

In order to ensure compatibility with Lutron DALI® controllers, the connected DALI® LED drivers and fluorescent ballasts must be DALI-2® certified and marked. In addition to compatibility, it is important to select high-quality and high-performance LED drivers and fluorescent ballasts. DALI-2® certified devices are readily available from many manufacturers and are tested for compatibility with the standard. For a complete list of available DALI-2® certified devices, see the DiiA® website at <https://www.digitalilluminationinterface.org/products>. DALI® devices that are not listed on the DiiA® website and are not marked DALI-2® cannot be considered DALI-2® certified.

The DALI® version-1 standard does not ensure compatibility. To apply the original DALI® version-1 mark on LED drivers and fluorescent ballasts, no verification of the test results was required, and manufacturers could self-declare compliance and apply the DALI® mark. If you would like to use an LED driver or fluorescent ballast that is not DALI-2® certified but carries a DALI® version-1 logo, Lutron recommends that these devices be tested to ensure compatibility. Lutron is able to perform this testing on request. Samples of the drivers and light engines must be submitted to Lutron and the expected turnaround time is 6 to 8 weeks after the drivers are received. Fees for testing may apply. Lutron recommends that this testing be performed before the fixtures and lighting controls are purchased and installed. Contact your Lutron sales representative for more information.

Lutron and HomeWorks are trademarks or registered trademarks of Lutron Electronics Co., Inc. in the US and/or other countries.

NEC is a registered trademark of National Fire Protection Association, Quincy, Massachusetts.

All other product names, logos, and brands are property of their respective owners.

Customer Assistance:
1.844.LUTRON1 (U.S.A./Canada)
+44.(0)20.7680.4481 (Europe)