

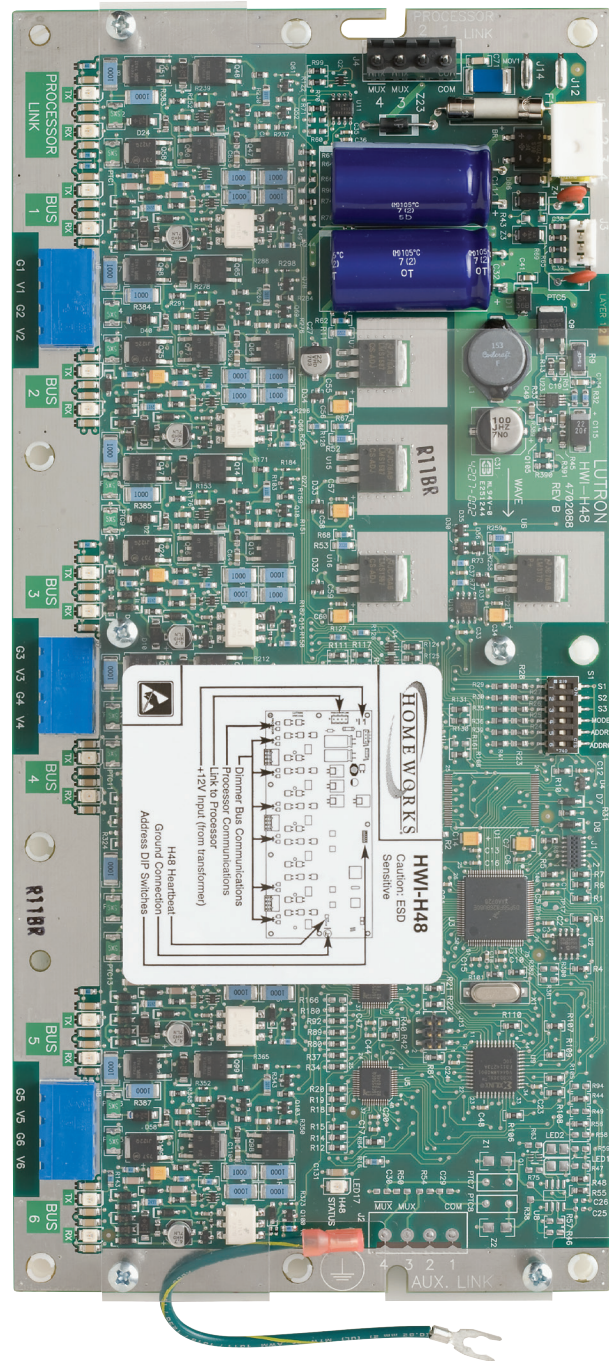
## H48 Dimmer Interface

The H48 dimmer interface acts as a point of communication between a processor and local controls.

The dimmer interface allows the HomeWorks® processor to provide control of up to 48 additional local controls via six communication buses. Each bus supports a maximum of eight wired, uniquely-addressed HomeWorks® Maestro® local controls.

### Model Number

HWI-H48 H48 Dimmer Interface



H48 Dimmer Interface

# H48 Dimmer Interface

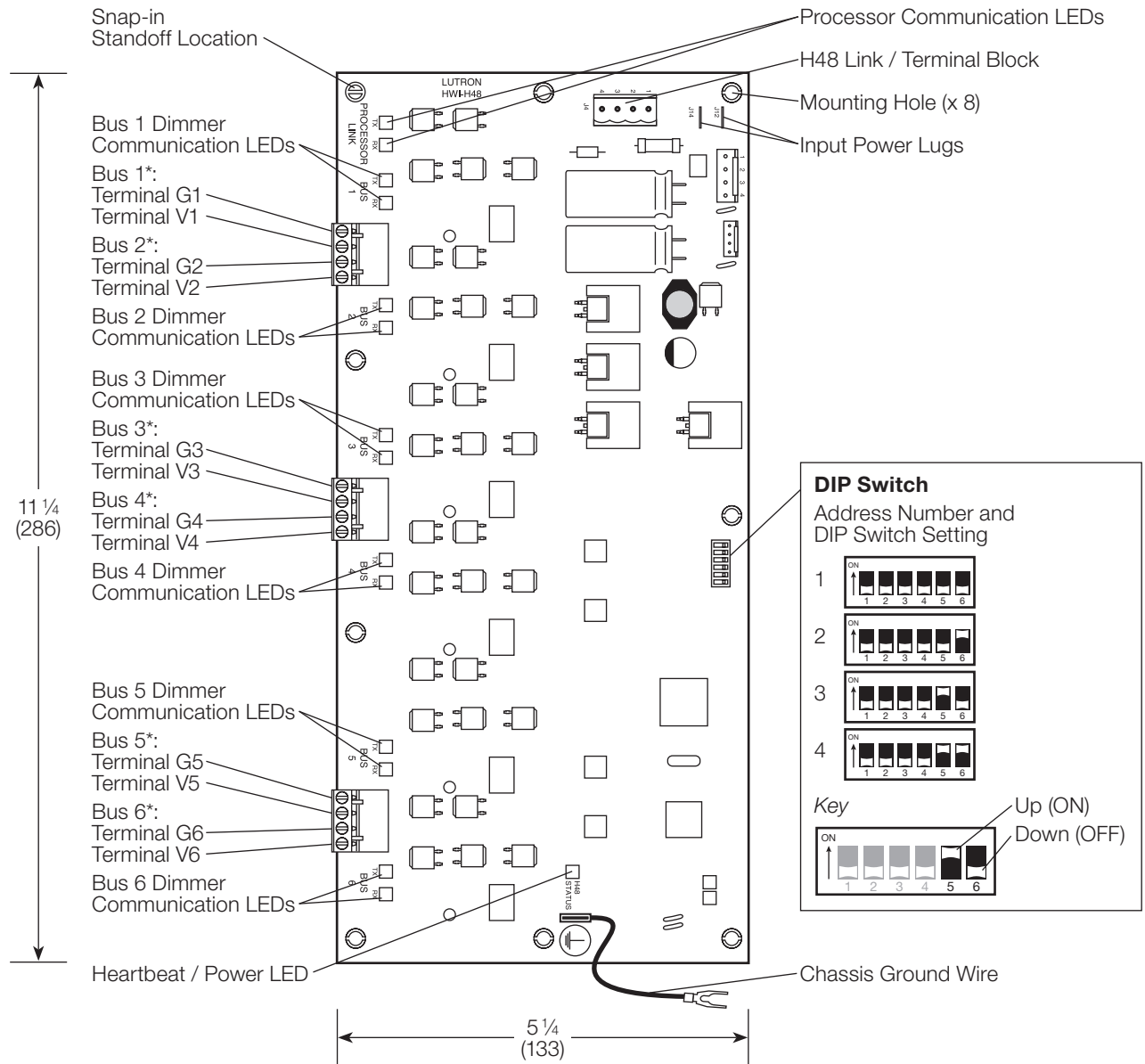
## Specifications

<b>Model Number</b>	HWI-H48
<b>Capacity</b>	Controls up to 48 wired HomeWorks® Maestro® local lighting controls.
<b>Input Voltage</b>	12 V~ from power supply in the HWI-LV17-120
<b>Environment</b>	Ambient operating temperature: 32 °F to 104 °F (0 °C to 40 °C) Ambient operating humidity: 0 to 90% humidity, non-condensing. Indoor use only.
<b>Low-Voltage Wire Type</b>	Processor to dimmer interface wires: Two pairs: one pair 18 AWG (1.0 mm <sup>2</sup> ); one pair 18 AWG to 22 AWG (1.0 mm <sup>2</sup> to 0.5 mm <sup>2</sup> ) twisted, shielded Class 2 wire. Lutron® wire part number GRX-CBL-346S-500 may be used.  Dimmer interface to wired HomeWorks® Maestro® local control wire: One pair 22 AWG (0.5 mm <sup>2</sup> ) twisted, shielded Class 2 wires.
<b>Low-Voltage Wiring Configuration</b>	Between processor and dimmer interfaces: Daisy-chain only. Termination required if total cable length exceeds 50 ft (15 m). For HomeWorks® QS systems, a link translator (HQ-HWI-LX) is required if total cable length exceeds 50 ft (15 m). Total length of wire on any link must NOT exceed 1000 ft (305 m). Maximum: four dimmer interfaces per processor link that has been configured as an H48 link.  Between dimmer interface and wired HomeWorks® Maestro® local controls: Daisy-chain NOT required (star, T-tap, daisy-chain, home run are permitted). Termination not required. Each Maestro® bus may have a max 500 ft (152.5 m) per home run, but must NOT exceed 1000 ft (305 m) total per bus. Maximum: eight HomeWorks® Maestro® local controls per Maestro® bus and six dimmer buses per H48 interface.
<b>Low-Voltage Connections</b>	Wired Processor: One 4-pin removable terminal block; terminal block will accept up to two 18 AWG (1.0 mm <sup>2</sup> ) wires.  Wired HomeWorks® Maestro® local control: Six 2-pin removable terminal blocks; each terminal will accept up to two 18 AWG (1.0 mm <sup>2</sup> ) wires.
<b>Addressing</b>	Via DIP switch. Counts as 1 of 4 dimmer interface addresses.
<b>Diagnostics</b>	Dimmer communication LEDs, processor communication LEDs, and heartbeat/power LED.
<b>ESD Protection</b>	Meets or exceeds the IEC 61000-4-2 standard.
<b>Surge Protection</b>	Meets or exceeds ANSI/IEEE standard c62.41.
<b>Miswire Protection</b>	Maestro® buses are miswire-protected against gray-violet shorts. Dimmer interface buses are non-polarized.
<b>Dimensions</b>	5¼ in (133 mm) x 11¼ in (286 mm)
<b>Mounting</b>	Mount inside HWI-LV17-120 panel.
<b>Shipping Weight</b>	1 lb (0.45 kg)
<b>Warranty</b>	<a href="http://www.lutron.com/TechnicalDocumentLibrary/warranty.pdf">www.lutron.com/TechnicalDocumentLibrary/warranty.pdf</a>

# H48 Dimmer Interface

## Features and Dimensions

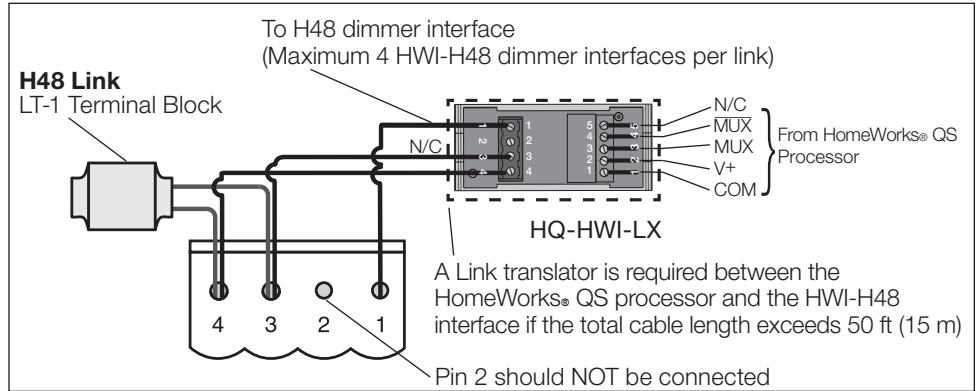
Measurements shown as: in (mm)



\* Max 6 buses per HWI-H48

# H48 Dimmer Interface

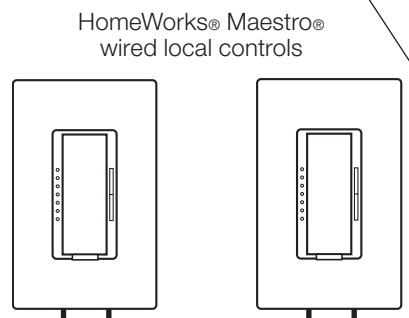
## Wiring



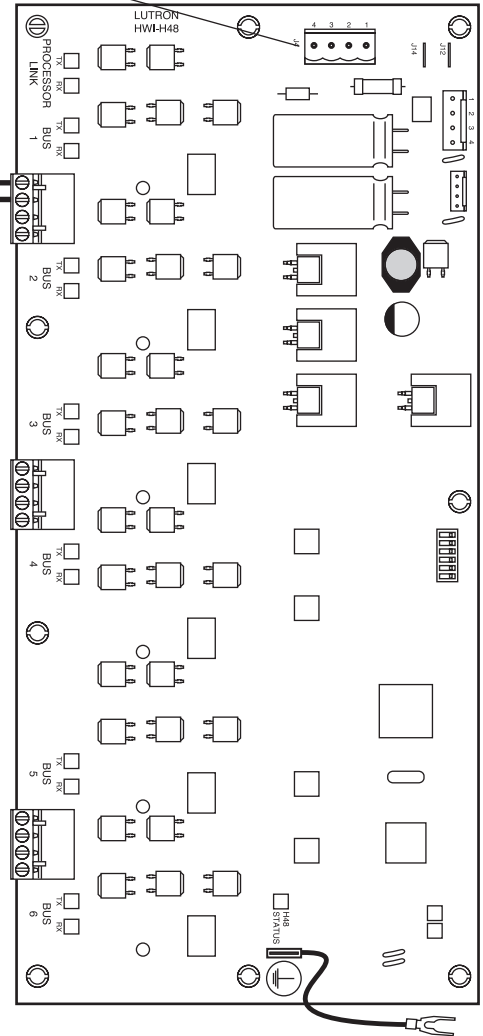
**Notes:** V+ from QS power supply must be wired to L1 (link 1) power and L2 (link 2) power at PWR terminal on HomeWorks® QS processor in order for link translator to function.

Link terminator must be connected to the last HWI-H48 dimmer interface on the link.

Maximum 8 HomeWorks® Maestro® wired local controls per bus



One pair 22 AWG (0.5 mm<sup>2</sup>) twisted, shielded Class 2 wires (max home run 500 ft [152.5 m] per local control, not to exceed 1000 ft [305 m] total per bus)



# H48 Dimmer Interface

## Configuration

HWI-LV17-120 panel

