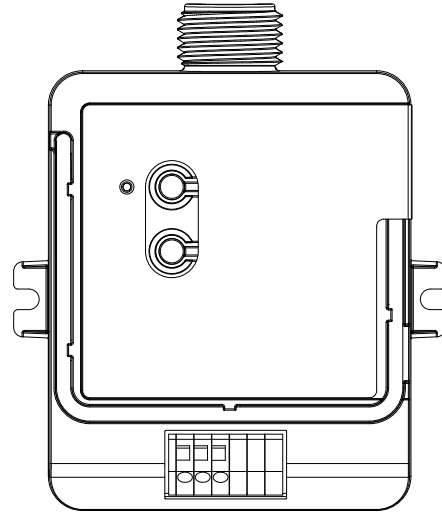


RF CCO Module

The RF CCO Module is a low-voltage radio frequency (RF) control that provides a single dry contact closure output based on input from RadioRA® 2 and HomeWorks® QS systems. It can be powered by 24 V~ or 24 V== for easy connection and integration into building management, HVAC, VAV, and other 3rd-party systems.

- Single contact closure output including both normally open (NO) and normally closed (NC) dry contacts
- Maintained or momentary output type
- Operates at 24 V~ or 24 V==
- Utilizes Lutron® Clear Connect® RF Technology – refer to model number chart below for frequency band data, and Lutron® system compatibility
- Screw tabs provided for surface mounting (recommended); or mounts to an electrical junction box through a 1/2 in or 21 mm trade size knockout opening
- Complies with requirements for use in a compartment handling environmental air (plenum) per NEC® 2011 300.22(C)(3) (LMJ- model only)



Models

Model Number	Region	Operating Voltage	Frequency Band	Compatible Systems
LMJ-CCO1-24-B	U.S.A., Canada, Mexico	24 V~ or 24 V==	431.0 – 437.0 MHz	RadioRA® 2, HomeWorks® QS
LMK-CCO1-24-B	Europe, U.A.E.	24 V~ or 24 V==	868.125 – 868.850 MHz	

NOTE: Contact Lutron for frequency band compatibility for your geographic region if it is not indicated above.

RF CCO Module

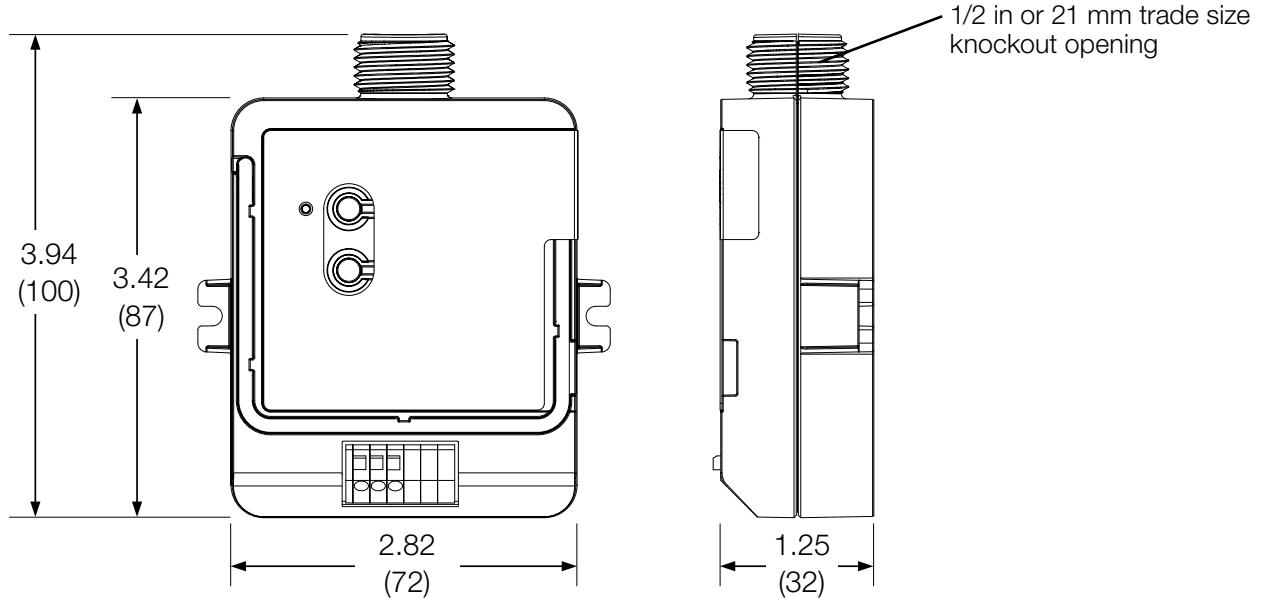
Specification

Model Number	LMJ-CCO1-24-B, LMK-CCO1-24-B
Power	IEC PELV/NEC® Class 2 Operating voltage: 24 V~ / 24 V== Operating current, nominal: 45 mA (24 V~), 35 mA (24 V==)
Typical Power Consumption	< 1.0 W Typical power test conditions: all loads off, CCO LED on
Regulatory Approvals	UL®, UL 2043 Plenum Rated, FCC Approved. Complies with the limits for a Class B device, pursuant to Part 15 of FCC rules, IC, (LMJ- model only), CE, TRA, CITC (LMK- model)
Environment	Ambient operating temperature: 32 °F to 131 °F (0 °C to 55 °C) Ambient operating humidity: 0% to 90% humidity, non-condensing. Indoor use only.
Communications	Operates using Clear Connect® RF Technology for reliable wireless communication; refer to model number chart on Page 1 for frequency band details. RF range is 30 ft (9 m) from repeaters. Contact Lutron for applications using foil-backed or metallic ceiling tiles.
Contact Closure Output	Accepts input voltages of 0 to 24 V~ / 0 to 24 V== Resistive Load: 1.0 A (0 to 24 V==), 0.5 A (0 to 24 V~) Provides both normally open (NO) and normally closed (NC) dry contacts. Maintained or momentary output type. Output is latching. Minimum Close Time: 500 ms.
Mounting	Screw tabs provided for surface mounting (recommended); or mounts to a electrical junction box through a 1/2 in or 21 mm trade size knockout opening.
Low Voltage CCO Wiring	CCO terminals accept 20 to 16 AWG (0.5 to 1.5 mm ²) solid or stranded wire.
Warranty	www.lutron.com/TechnicalDocumentLibrary/Warranty.pdf www.lutron.com/TechnicalDocumentLibrary/Intl_Warranty.pdf

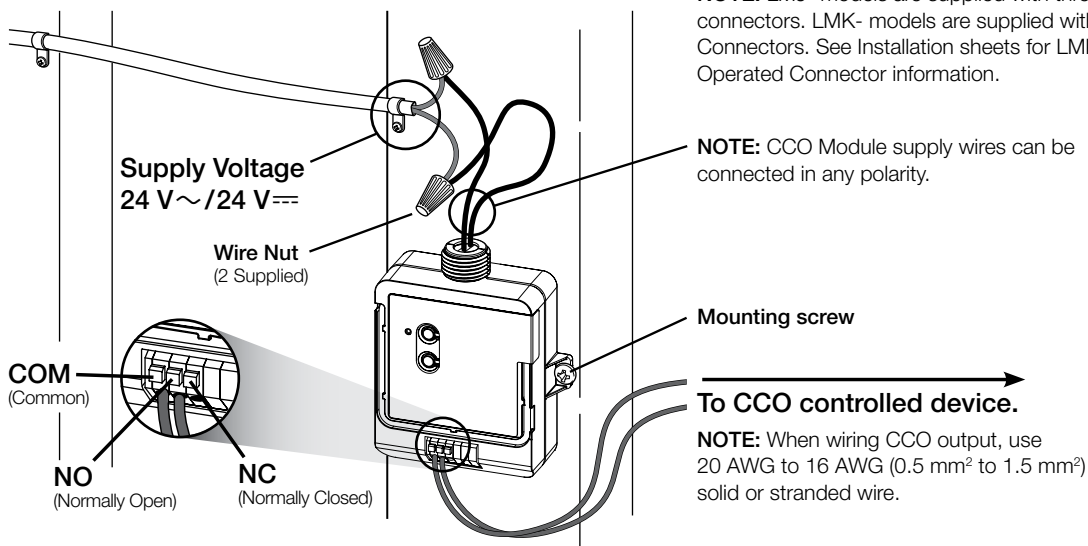
RF CCO Module

Dimensions

Dimensions are shown as: in (mm)



Wiring Diagram (Recommended)



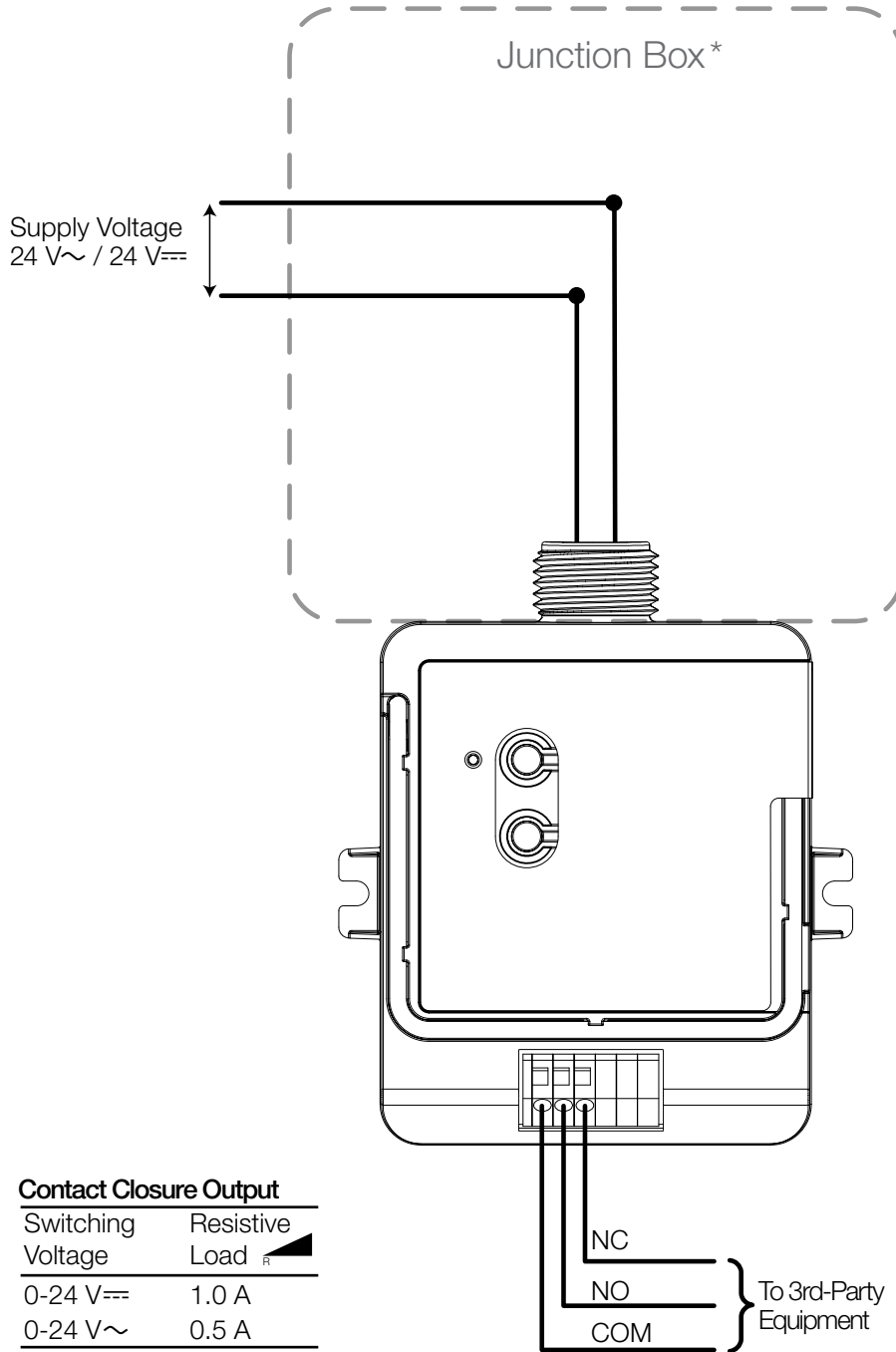
NOTE: LMJ- models are supplied with three twist-on wire connectors. LMK- models are supplied with Lever Operated Connectors. See Installation sheets for LMK- models for Lever Operated Connector information.

NOTE: CCO Module supply wires can be connected in any polarity.

NOTE: The CCO output may be wired using either the NO or NC terminal.

RF CCO Module

Wiring Diagram (Junction Box Optional)



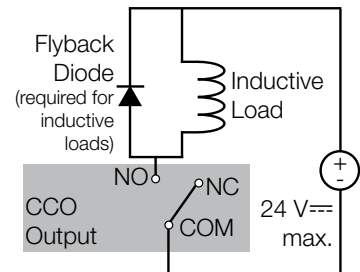
*** NOTE:** Some applications (in USA) require the CCO module to be installed inside an additional junction box. For information about how to perform this installation, please visit www.lutron.com, Application Note #423 (P/N 048423). Please consult all local and national electric codes for proper installation methods.

Contact Closure Output

Switching Voltage	Resistive Load
0-24 V==	1.0 A
0-24 V~	0.5 A

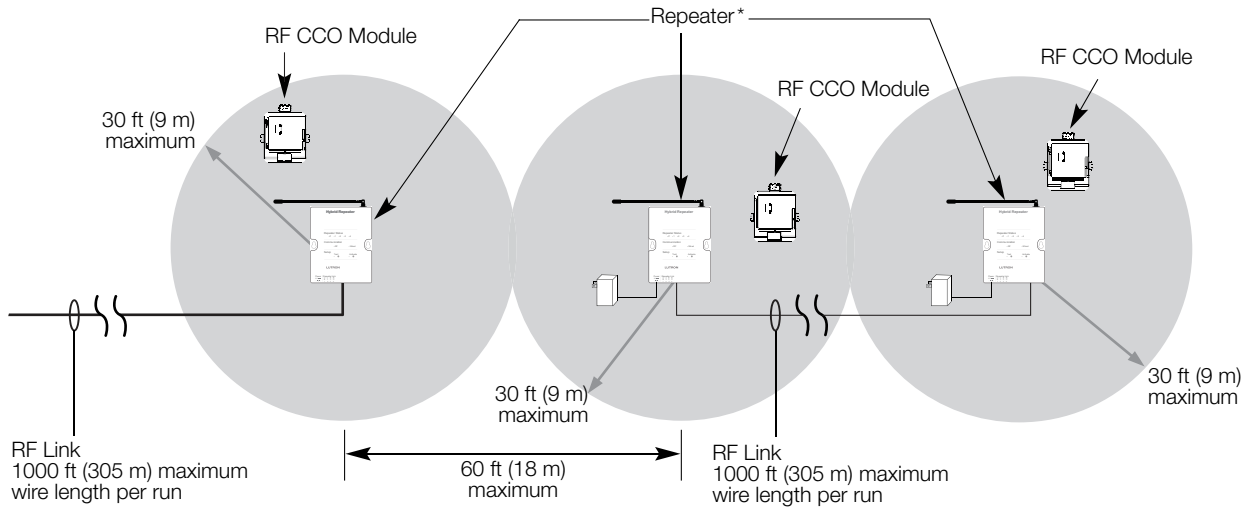
NOTE:

The CCO is not rated to control unclamped, inductive loads. Inductive loads include (but are not limited to): relays, solenoids, and motors. To control these types of equipment, a flyback diode must be used (DC voltages only). For more information, please see Application Note #434 (P/N 048434)



RF CCO Module Communications

Wired and RF Configuration (RadioRA® 2 and HomeWorks® QS)



* In HomeWorks® QS systems, use Hybrid Repeaters for range extension. In RadioRA® 2, the repeater shown may be either a main repeater (1 required) or auxiliary repeater (up to 4 permitted).