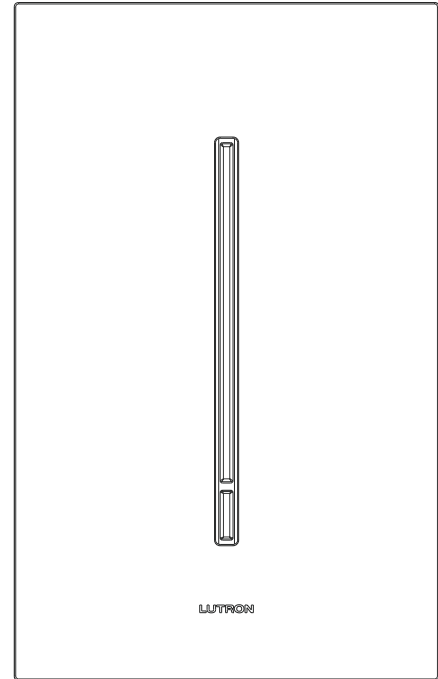


# HomeWorks QS GRAFIK T QS Slider

The HomeWorks QS GRAFIK T QS Slider provides a simple and elegant way to control lights and other 3rd party equipment as part of a lighting control system. The GRAFIK T QS Slider operates much like other low-voltage, wired lighting controls, and is useful in locations where single circuits of lighting need to be dimmed.

### Features

- Simple touch control.
- Distinctive architectural aesthetic.
- Softly lit white LEDs indicate light level and coordinate with any décor.
- Available in over 40 colors and finishes including metal and glass.
- Use Lutron GRAFIK T wallplates (sold separately). Please see the **Colors and Finishes** section for details.
- Lutron GRAFIK T wallplates snap on with no visible means of attachment.
- Connects via IEC PELV/NEC® Class 2 wiring.



**GRAFIK T QS Slider - HQWT-GS1W**  
(shown with wallplate, sold separately)

### Model Numbers

Controls	
HQWT-GS1W	GRAFIK T QS Slider for HomeWorks QS
Wallplates	
LWT-G-XXX <sup>1,2</sup>	Single-gang GRAFIK T wallplate
LWT-GG-XXX <sup>1,2</sup>	Two-gang GRAFIK T wallplate
LWT-GGG-XXX <sup>1,2</sup>	Three-gang GRAFIK T wallplate
LWT-GGGG-XXX <sup>1,2</sup>	Four-gang GRAFIK T wallplate

<sup>1</sup> “XXX” in the model number represents color/finish code. See the **Colors and Finishes** section for details.

<sup>2</sup> GRAFIK T controls cannot gang with Vierti products or wallplates.

# HomeWorks QS GRAFIK T QS Slider

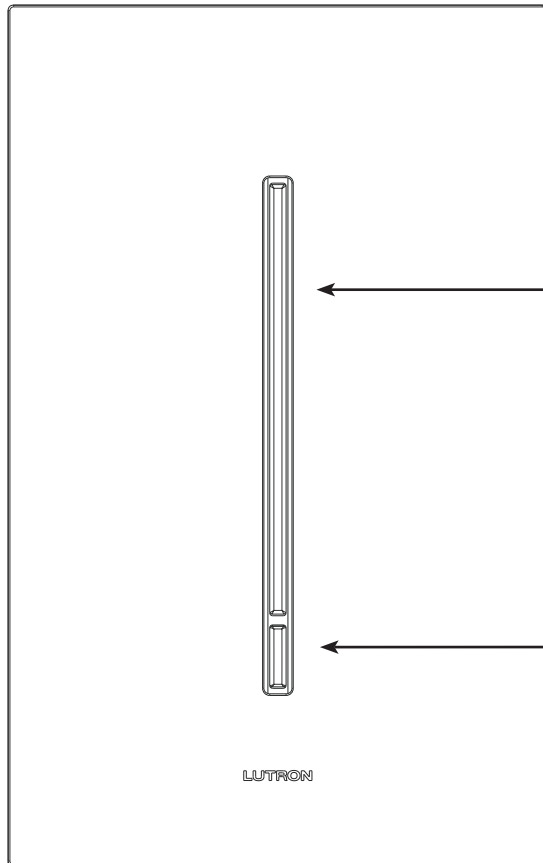
## Specifications

<b>Model Numbers</b>	Control: HQWT-GS1W Wallplate: LWT-G-XXX <sup>1</sup> , LWT-GG-XXX <sup>1</sup> , LWT-GGG-XXX <sup>1</sup> , LWT-GGGG-XXX <sup>1</sup>
<b>Power</b>	24-40 V $\overline{=}$ 30 mA IEC PELV / NEC <sup>®</sup> Class 2
<b>Typical Power Consumption</b>	0.15 W; 1 Power Draw Unit (PDU) Test conditions: QS slider powered at 24 V $\overline{=}$ , remote load is off.
<b>Regulatory Approvals</b>	Designed for IEC PELV / NEC <sup>®</sup> Class 2 operation only. Not a wireless device. Complaint with UL <sup>®</sup> 508 and 244A, CSA 22.2 No. 14-13, IEC 60669.
<b>Environment</b>	Ambient operating temperature: 32 °F to 104 °F (0 °C to 40 °C), 0% to 90% humidity, non-condensing. Indoor use only.
<b>Lighting Sources/ Load Types</b>	Controls lighting sources with smooth, continuous Square Law dimming. Works with any type of lighting zone output in a HomeWorks QS system excluding 3-channel DMX loads.
<b>Limitations</b>	Only works in a HomeWorks QS system.
<b>System Communications and Capacities</b>	Connects to QS wired device link on HomeWorks QS processor. Performance will degrade if more than 5 units are being controlled simultaneously per link.
<b>ESD Protection</b>	Tested to withstand electrostatic discharge without damage or memory loss, in accordance with IEC 61000-4-2.
<b>Surge Protection</b>	Tested to withstand surge voltages without damage or loss of operation, in accordance with IEEE C62.41-1991 Recommended Practice on Surge Voltages in Low-Voltage AC Power Circuits.
<b>Power Failure</b>	Power failure memory: should power be interrupted, the control will return to its previous state when power is restored.
<b>Mounting</b>	U.S. wallbox 3 1/2 in (89 mm) deep, 2 1/4 in (57 mm) deep minimum, or low-voltage mounting bracket.
<b>Wiring</b>	Control wire must be 1 pair 18 AWG (1.0 mm <sup>2</sup> ) IEC PELV / NEC <sup>®</sup> Class 2 for power and 1 pair 22 to 18 AWG (0.5 to 1.0 mm <sup>2</sup> ) IEC PELV / NEC <sup>®</sup> Class 2 twisted/shielded for data (see <b>Wiring</b> ).
<b>Warranty</b>	<a href="http://www.lutron.com/TechnicalDocumentLibrary/warranty.pdf">www.lutron.com/TechnicalDocumentLibrary/warranty.pdf</a>

<sup>1</sup> "XXX" in the model number represents color/finish code. See the **Colors and Finishes** section for details.

# HomeWorks QS GRAFIK T QS Slider

## Operation



**Adjust**

- Dimmable load
  - Touch to set lights to desired level
  - Slide to adjust light level
- Switched load
  - Touch anywhere to toggle load On/Off

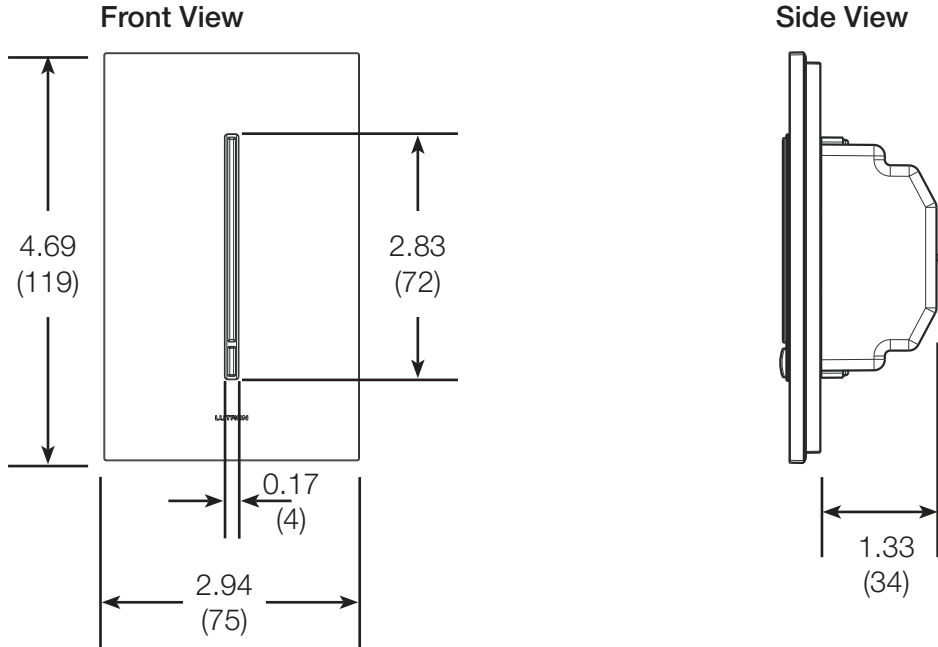
**Toggle On / Off**

- Touch to turn off or to turn on to previous light level
- Toggle button is white when On, orange when Off
- When ON, press and hold the Toggle Button to engage the delayed long-fade-to-OFF

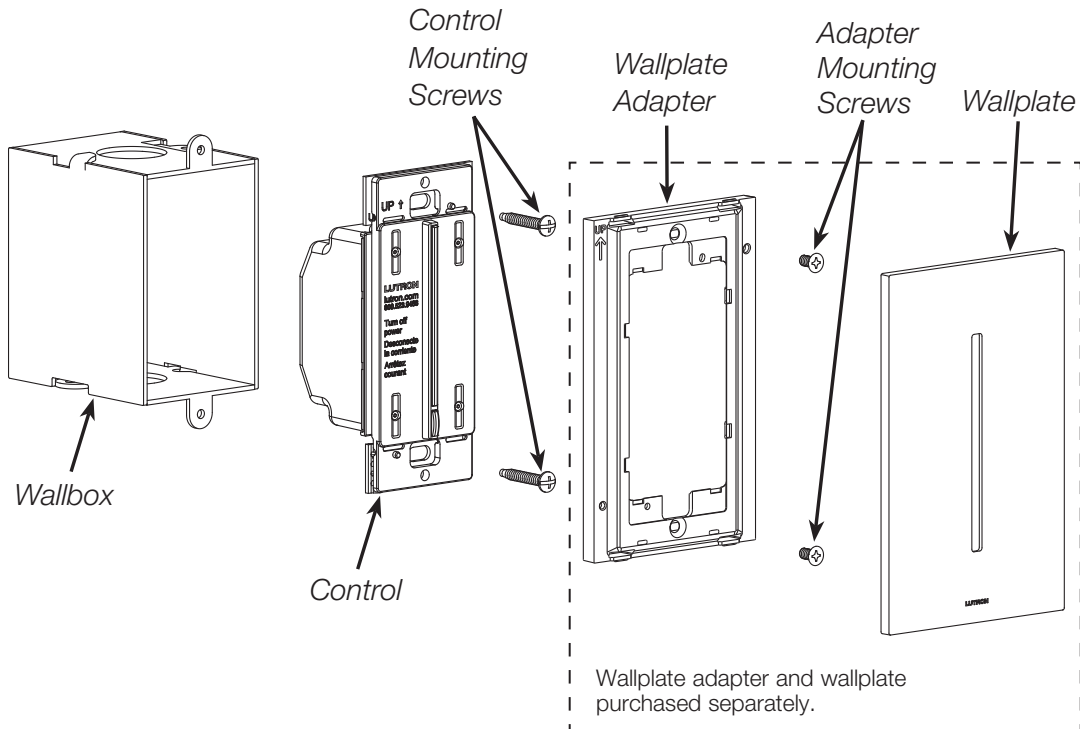
# HomeWorks QS GRAFIK T QS Slider

## Dimensions

All dimensions are shown as  $\frac{\text{in}}{\text{(mm)}}$



## Mounting and Parts Identification



## HomeWorks QS GRAFIK T QS Slider

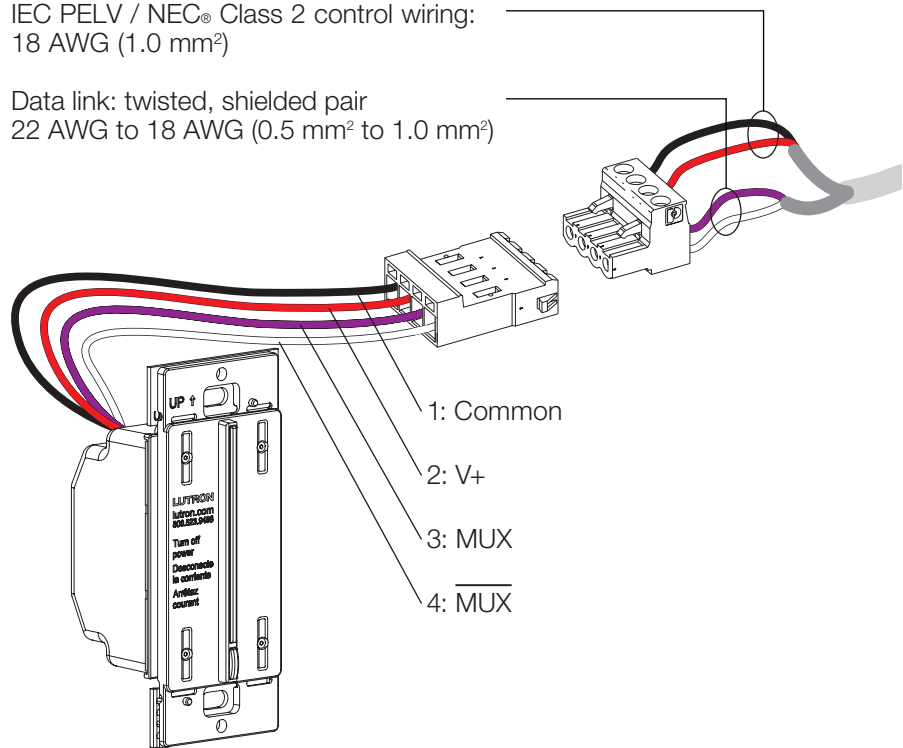
### Wiring Diagrams

#### Wiring Notes

- QS wired link wiring may be in a daisy-chain, star or T-tap configuration.
- The total length of wire on a QS wired link is not to exceed 2000 ft (610 m).
- Up to 100 devices can be connected to the QS wired link. This can include GRAFIK T QS sliders along with other devices as defined in the HomeWorks QS software.
- An external power supply may be required depending on the total current draw of all wired devices on the processor link.

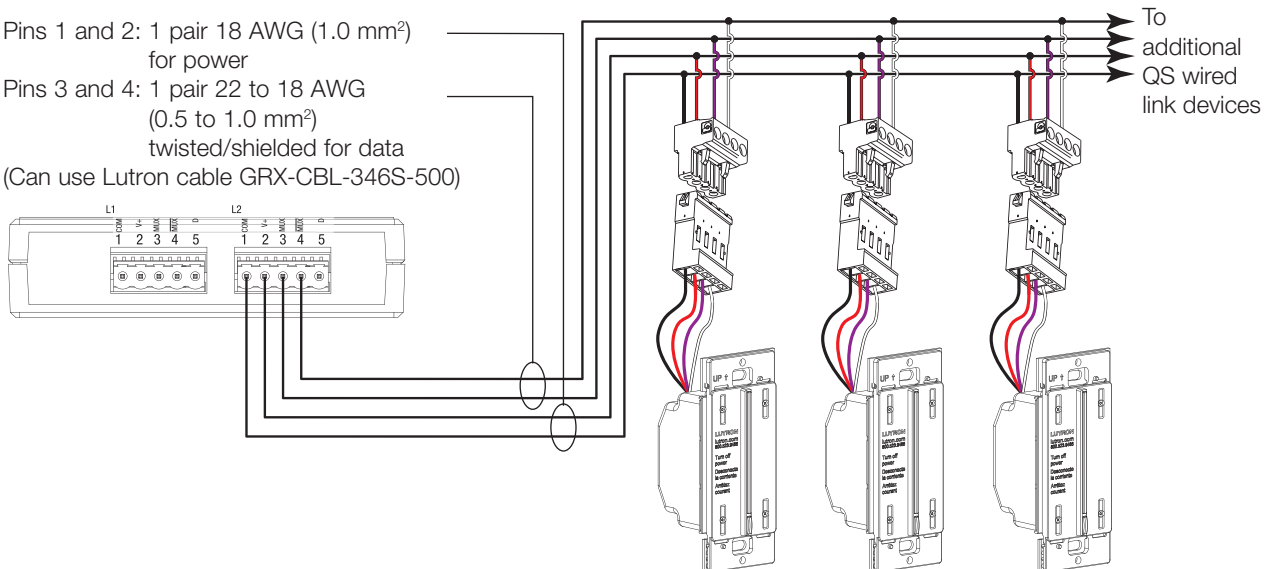
IEC PELV / NEC® Class 2 control wiring:  
18 AWG (1.0 mm<sup>2</sup>)

Data link: twisted, shielded pair  
22 AWG to 18 AWG (0.5 mm<sup>2</sup> to 1.0 mm<sup>2</sup>)



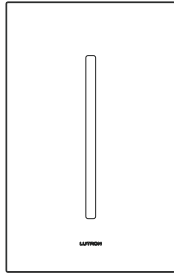
QS Link Wiring Length	Wire Gauge	Lutron Cable Part Number
Less than 500 ft (153 m)	Power (terminals 1 and 2) 1 pair 18 AWG (1.0 mm <sup>2</sup> )	GRX-CBL-346S (non-plenum) GRX-PCBL-346S (plenum)
	Data (terminals 3 and 4) 1 twisted, shielded pair 22 AWG (0.5 mm <sup>2</sup> )	
Up to 2000 ft (610 m)	Power (terminals 1 and 2) 1 pair 12 AWG (4.0 mm <sup>2</sup> )	GRX-CBL-46L (non-plenum) GRX-PCBL-46L (plenum)
	Data (terminals 3 and 4) 1 twisted, shielded pair 22 AWG (0.5 mm <sup>2</sup> )	

Pins 1 and 2: 1 pair 18 AWG (1.0 mm<sup>2</sup>) for power  
Pins 3 and 4: 1 pair 22 to 18 AWG (0.5 to 1.0 mm<sup>2</sup>) twisted/shielded for data  
(Can use Lutron cable GRX-CBL-346S-500)

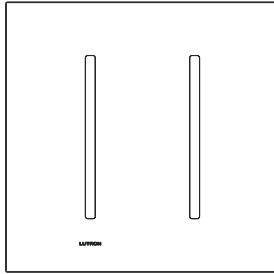


# HomeWorks QS GRAFIK T QS Slider

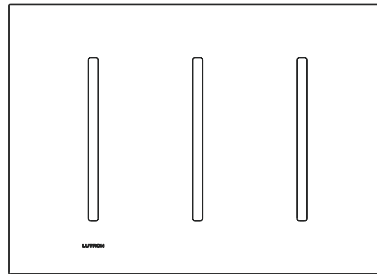
## GRAFIK T Wallplates



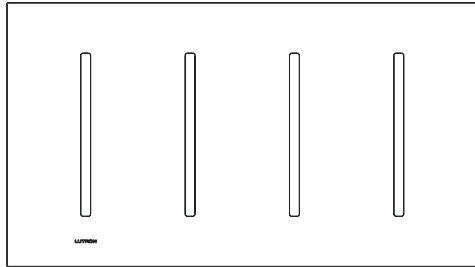
LWT-G-XXX<sup>1</sup>  
(1-Gang)



LWT-GG-XXX<sup>1</sup>  
(2-Gang)



LWT-GGG-XXX<sup>1</sup>  
(3-Gang)



LWT-GGGG-XXX<sup>1</sup>  
(4-Gang)

<sup>1</sup> "XXX" in the model number represents color/finish code. See the **Colors and Finishes** section for details.

For larger wallplates contact Lutron Customer Service at 1.888.LUTRON1 or 1.610.282.3800 (custsvc@lutron.com).

# HomeWorks QS GRAFIK T QS Slider

## Colors and Finishes

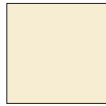
### Architectural Matte Finishes



White  
WH



Ivory  
IV



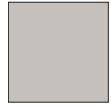
Almond  
AL



Light Almond  
LA



Gray  
GR



Taupe  
TP



Beige  
BE



Brown  
BR



Black  
BL



Sienna  
SI

### Architectural Metal Finishes



Satin Brass  
SB



Bright Brass  
BB



Antique Brass  
QB



Antique Bronze  
QZ



Satin Chrome  
SC



Bright Chrome  
BC



Satin Nickel  
SN



Bright Nickel  
BN

### Glass Finish



Clear Black  
Glass  
CBL



Clear White  
Glass  
CWH

- Due to printing limitations, colors and finishes shown cannot be guaranteed to perfectly match actual product colors.
- Color chip keychains are available for more precise color matching:  
Architectural Matte Finishes: AM-CK-1 | Architectural Metal Finishes: AMTL-CK-1

Lutron, HomeWorks, and Vierti are trademarks of Lutron Electronics Co., Inc., registered in the U.S. and other countries.

GRAFIK T is a trademark of Lutron Electronics Co., Inc.

UL is a trademark of UL LLC.

NEC is a registered trademark of National Fire Protection Association, Quincy, Massachusetts.