

## HomeWorks QS Wired Palladiom Keypad

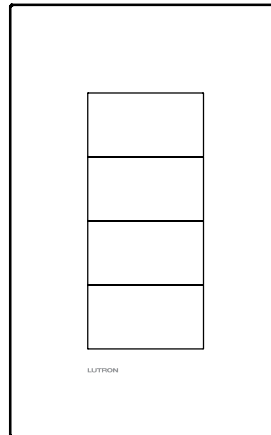
The HomeWorks QS wired Palladiom keypad allows the user to control lights, shades/ draperies, temperature, and 3rd-party equipment. The keypad is wired to a HomeWorks QS processor on the QS link.

Large buttons are easy to use and button engraving is easy to read. Buttons with white, backlit engraving make it easy to find and operate the keypad in low light conditions. Keypads are available in a variety of colors, finishes, and button marking options.

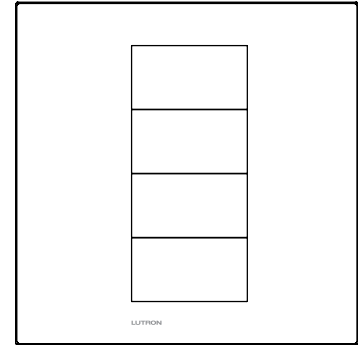
Status of active button press or scene is indicated through intensity of backlighting which is configurable through the HomeWorks QS software. Dynamic Backlighting Management (DBM) automatically adjusts backlight intensity based on ambient lighting conditions. It can also be programmed in the HomeWorks QS software to adjust intensity by time of day or button presses.

### Model Numbers

See [How to Build a Model Number \(Keypads\)](#).



**1-Gang U.S. Style**



**1-Column Square Style**

# HomeWorks QS Wired Palladiom Keypad

## Specifications

<b>Model Numbers</b>	See <a href="#">How to Build a Model Number (Keypads)</a> .
<b>Power</b>	24–36 V $\overline{=}$ 30 mA
<b>Typical Power Consumption</b>	0.7 W <i>Test conditions:</i> all backlights on medium intensity, two LEDs on (two presets active), keypad powered at 24 V $\overline{=}$
<b>Regulatory Approvals</b>	Lutron Quality Systems registered to ISO 9001:2015. Complies with UL 508; IEC 60669-2-1; and CSA C22.22 No. 14-13. EBB-1-3COL only - Complies with UL 2269; IEC 60670-1; and CSA C22.22 No. 18.2 (2006).
<b>Environment</b>	<i>Ambient operating temperature:</i> 32 °F to 104 °F (0 °C to 40 °C), 0% to 90% non-condensing relative humidity. Indoor use only.
<b>Communications</b>	SELV/PELV/NEC® Class 2 wiring connects keypads to other devices on the QS link. Each keypad counts as 1 device on the QS link. Each keypad column consumes 1 Power Draw Unit (PDU) on the QS link. For complete information, see “Power Draw Units on the QS link” (Lutron P/N 369405).
<b>ADA Standard</b>	Control operation complies with ADA standards for an accessible design.
<b>ESD Protection</b>	Meets IEC 801-2. Tested to withstand 15 kV electrostatic discharge without damage or memory loss.
<b>Power Failure</b>	<i>Power failure memory:</i> should power be interrupted, the keypad will return to its previous state when power is restored.
<b>Mounting</b>	<i>Typical U.S. style wallbox dimensions:</i> 3.7 in (95 mm) H × 1.8 in (46 mm) W × 2.8 in (70 mm) D. <i>Typical square style wallbox dimensions:</i> 75 mm H × 75 mm W × ≥25 mm D. <i>Typical round style wallbox dimensions:</i> $\phi$ 68 mm × ≥25 mm D. See <a href="#">Mounting</a> on page 11 for more details.
<b>Wiring</b>	SELV/PELV/NEC® Class 2
<b>Terminals</b>	Each terminal accepts up to two 18 AWG (1.0 mm <sup>2</sup> ) wires.
<b>Warranty</b>	<a href="http://www.lutron.com/TechnicalDocumentLibrary/warranty.pdf">www.lutron.com/TechnicalDocumentLibrary/warranty.pdf</a> <a href="http://www.lutron.com/TechnicalDocumentLibrary/Intl_warranty.pdf">www.lutron.com/TechnicalDocumentLibrary/Intl_warranty.pdf</a>

## Design Features

- Adjustable back-light intensity.
- Faceplate snaps on with no visible means of attachment.
- Use Faceplate or Button Kits to change color or engraving.
- Field-changeable button and faceplate assemblies allow for customization. See [How to Build a Model Number \(Button Kits\)](#) as some restrictions apply.
- IP20 Rating.

# HomeWorks QS Wired Palladium Keypad

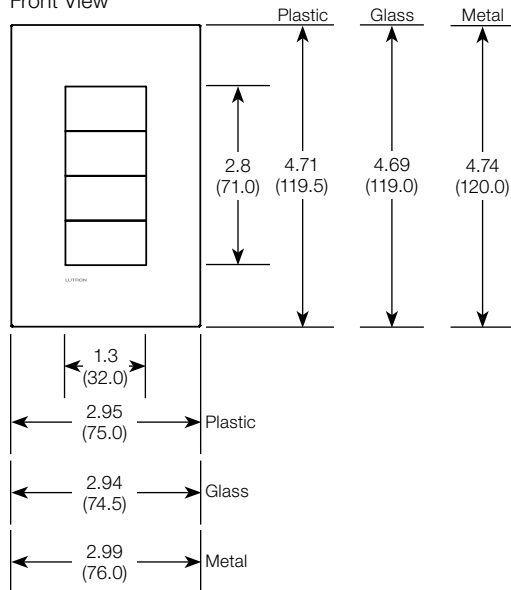
## Dimensions

### U.S. Style - Plastic, Glass, or Metal Finish

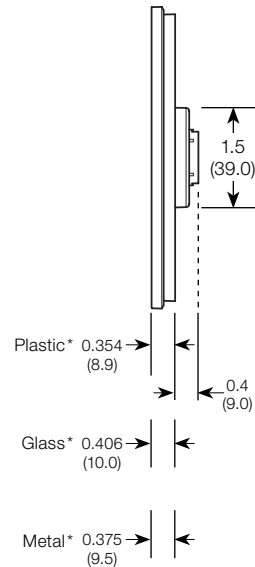
Measurements shown as: in (mm)

#### 1-Gang

Front View

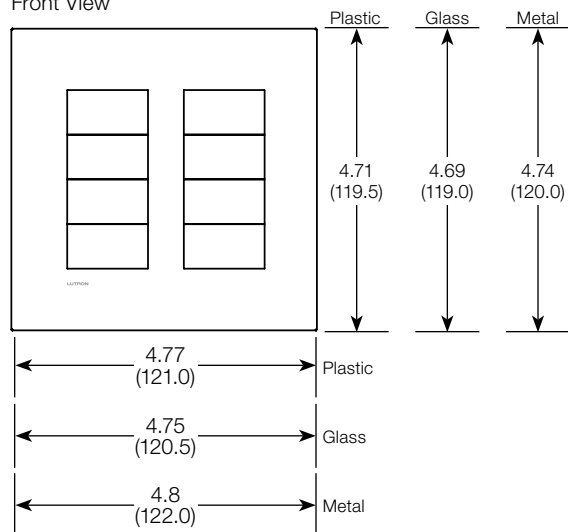


Side View

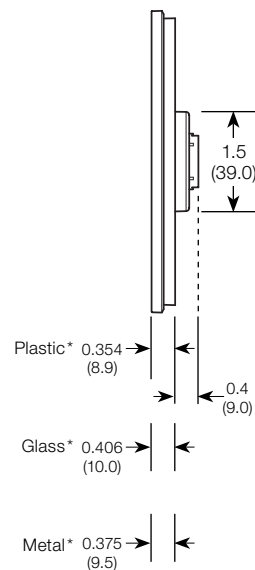


#### 2-Gang

Front View



Side View



\* Wallbox installation will affect this dimension.

(continued on next page...)

Customer Assistance:  
1.844.LUTRON1 (U.S.A./Canada)  
+44.(0)20.7680.4481 (Europe)

# HomeWorks QS Wired Palladium Keypad

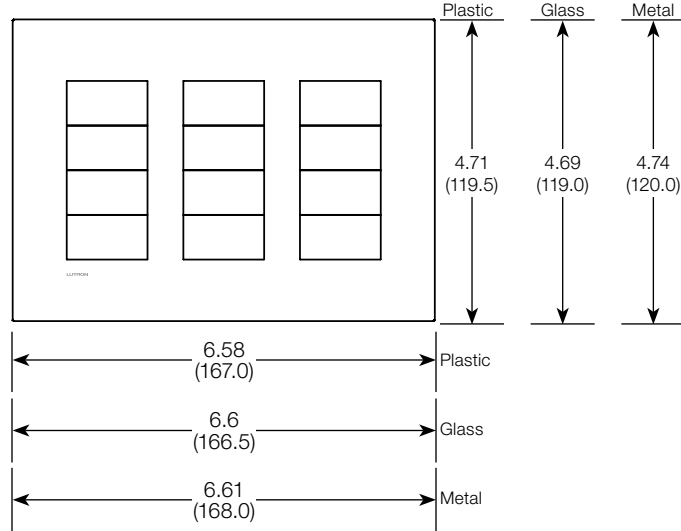
## Dimensions (continued)

### U.S. Style - Plastic, Glass, or Metal Finish (continued)

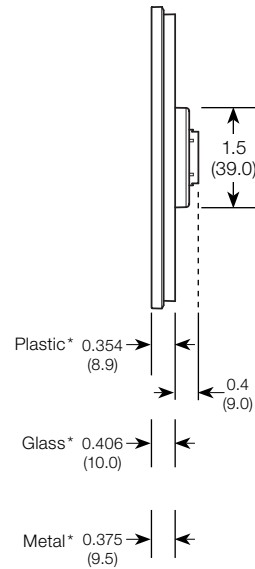
Measurements shown as: in (mm)

#### 3-Gang

Front View

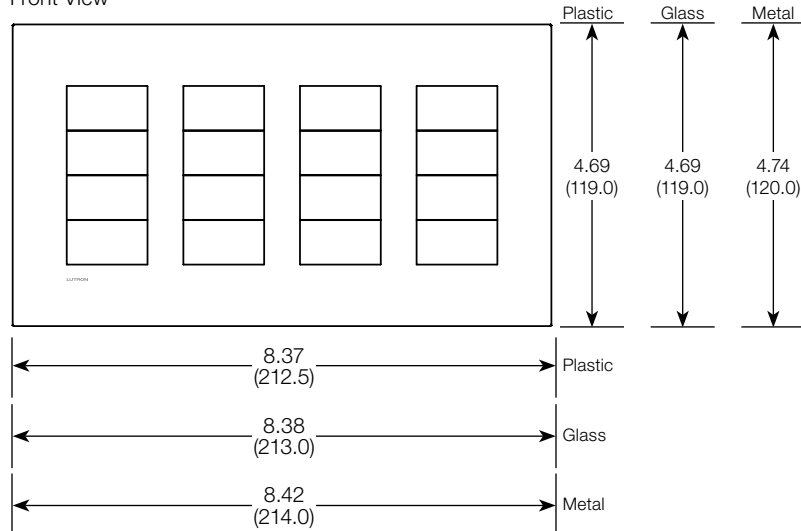


Side View

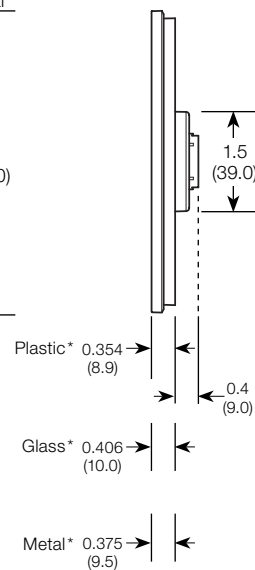


#### 4-Gang

Front View



Side View



\* Wallbox installation will affect this dimension.

# HomeWorks QS Wired Palladiom Keypad

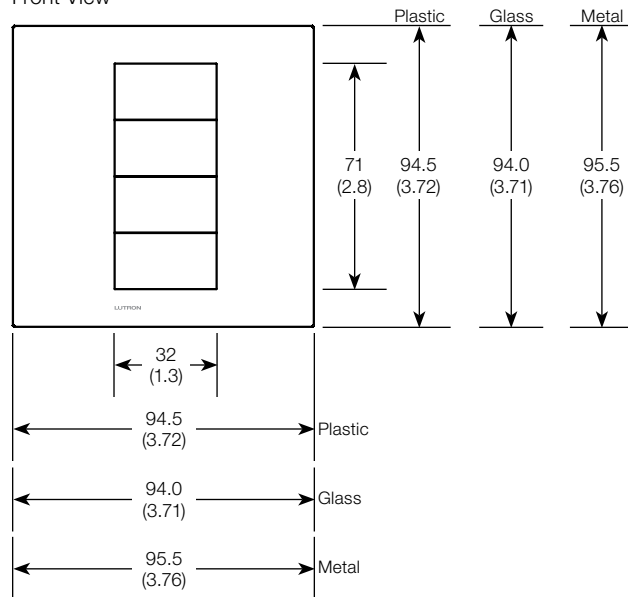
## Dimensions *(continued)*

### Square Style - Plastic, Glass, or Metal Finish

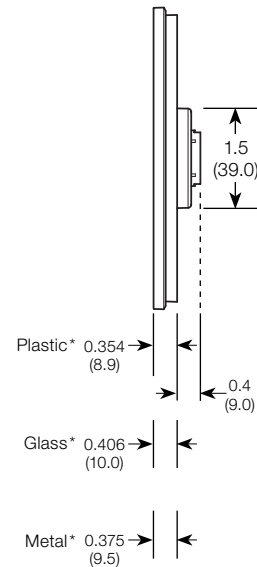
Measurements shown as: mm (in)

#### 1-Column

Front View

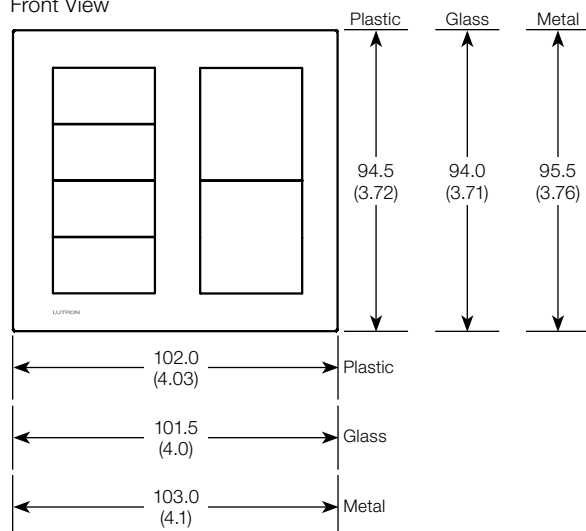


Side View

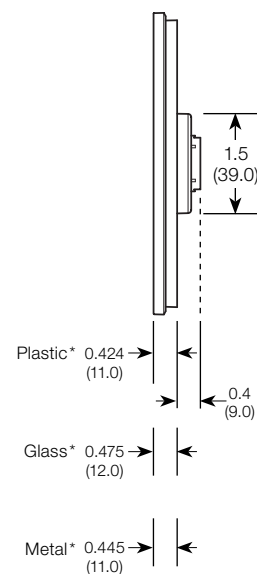


#### 2-Column

Front View



Side View



\* Wallbox installation will affect this dimension.

# HomeWorks QS Wired Palladiom Keypad

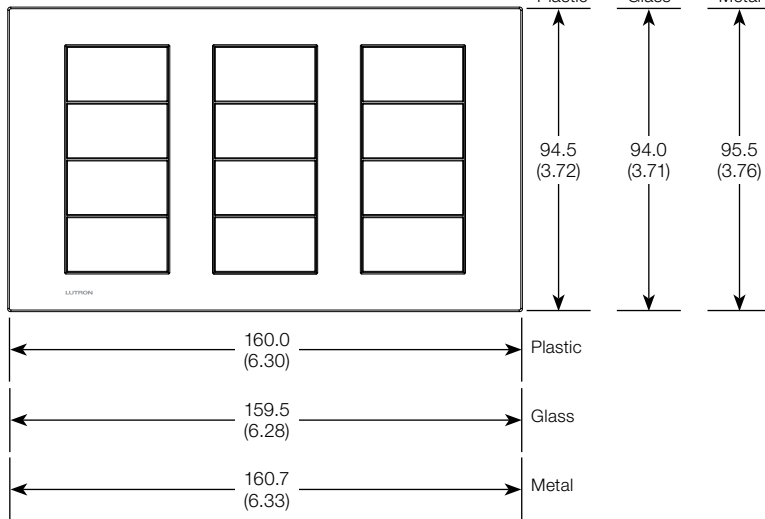
## Dimensions (continued)

### Square Style - Plastic, Glass, or Metal Finish (continued)

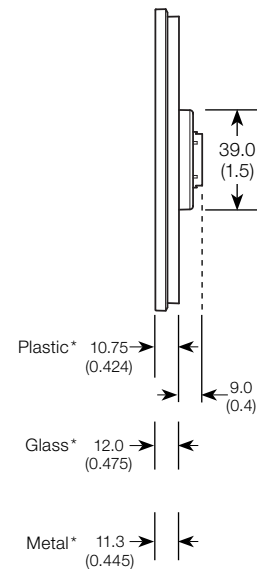
Measurements shown as: mm (in)

#### 3-Column

Front View

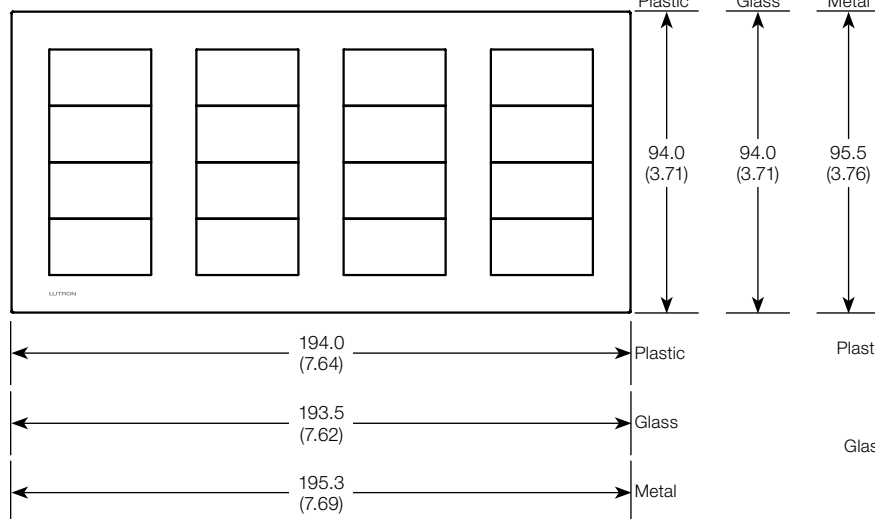


Side View

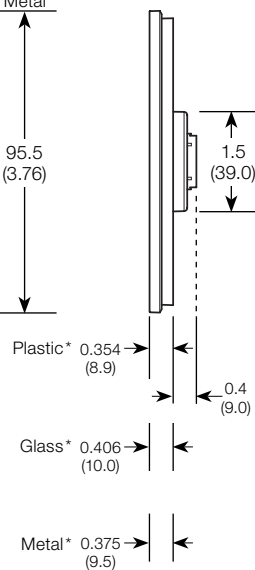


#### 4-Column

Front View



Side View



\* Wallbox installation will affect this dimension.

# HomeWorks QS Wired Palladiom Keypad

## How to Build a Model Number

### Keypads

HQWT – U – P2 W – WH – E

#### System Type

**HQWT:** HomeWorks QS

#### Faceplate Options

**B:** Base Unit without Faceplate\*

**U:** U.S. Style

**S:** Square Style

\* Base units are not interchangeable between plastic, metal, and glass.

#### Button Configurations

*1-Gang/Column, U.S. or Square Style*

**P2:** 2-Button

**P3:** 3-Button

**P4:** 4-Button

**PR:** 3-Button with Raise/Lower

*2-Column Square Style*

	<i>Left Column</i>	<i>Right Column</i>
<b>P22:</b>	2-Button	2-Button
<b>P24:</b>	2-Button	4-Button
<b>P2R:</b>	2-Button	3-Button with Raise/Lower
<b>PR2:</b>	3-Button with Raise/Lower	2-Button
<b>PRR:</b>	3-Button with Raise/Lower	3-Button with Raise/Lower
<b>P42:</b>	4-Button	2-Button
<b>P44:</b>	4-Button	4-Button
<b>P4R:</b>	4-Button	3-Button with Raise/Lower
<b>PR4:</b>	3-Button with Raise/Lower	4-Button

#### Backlighting

**W:** White

#### Colors and Finishes

*Architectural Matte Finishes*

**AL:** Almond

**BE:** Beige

**BL:** Black

**BR:** Brown

**GR:** Gray

**IV:** Ivory

**LA:** Light Almond

**SI:** Sienna

**TP:** Taupe

**WH:** White

*Architectural Metal Finishes*

**BB:** Bright Brass

**BC:** Bright Chrome

**BN:** Bright Nickel

**PG:** Polished Graphite

**QB:** Antique Brass

**SB:** Satin Brass

**SC:** Satin Chrome

**SN:** Satin Nickel

*Signature Metal Finishes*

**GP:** Graphite

*Glass Finish*

**CBL:** Clear Black Glass

**CWH:** Clear White Glass

#### Engraving

See **Engraving Options** for more details

**Omit:** Generic engraving and custom buttons\*

**E:** Predefined custom engraving\*\*

\* Ships with engraving credit to allow future engraving.

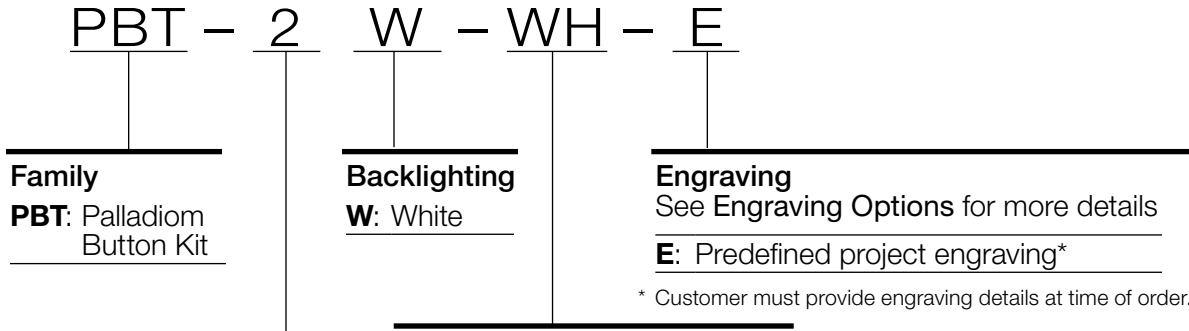
\*\* Customer must provide engraving details at time of order.

# HomeWorks QS Wired Palladiom Keypad

## How to Build a Model Number *(continued)*

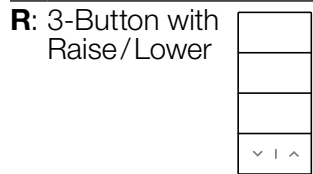
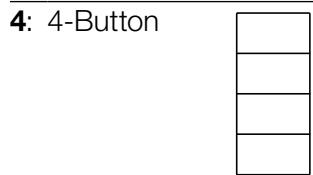
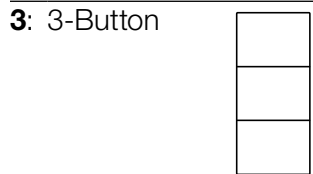
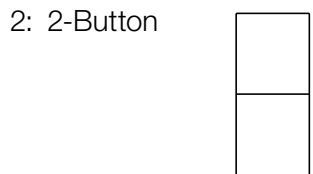
### Button Kits

Use Button Kits to change color, button configuration, and engraving. Each Button Kit includes a button assembly.



### Button Configurations

*1-Gang/Column, U.S. or Square Style*



### Colors and Finishes

Finishes for buttons and faceplates must always match (e.g., matte plastic buttons with matte plastic faceplate, metal buttons with metal faceplate).

#### Architectural Matte Finishes

- AL:** Almond
- BE:** Beige
- BL:** Black
- BR:** Brown
- GR:** Gray
- IV:** Ivory
- LA:** Light Almond
- SI:** Sienna
- TP:** Taupe
- WH:** White

#### Architectural Metal Finishes

- BB:** Bright Brass
- BC:** Bright Chrome
- BN:** Bright Nickel
- PG:** Polished Graphite
- QB:** Antique Brass
- SB:** Satin Brass
- SC:** Satin Chrome
- SN:** Satin Nickel

#### Signature Metal Finishes

- GP:** Graphite

#### Glass Finish

- CBL:** Clear Black Glass
- CWH:** Clear White Glass

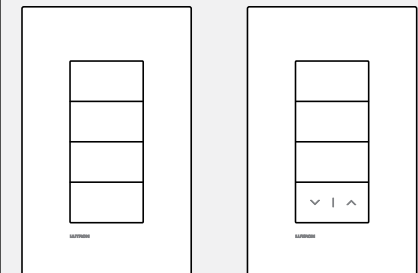
### Field Changes

#### Button engraving changes

Any keypad can have its buttons swapped in the field to change the engraving (e.g., 2-Button swapped for engraved 2-Button).

#### Button configuration changes

For easy system configuration changes, a 3-Button with Raise/Lower may be swapped in the field for a 4-Button.





# HomeWorks QS Wired Palladiom Keypad

## How to Build a Model Number *(continued)*

### Faceplate Kits

Use Faceplate Kits to change color and ganging. Each Faceplate Kit includes a faceplate adapter and faceplate.

**LWT – U – P – WH**

#### Family

**LWT:** Palladiom Faceplate Kit

#### Faceplate Options

**U:** U.S. Style

**S:** Square Style

#### Gangs\* and Openings

**P\*\*:** Palladiom Keypad

\* Palladiom Keypads do not gang with other devices of different sizes (e.g., Maestro or GRAFIK T controls).

\*\* Repeat the letter designation "P" (4 maximum) for each opening (e.g., 1-gang = P, 2-gang = PP). See How to Select a Palladiom Keypad.

#### Colors and Finishes

Finishes for buttons and faceplates must always match (e.g., matte plastic buttons with matte plastic faceplate, metal buttons with metal faceplate).

##### *Architectural Matte Finishes*

**AL:** Almond

**BE:** Beige

**BL:** Black

**BR:** Brown

**GR:** Gray

**IV:** Ivory

**LA:** Light Almond

**SI:** Sienna

**TP:** Taupe

**WH:** White

##### *Architectural Metal Finishes*

**BB:** Bright Brass

**BC:** Bright Chrome

**BN:** Bright Nickel

**SB:** Satin Brass

**SC:** Satin Chrome

**PG:** Polished Graphite

**QB:** Antique Brass

**SN:** Satin Nickel

##### *Signature Metal Finishes*

**GP:** Graphite

##### *Glass Finish*

**CBL:** Clear Black Glass

**CWH:** Clear White Glass

# HomeWorks QS Wired Palladiom Keypad

## Engraving Options

The Palladiom Keypad has engraving options ideal for many scenarios. The following information will help you determine which engraving option is best-suited to your needs.

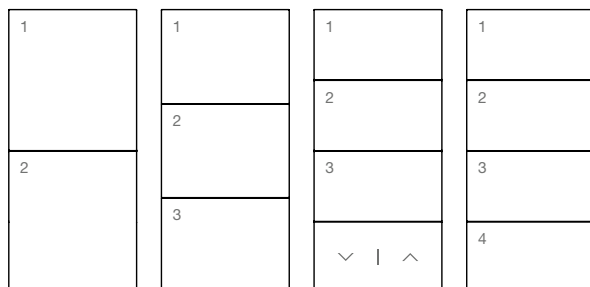
### Predefined Custom Engraving

Predefined project engraving is for instances when the customer knows the engraving details at the time of purchase and does not wish to order two sets of button kits. To select this option, use engraving option “E” when ordering the keypad.

**Note: Orders cannot be processed until engraving information is received.**

### Generic Engraving and Post-Defined Custom Engraving

When engraving details are not known or specified at the time an order is placed, the generic engraving icons shown below will be sent to provide the customer with a usable keypad until the custom engraving details are determined. This keypad will be shipped with an engraving credit for ordering a custom-engraved button kit at a later time.



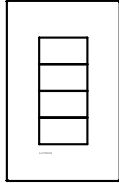
# HomeWorks QS Wired Palladiom Keypad

## How to Select a Palladiom Keypad

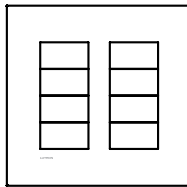
Examples of keypad and faceplate configurations are shown below.

### U.S. Style

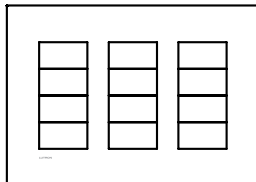
Model Number	Quantity	Assembled	Mount
<b>1-Gang Keypad</b>			
HQWT-U-P4W-WH	1	Yes	U.S. Wallbox



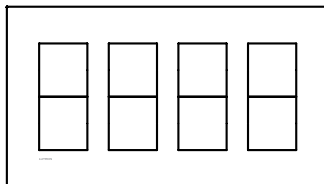
<b>2-Gang Keypad</b>			
HQWT-B-P4W-WH	2	No*	U.S. Wallbox
LWT-U-PP-WH	1		



<b>3-Gang Keypad</b>			
HQWT-B-P4W-WH	3	No*	U.S. Wallbox
LWT-U-PPP-WH	1		

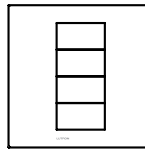


<b>4-Gang Keypad</b>			
HQWT-B-P2W-WH	4	No*	U.S. Wallbox
LWT-U-PPPP-WH	1		

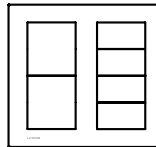


### Square Style

Model Number	Quantity	Assembled	Mount
<b>1-Column Keypad</b>			
HQWT-S-P4W-WH	1	Yes	Square or Round Wallbox

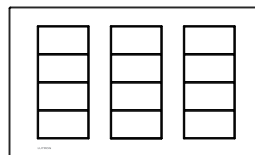


<b>2-Column Keypad</b>			
HQWT-S-P24W-WH	1	Yes	Square or Round Wallbox

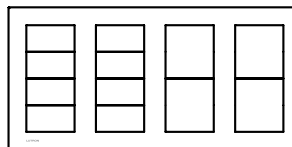


3-button configuration not available.

<b>3-Column Keypad</b>			
HQWT-B-P4W-WH	3	No*	EBB-1-3COL
LWT-S-PPP-WH	1		



<b>4-Column Keypad</b>			
HQWT-B-P44W-WH	1	No*	2 Square or Round Wallboxes
HQWT-B-P22W-WH	1		
LWT-S-PPPP-WH	1		



3-button configuration not available.

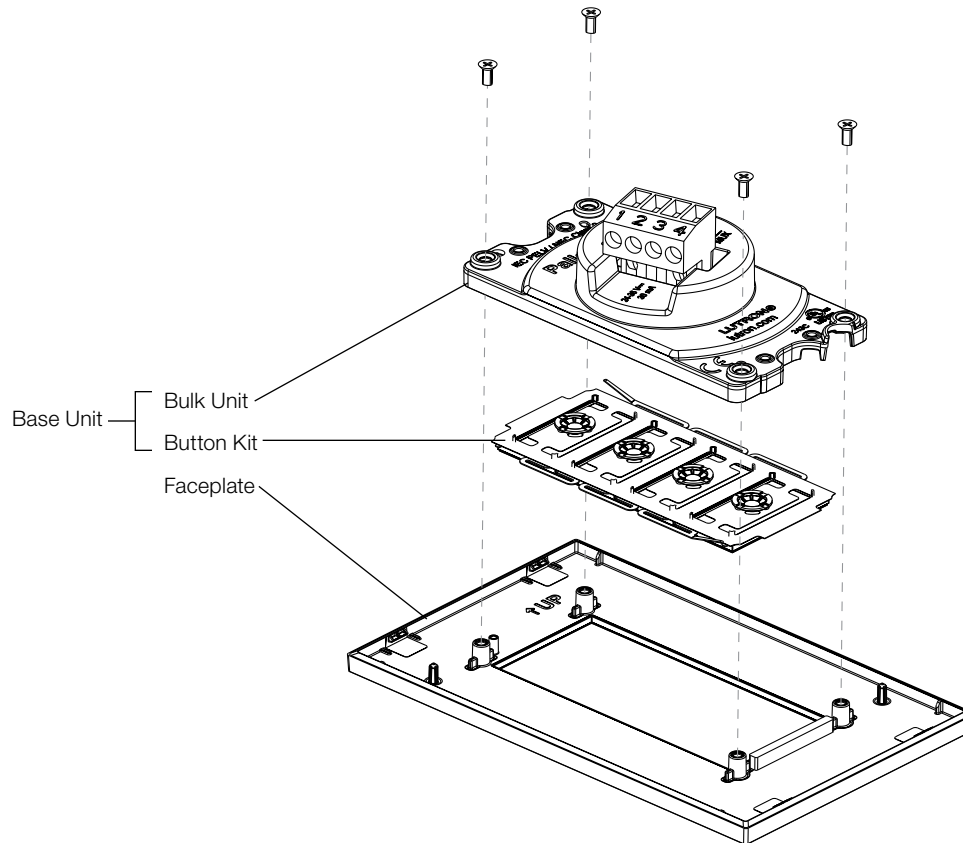
\* Model numbers must be ordered as separate pieces and assembled. See **Keypad Assembly**.

# HomeWorks QS Wired Palladiom Keypad

## Keypad Assembly

Tools Required: Phillips head screwdriver (not included)

1. Place button kit on back of faceplate.
2. Align bulk unit over button kit and faceplate.
3. Assemble using 4 screws (provided).
4. Repeat steps 1–3 for each base unit.

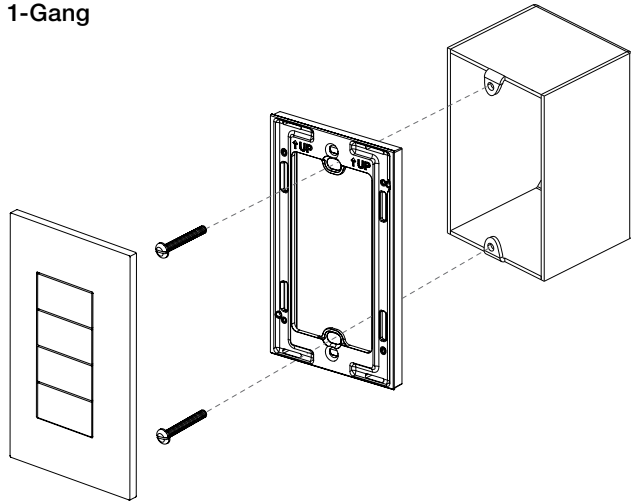


# HomeWorks QS Wired Palladiom Keypad

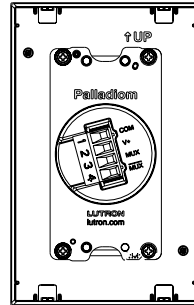
## Mounting

### U.S. Style

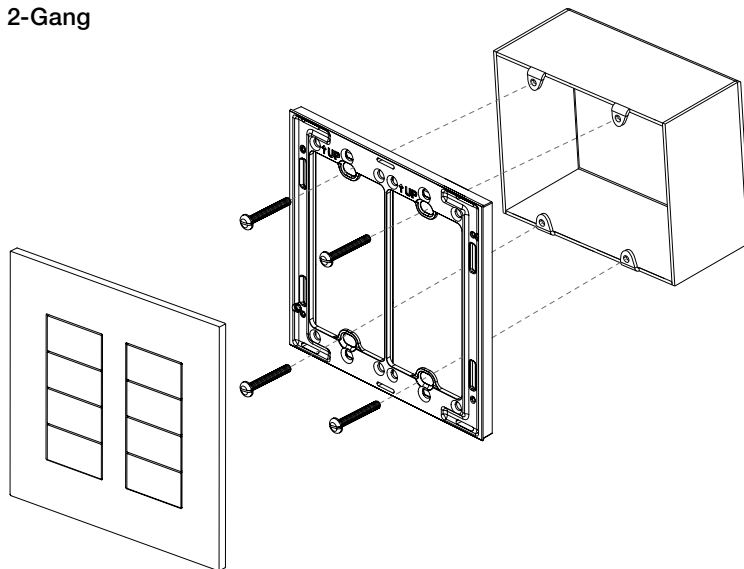
#### 1-Gang



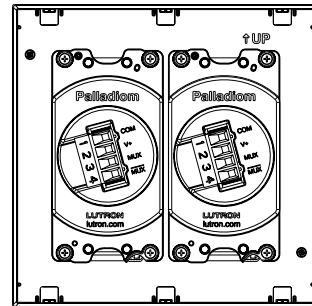
Back View



#### 2-Gang



Back View



(continued on next page...)

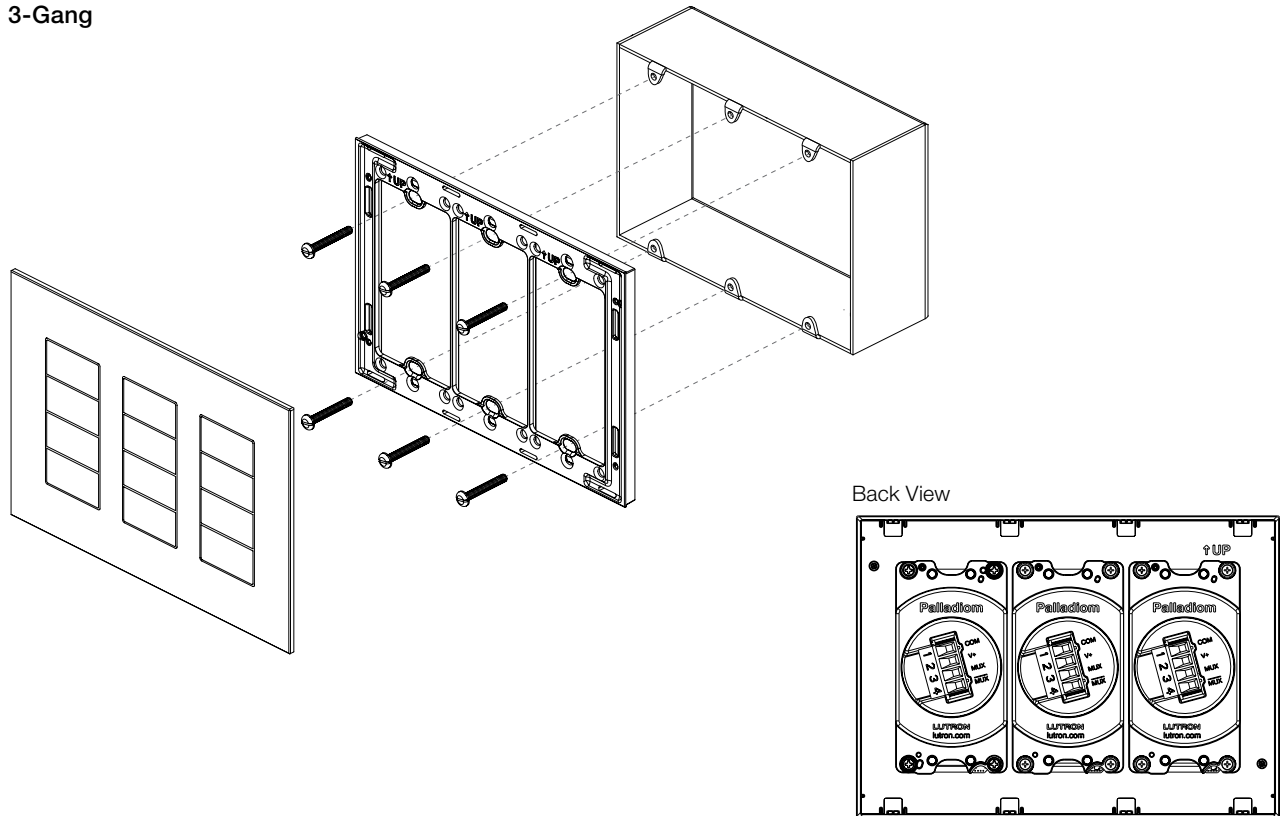
Customer Assistance:  
1.844.LUTRON1 (U.S.A./Canada)  
+44.(0)20.7680.4481 (Europe)

# HomeWorks QS Wired Palladiom Keypad

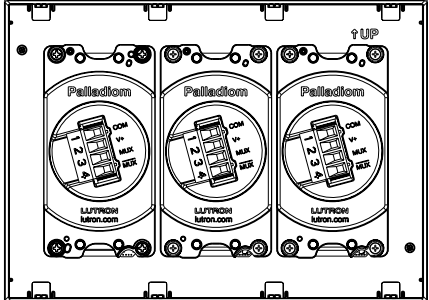
## Mounting *(continued)*

### U.S. Style *(continued)*

3-Gang



Back View



(continued on next page...)

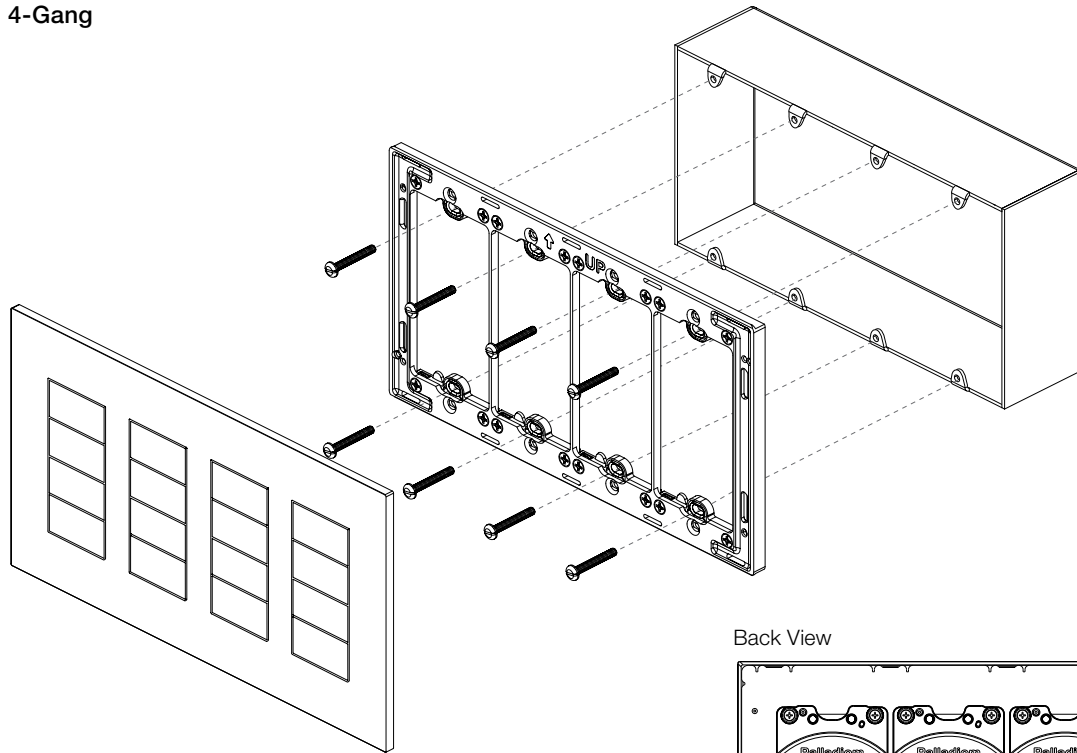
Customer Assistance:  
1.844.LUTRON1 (U.S.A./Canada)  
+44.(0)20.7680.4481 (Europe)

# HomeWorks QS Wired Palladiom Keypad

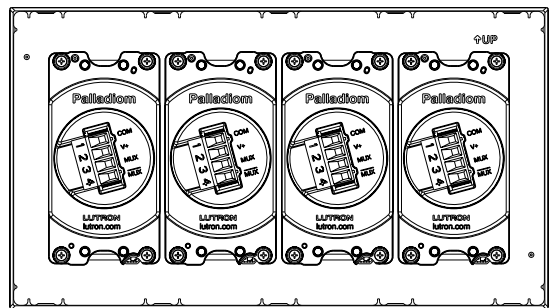
## Mounting *(continued)*

### U.S. Style *(continued)*

4-Gang



Back View



(continued on next page...)

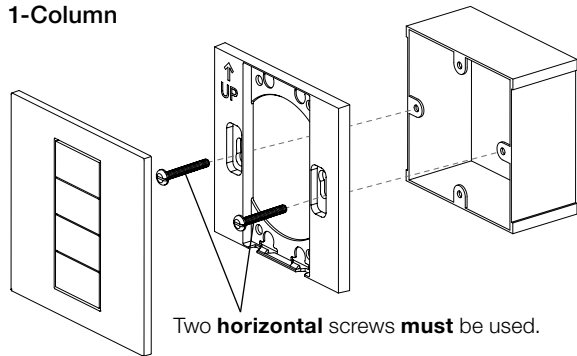
Customer Assistance:  
1.844.LUTRON1 (U.S.A./Canada)  
+44.(0)20.7680.4481 (Europe)

# HomeWorks QS Wired Palladiom Keypad

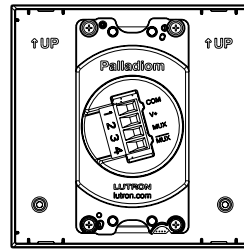
## Mounting *(continued)*

### Square Style (Square or Round Wallbox\*)

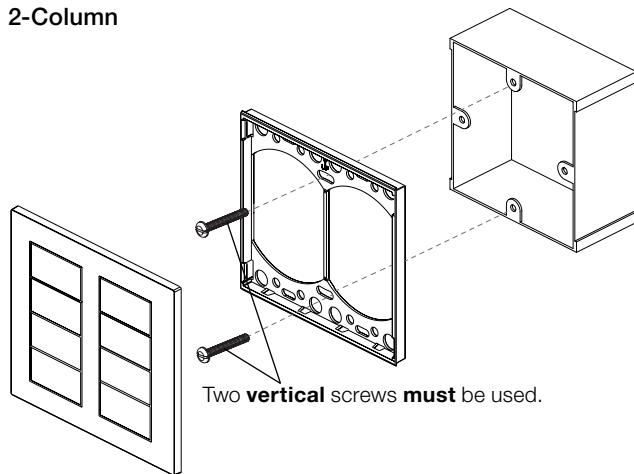
#### 1-Column



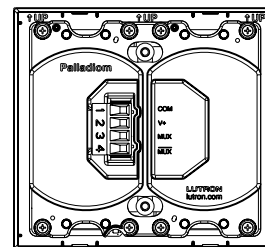
Back View



#### 2-Column



Back View



**Note:** 2-column base unit shown with 2-column faceplate.  
1 + 1 keypad configuration will not fit with a U.K. or European backbox.

\* Use wallbox with 4 available mounting screw holes for maximum flexibility.

(continued on next page...)

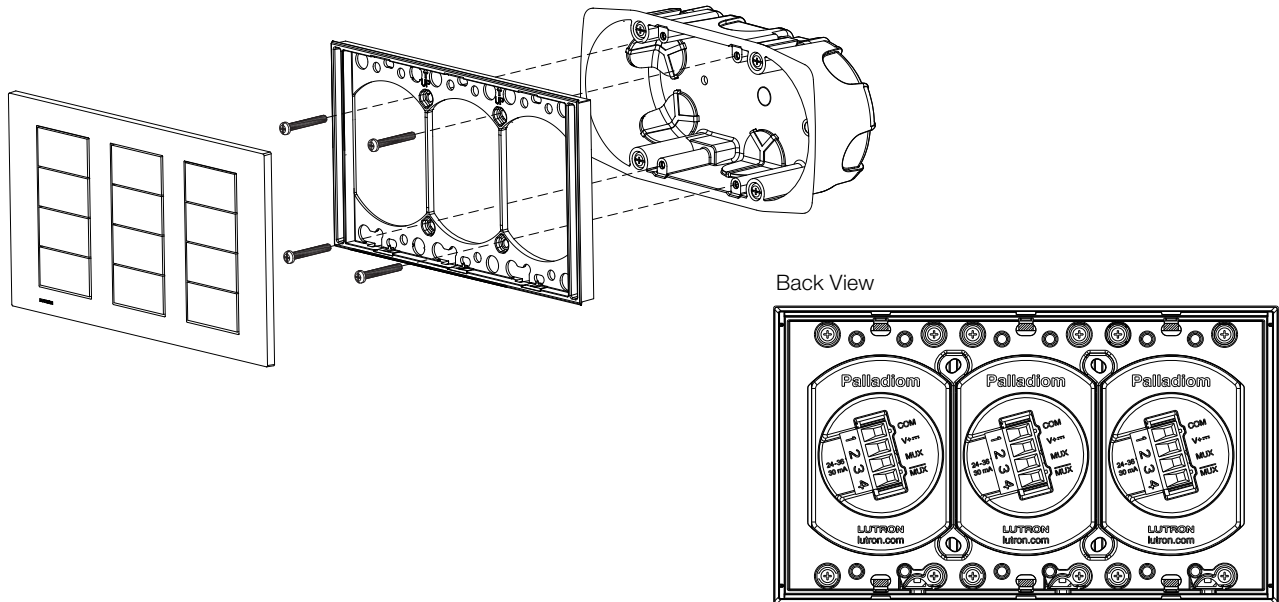


# HomeWorks QS Wired Palladiom Keypad

## Mounting *(continued)*

### Square Style (Square or Round Wallbox) *(continued)*

#### 3-Column<sup>1,2</sup>

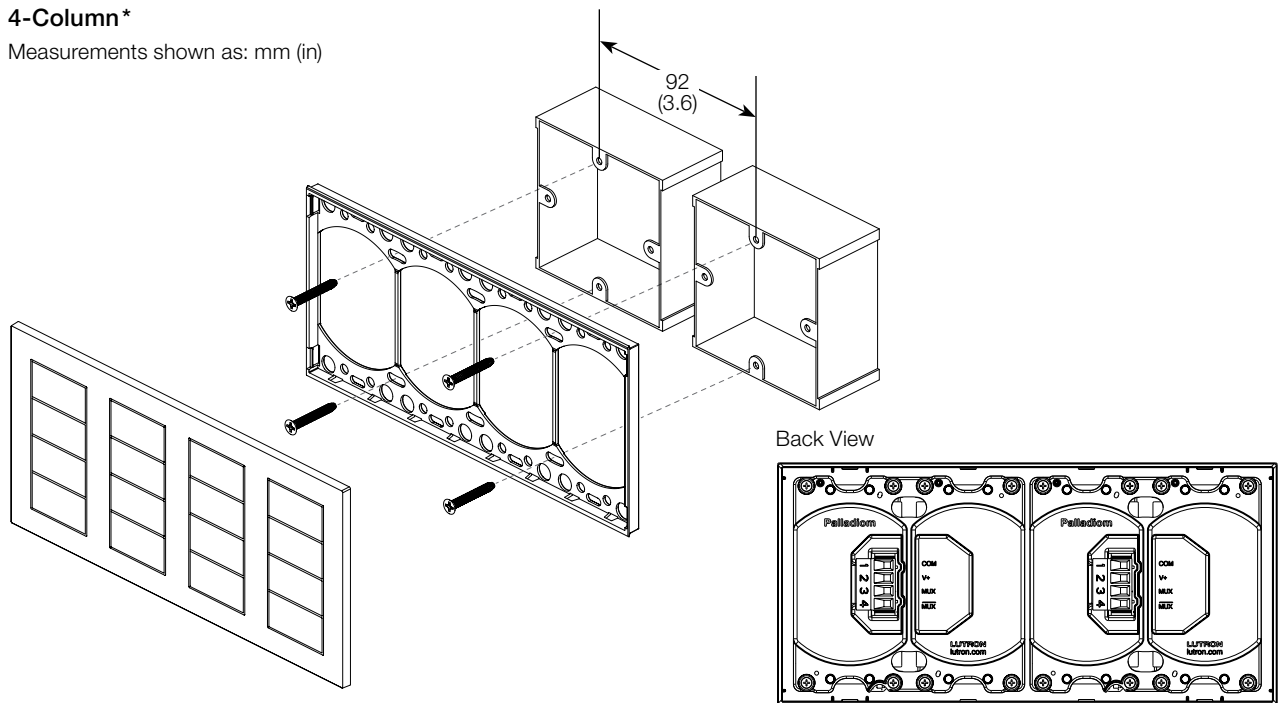


<sup>1</sup> Use Lutron part number EBB-1-3COL as wallbox for 3-Column wall installations.

<sup>2</sup> EBB-1-3COL is for hollow wall or plaster installations. Do not use for concrete pour installations. See Lutron App Note #705 (P/N 048705) at [www.lutron.com](http://www.lutron.com) for installation instructions.

#### 4-Column\*

Measurements shown as: mm (in)



**Note:** Two 2-column keypads shown. Four 1-column keypads cannot mount to wallboxes.

\* Use wallbox with 4 available mounting screw holes for maximum flexibility.

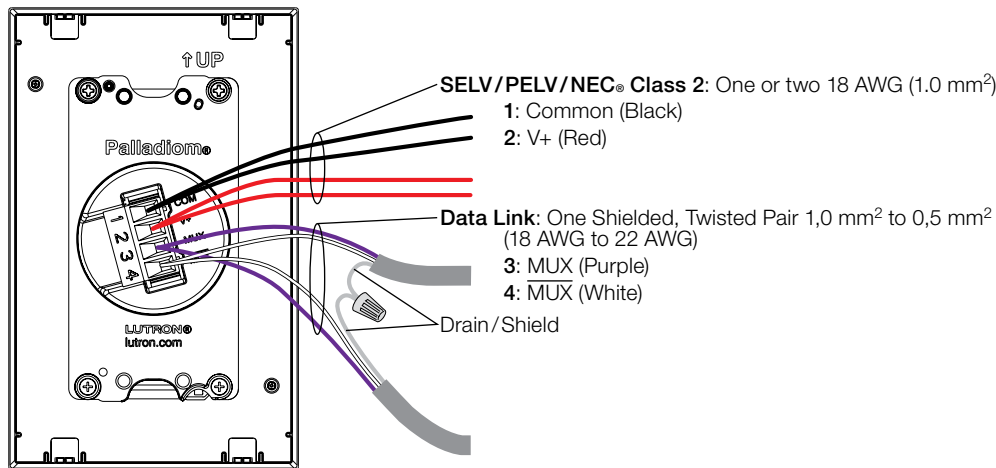
# HomeWorks QS Wired Palladiom Keypad

## QS Link Wiring

- Use SELV/PELV/NEC® Class 2 wiring to connect keypads to the QS link.
- Connect two 22 AWG (0.5 mm<sup>2</sup>) shielded, twisted pairs of wires to terminals 3 and 4 of the keypad control link connector. Shielding (drain) of the twisted-pair wires must be connected together as shown, but do not connect the shielding to earth/ground or to the keypad and do not allow the shielding to contact the grounded wallbox.
- The total length of wire on a QS wired link is not to exceed 2000 ft (610 m).

**Note:** Use appropriate wire connecting devices as specified by local codes.

- Each base unit model number counts as 1 device on the QS link.
- Each button column of a QS wired Palladiom Keypad consumes 1 power draw unit (PDU) on the QS link. For complete information, see “Power Draw Units on the QS Link” (Lutron P/N 369405).



# HomeWorks QS Wired Palladiom Keypad

## Colors and Finishes

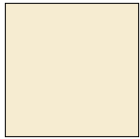
### Architectural Matte Finishes



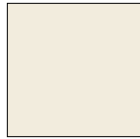
White  
WH



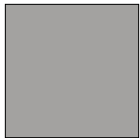
Ivory  
IV



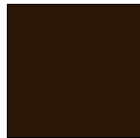
Almond  
AL



Light Almond  
LA



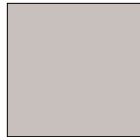
Gray  
GR



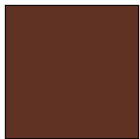
Brown  
BR



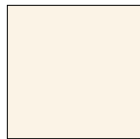
Black  
BL



Taupe  
TP



Sienna  
SI

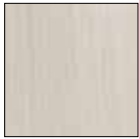


Beige  
BE

### Architectural Metal Finishes



Satin Brass  
SB



Satin Nickel  
SN



Satin Chrome  
SC



Polished Graphite  
PG

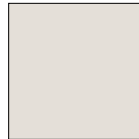
### Glass Finish



Clear White Glass  
CWH



Bright Brass  
BB



Bright Nickel  
BN



Bright Chrome  
BC



Antique Brass\*  
QB



Clear Black Glass  
CBL

### Signature Metal Finishes



Graphite  
GP

- Due to printing limitations, colors and finishes shown cannot be guaranteed to perfectly match actual product colors.
- PD-CK-1 finish chip sample set is available to represent these colors and finishes. Chips should not be used for exact matching of the color or finish.\*\*

\* Antique Brass is a handcrafted finish that is created using a manual relief process. This artisanal process can result in variations in luster, hue and appearance.

\*\* Contact Lutron prior to using any samples for matching of non-Lutron product.

Lutron, GRAFIK T, Maestro, myRoom, Palladiom, and Quantum are trademarks or registered trademarks of Lutron Electronics Co., Inc. in the US and/or other countries.

All other product names, logos, and brands are property of their respective owners.