

HomeWorks® QS Power Supply with Wire Harnesses

The HomeWorks® QS Power Supply provides power to the HomeWorks® QS processor as well as system devices and interfaces.

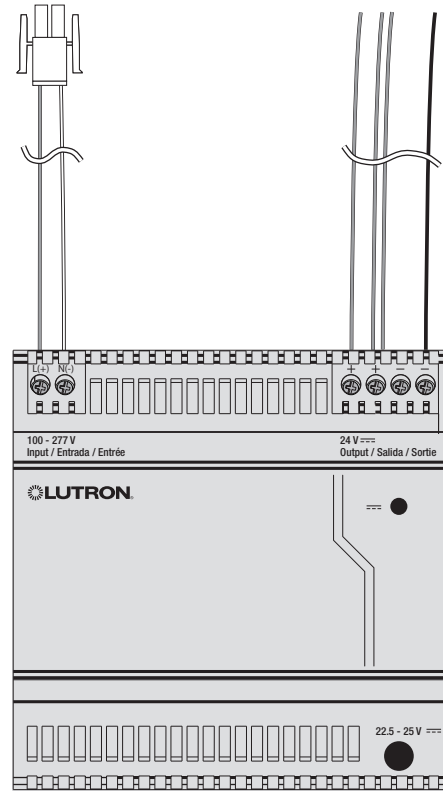
Featuring easy assembly on a DIN rail, the power supply unit delivers 24 V_{DC} output voltage and conforms with UL1310 for IEC SELV / NEC® Class 2 applications.

For power management details, use the HomeWorks® QS design utility and power draw documentation found on the Lutron® HomeWorks® Resources website (<http://resi.lutron.com/>).

HomeWorks® QS Power Supply with wire harnesses have 2 wire harnesses preinstalled. For installation outside a processor panel, order the QSPS-DH-1-75, which does not include a wire harness.

Model Number

QSPS-DH-1-75-H



HomeWorks® QS Power Supply with wire harnesses
QSPS-DH-1-75-H

HomeWorks® QS Power Supply with Wire Harnesses

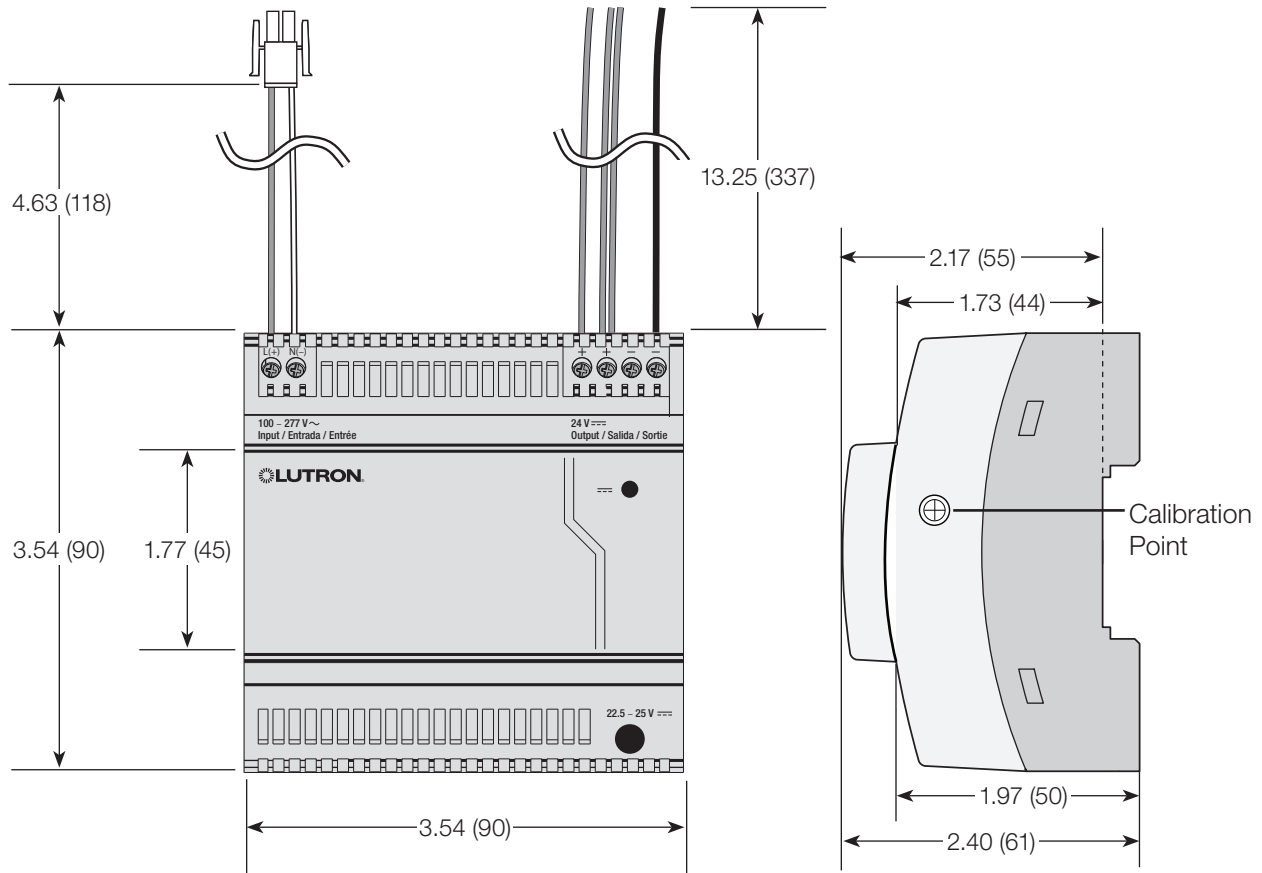
Specifications

Model Number	QSPS-DH-1-75-H	
Power	Nominal Input Voltage:	100 V~ to 277 V~ 50/60 Hz
	Frequency:	50/60 Hz
	Current Consumption, Fully Loaded (typical):	0.5 A (277V~)
		0.7 A (230V~)
		1.0 A (120V~)
1.3 A (100V~)		
Output:	24 V== +/- 1%, 2.5A IEC SELV/NEC® Class 2	
Power Draw Units (PDUs):	Supplies 75 PDUs maximum.*	
	* Use above this maximum will reduce the lifetime of the supply and void all Lutron warranties. For more information about Power Draw Units (PDUs), please refer to www.lutron.com/TechnicalDocumentLibrary/369405%20pdu%20spec%20submittal.pdf	
	BTU	28 BTU / h
Environment	Ambient operating temperature: 32 °F to 131 °F (0 °C to 55 °C).	
	Ambient operating humidity: 0% to 90% humidity, non-condensing. Indoor use only.	
	60 °C maximum calibration point temperature refer to: www.lutron.com/TechnicalDocumentLibrary/048466.pdf	
Mounting	Mount using 1.38 in (35 mm) DIN rail in accordance with EN 60715	
Dimensions	3.54 in (90 mm) × 3.54 in (90 mm) × 2.40 in (61 mm)	
Regulatory Approvals	UL, cUL, CE, NOM compliant	
Efficiency	Meets the U.S. Department of Energy level VI efficiency standard	
Warranty	www.lutron.com/TechnicalDocumentLibrary/Warranty.pdf	
	www.lutron.com/TechnicalDocumentLibrary/Intl_Warranty.pdf	

HomeWorks® QS Power Supply with Wire Harnesses

Dimensions

Measurements shown as: in (mm)



HomeWorks® QS Power Supply with Wire Harnesses

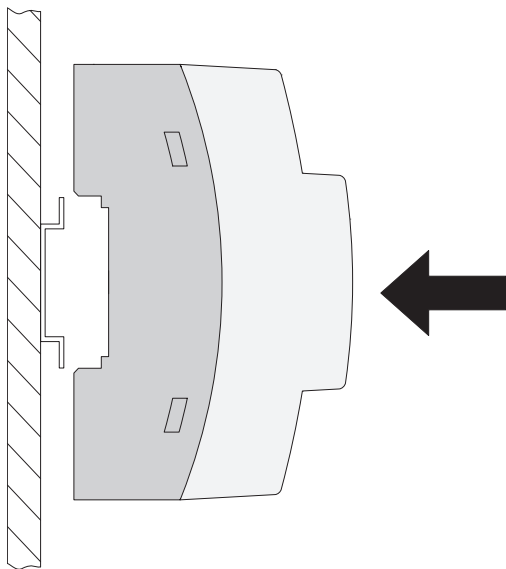
Mounting

- The power supply unit is suitable for use in HomeWorks® QS enclosures and applications only.
Note: For installation outside a processor panel order the QSPS-DH-1-75, which doesn't include a wire harness.
- Damage will result if this product is used with HomeWorks® Illumination or Interactive equipment.
- Mount the QSPS-DH-1-75-H Power Supply in a HomeWorks® QS enclosure.

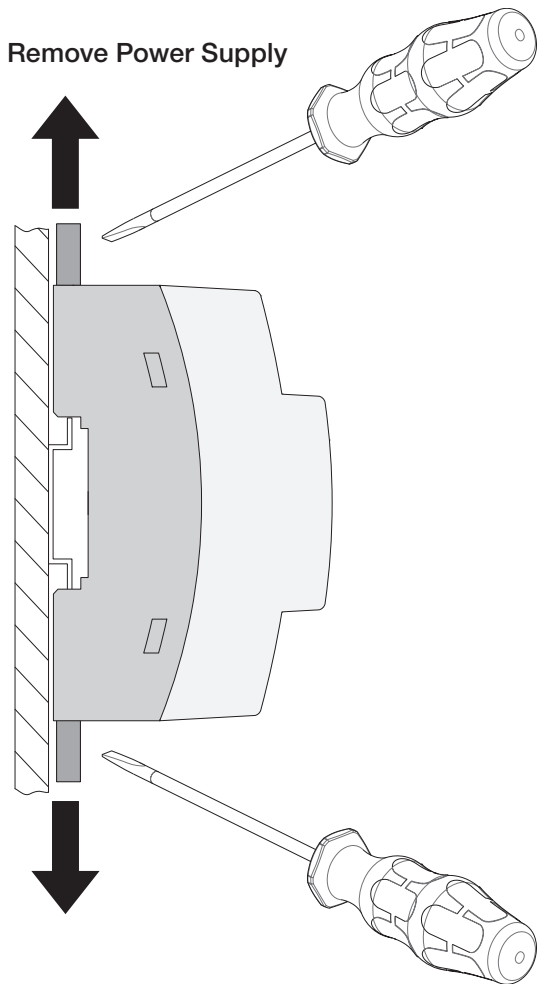
Note: This equipment is air-cooled. Mount in a location where the vented cover will not be blocked; minimum 1.18 in (30 mm) above and below is required to reduce the risk of overheating and possible damage to equipment. Failure to provide adequate space for cooling may result in overheating and void the warranty.

- The power supply can be snapped onto any DIN rail in accordance with EN 60715. The device must be mounted horizontally (connection terminal blocks on top).

Mount Power Supply

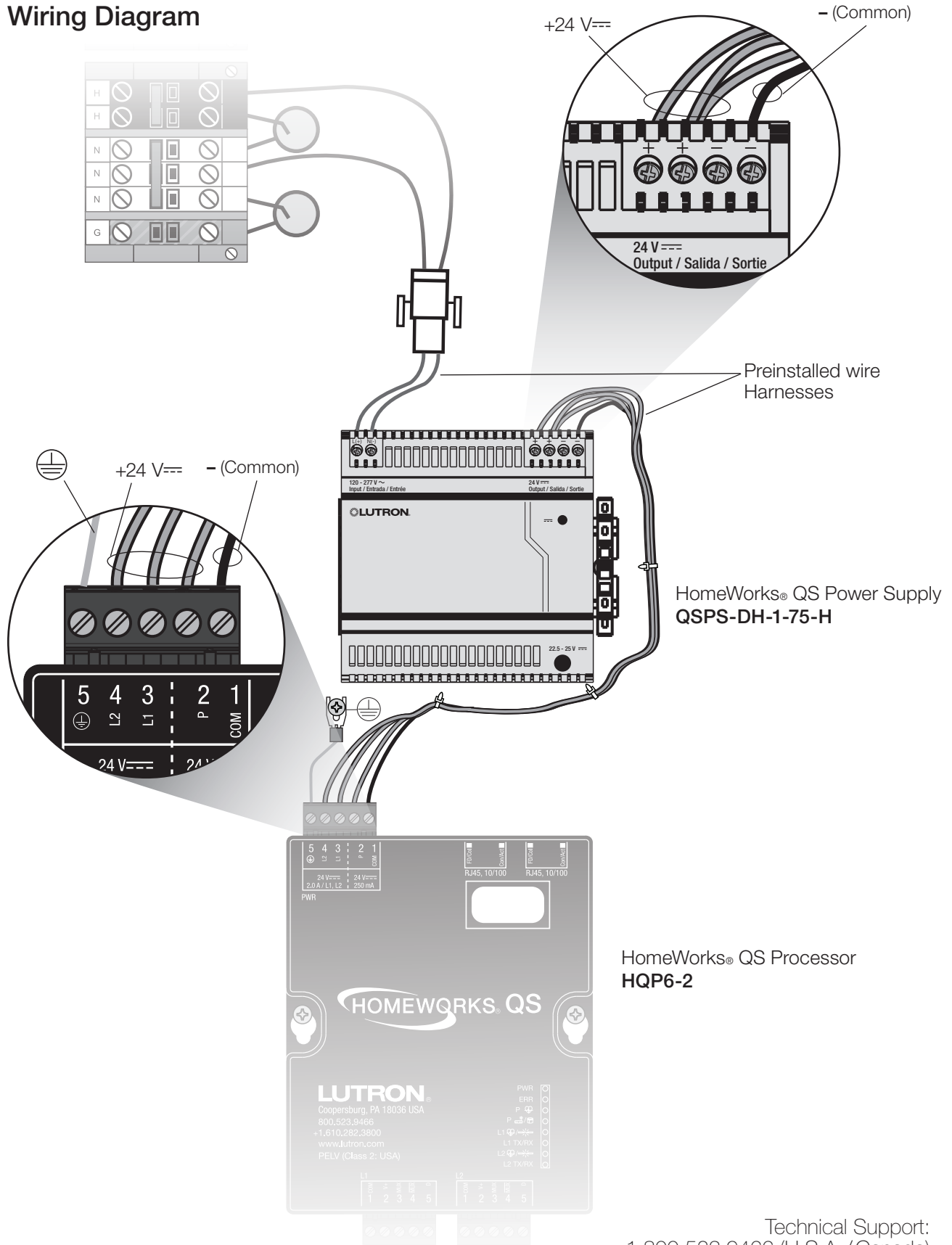


Remove Power Supply

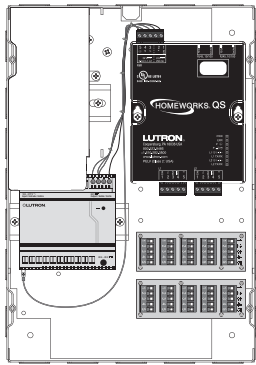


HomeWorks® QS Power Supply with Wire Harnesses

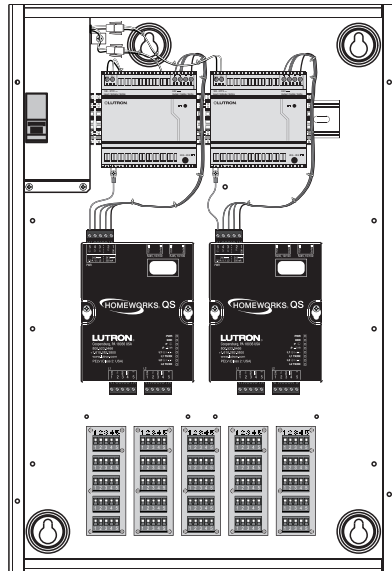
Wiring Diagram



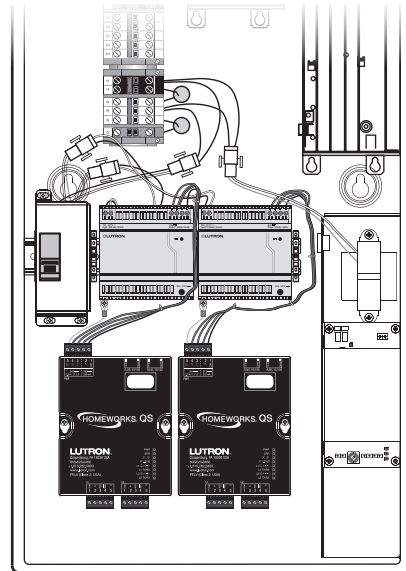
HomeWorks® QS Power Supply with Wire Harnesses Configuration



L-LV14



L-LV21/HQ-LV21



PNL-8

Power Supply Breaker Feed

QSPS-DH-1-75-H power supplies have a large capacitive inrush when first powered. A dedicated breaker feed with no more than the indicated number of power supplies is required to avoid nuisance tripping.

Voltage	Breaker Size/Type	Max QSPS-DH-1-75-H Units
100 V~ to 127 V~	15 A QO series standard trip curve	13
	20 A QO series standard trip curve	15
220 V~ to 277 V~	10 A (B trip curve)	2
	10 A (C trip curve)	3
	10 A (D trip curve)	6
	16 A (B trip curve)	3
	16 A (C trip curve)	5
	16 A (D trip curve)	10