

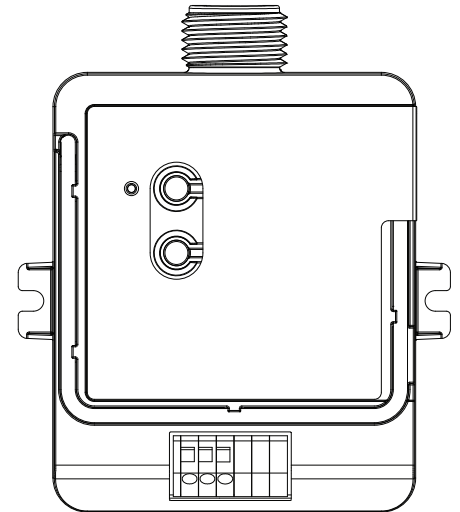
## Vive PowPak CCO Module

The PowPak CCO Module is a low-voltage radio frequency (RF) control that provides a single dry contact closure output based on input from Pico remote controls and Radio Powr Savr occupancy and daylight sensors. It can be powered by 24 V~ or 24 V== for easy connection and integration into building management, HVAC, VAV, and other 3rd-party systems.

Communication with RF input devices, such as Pico remote controls and Radio Powr Savr sensors, is accomplished using Lutron Clear Connect RF Technology.

These products are also compatible with the Vive hub which enables a simple setup process using a standard web browser on any Wi-Fi enabled phone, tablet or computer. It also enables control and monitoring of all Vive devices. The Vive hub can be added at any time. System reprogramming will be required. For a complete list of features supported with the Vive hub, see specification submittal 369902.

**Note for Replacement:** RMJS/URMJS - the "S" model can replace the non-"S" model.



RMJS-CCO1-24-B model shown

### Features

- Single contact closure output including both normally open (NO) and normally closed (NC) dry contacts
- Maintained output type
- Operates at 24 V~ or 24 V==
- Receives wireless inputs from up to 10 Pico remote controls, 10 Radio Powr Savr occupancy/vacancy sensors, and 1 Radio Powr Savr daylight sensor
- Utilizes Lutron Clear Connect RF Technology – refer to model number chart below for frequency band data
- Screw tabs provided for surface mounting (recommended); or mounts to a U.S. style junction box through a standard size knockout

|  |                              |
|--|------------------------------|
| <p><b>Job Name:</b></p><br><p><b>Job Number:</b></p> | <p><b>Model Numbers:</b></p> |
|--|------------------------------|

## Models

| Model Number   | Region                 | Operating Voltage | Frequency Band    |
|----------------|------------------------|-------------------|-------------------|
| RMJS-CCO1-24-B | U.S.A., Canada, Mexico | 24 V~ or 24 V---  | 433.05–434.79 MHz |
|                | Israel, Hong Kong      | 24 V~ or 24 V---  |                   |
| URMJS-CCO1-24B | U.S.A. (BAA Compliant) | 24 V~ or 24 V---  | 431.0–437.0 MHz   |

**NOTE:** Contact Lutron for frequency band compatibility for your geographic region if it is not indicated above.

|             |                |
|-------------|----------------|
| Job Name:   | Model Numbers: |
| Job Number: |                |

## Specifications

### Regulatory Approvals

#### RMJS-/URMJS- models

- UL® Listed (U.S.A.)
- FCC approved. Complies with the limits for a Class B device, pursuant to Part 15 of the FCC rules. (U.S.A.)
- Complies with requirements for use in other spaces used for environmental air (plenums) per NEC® 2014 300.22(C)(3)
- Classified in accordance with CAN/ULC-S142 as a discrete product certified for installation in an air-handling space
- CSA and IC (Canada) (RMJS- only)
- COFETEL (Mexico) (RMJS- only)

### Power

- IEC PELV/NEC® Class 2
- Operating voltage: 24 V~ / 24 V==
- Operating current, nominal: 45 mA (24 V~)  
35 mA (24 V==)
- Standby Power Consumption (all models): < 1.0 W

### System Communication


- Operates using Clear Connect RF Technology for reliable wireless communication; refer to model number chart on page 1 for frequency band details
- RF range is 30 ft (9 m) for RMJS- and URMJS- models
- Wireless sensors and controls must be located within 60 ft (18 m) line of sight, or 30 ft (9 m), through walls, of the associated control module. The 60 ft (18 m) range is not reduced by a ceiling tile obstruction.
- Contact Lutron first for applications using foil-backed or metallic ceiling tiles.

### Environment

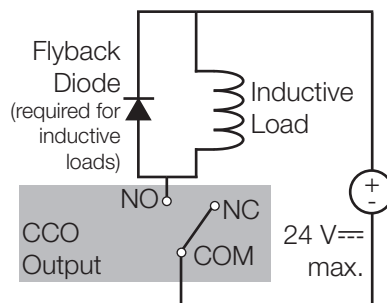
- Ambient operating temperature: 32 °F to 131 °F (0 °C to 55 °C)
- 0% to 90 humidity, non-condensing
- For indoor use only
- All drivers and ballasts used with Vive wireless controls must comply with the limits for a Class A device pursuant to Part 15 of the FCC Rules

### Contact Closure Output

- Accepts input voltages of 0–24 V~ / 0–24 V==; see chart below for load switching capacities

| Switching Voltage | Resistive Load  |
|-------------------|--|
| 0-24 V==          | 1.0 A  |
| 0-24 V~           | 0.5 A  |

- Provides both normally open (NO) and normally closed (NC) dry contacts
- Maintained output type
- CCO terminals accept 20 AWG to 16 AWG (0.5 mm<sup>2</sup> to 1.5 mm<sup>2</sup>) solid or stranded wire
- Output is latching
- The CCO is not rated to control unclamped, inductive loads. Inductive loads include, but are not limited to, relays, solenoids, and motors. To control these types of equipment, a flyback diode must be used (DC voltages only). See diagram below. For more information, please see Application Note #434 (P/N 048434).



**⚠WARNING – Entrapment Hazard** – May result in serious injury or death. These controls should only be used to control equipment which is visible from every control location.

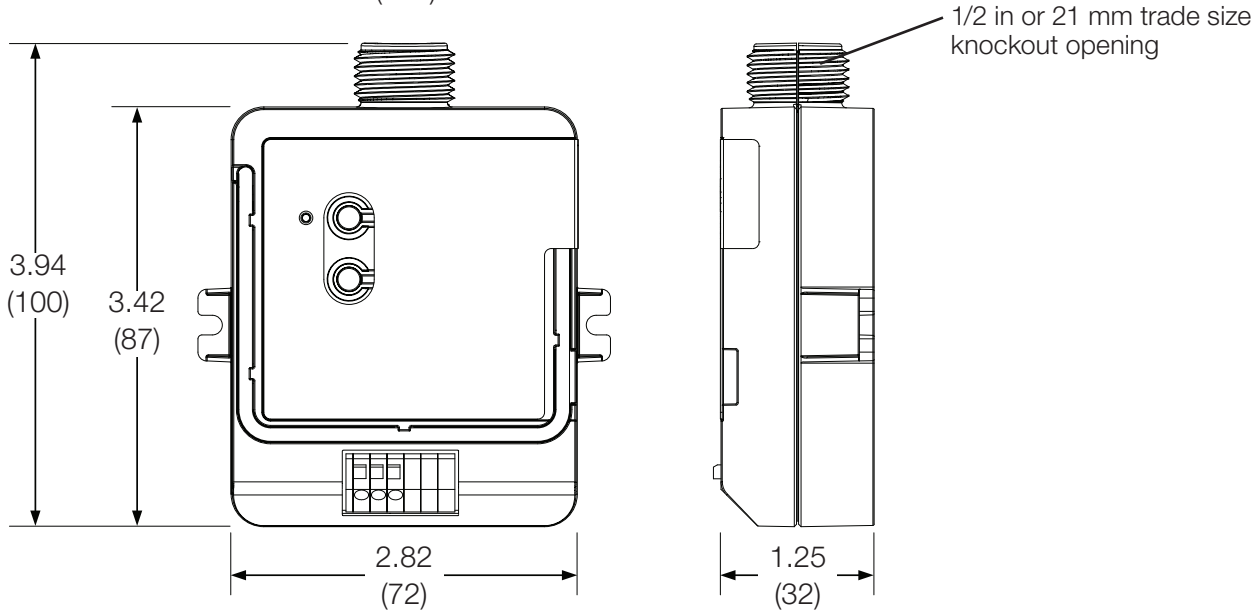
**⚠WARNING – Fire Hazard** – May result in serious injury or death. Only use these controls to operate approved load and equipment types.

**IMPORTANT NOTE:** Examples of such equipment which must not be operated by these controls include (but are not limited to) motorized gates, garage doors, industrial doors, microwave ovens, heating pads, fireplaces, space heaters, etc. It is the installer’s responsibility to ensure that the equipment being controlled is visible from every control location and that only suitable equipment is connected to these controls. Failure to do so could result in serious injury or death.

|                    |                       |
|--------------------|-----------------------|
| <b>Job Name:</b>   | <b>Model Numbers:</b> |
| <b>Job Number:</b> |                       |

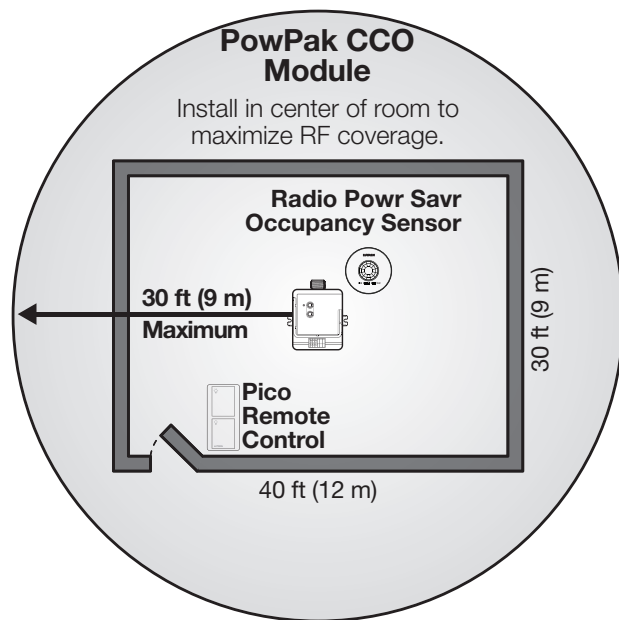
### Dimensions

Dimensions are shown as: in (mm)



### Range Diagrams

RMJS- and URMJS- models

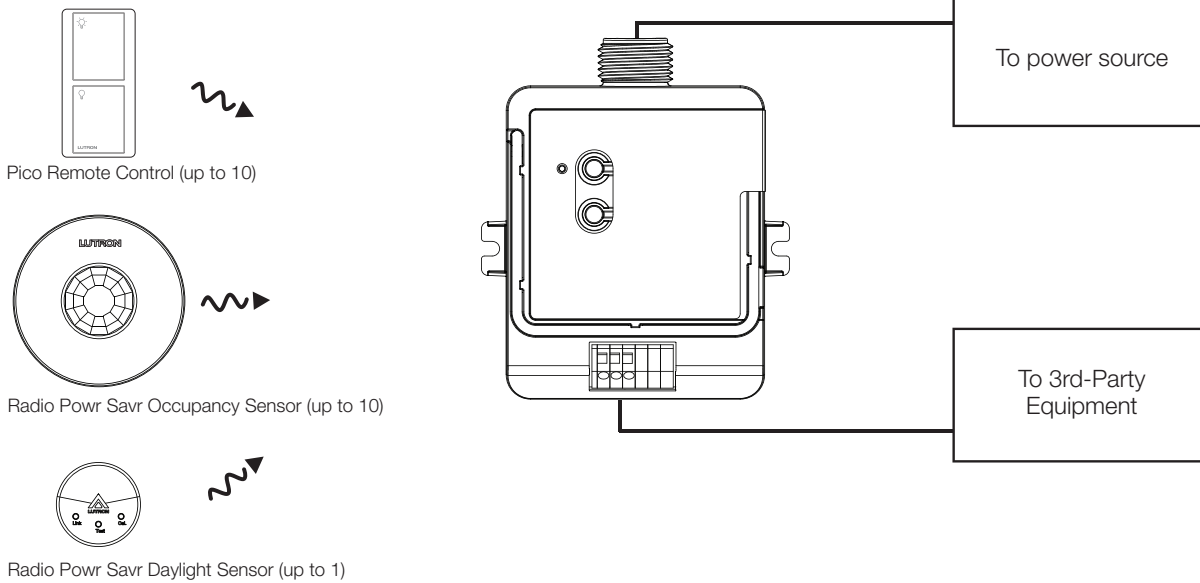


- Contact Lutron first for applications using foil-backed or metallic ceiling tiles.

**NOTE:** Wireless sensors and controls must be located within 60 ft (18 m) line of sight, or 30 ft (9 m), through walls, of the associated control module. The 60 ft (18 m) range is not reduced by a ceiling tile obstruction.

|             |                |
|-------------|----------------|
| Job Name:   | Model Numbers: |
| Job Number: |                |

### System Diagram

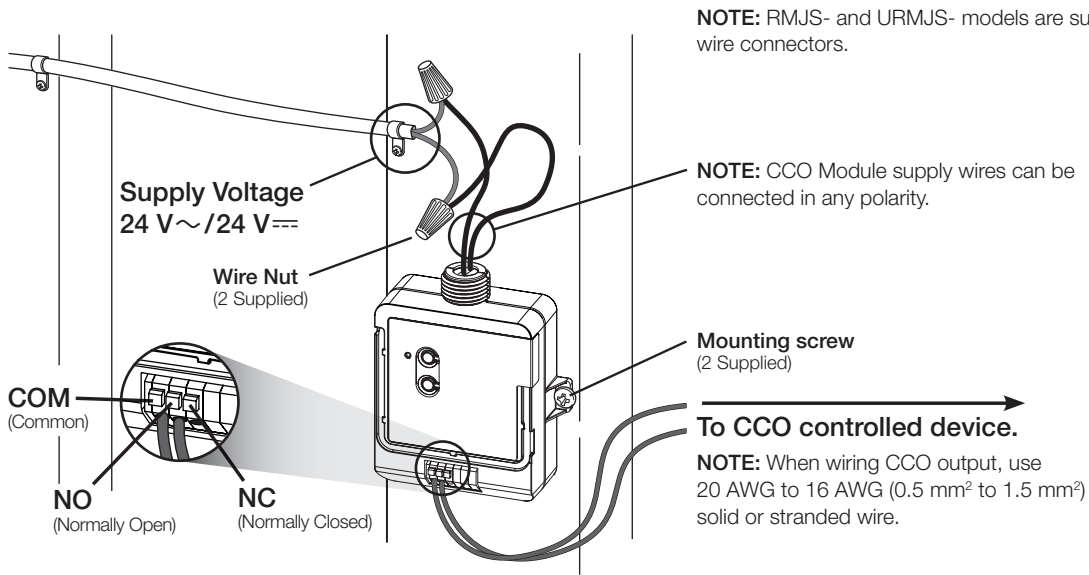


### Default Operation

| Transmitting Device              | Transmitted Command              | CCO Default Action    |
|----------------------------------|----------------------------------|-----------------------|
| Pico Remote Control              | On                               | NO = Close, NC = Open |
|                                  | Off                              | NO = Open, NC = Close |
|                                  | Raise                            | NO = Close, NC = Open |
|                                  | Lower                            | No Action             |
|                                  | Preset                           | NO = Close, NC = Open |
| Radio Powr Savr Occupancy Sensor | Occupied                         | NO = Close, NC = Open |
|                                  | Unoccupied                       | NO = Open, NC = Close |
| Radio Powr Savr Vacancy Sensor   | Occupied                         | No Action             |
|                                  | Unoccupied                       | NO = Open, NC = Close |
| Radio Powr Savr Daylight Sensor  | Ambient Light Below Target Level | NO = Close, NC = Open |
|                                  | Ambient Light Above Target Level | NO = Open, NC = Close |

|                    |                       |
|--------------------|-----------------------|
| <b>Job Name:</b>   | <b>Model Numbers:</b> |
| <b>Job Number:</b> |                       |

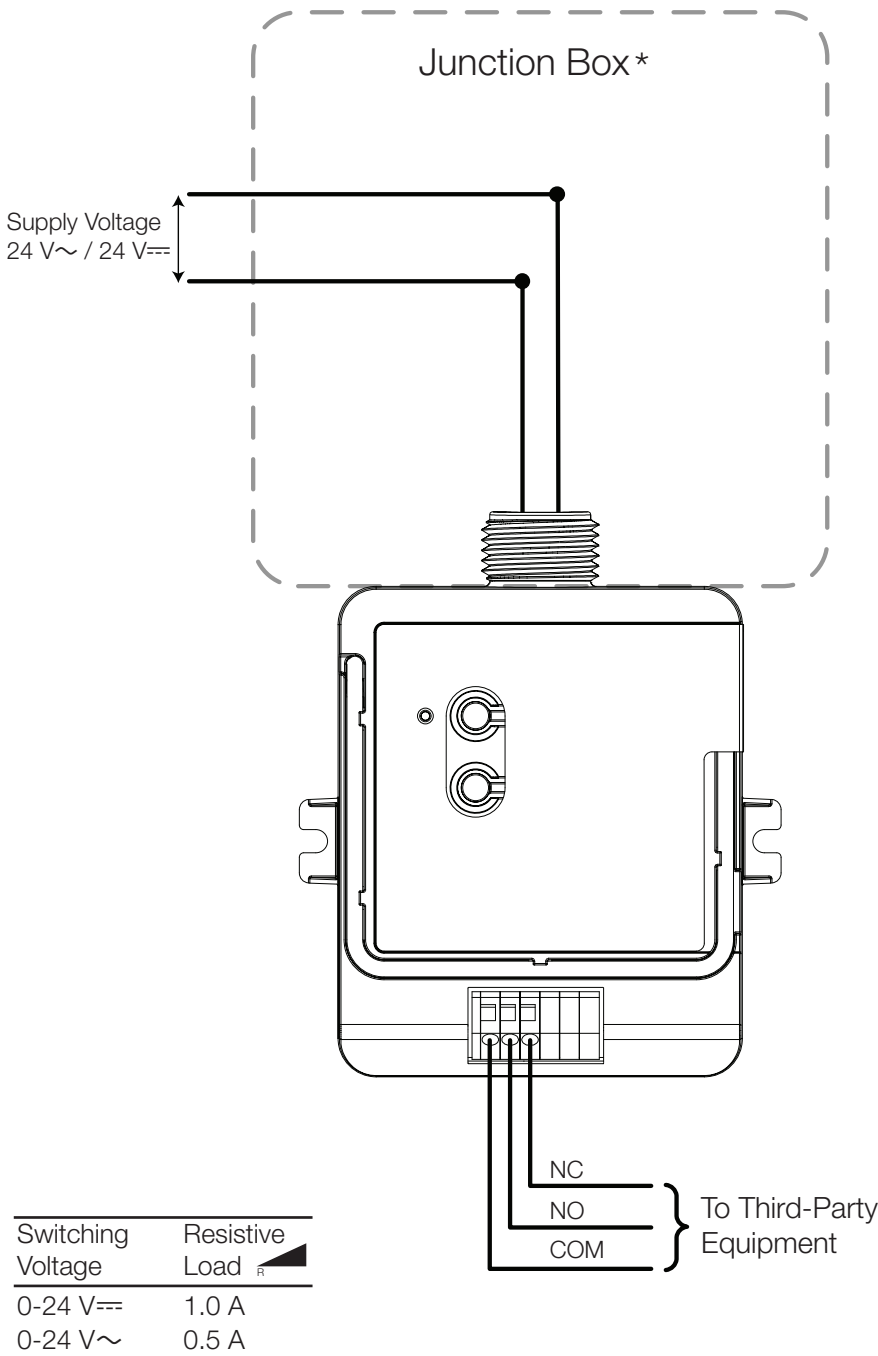
### Wiring Diagram (Recommended)



**NOTE:** The CCO output may be wired using either the NO or NC terminal. Refer to the Default Operation chart on page 6 for more information regarding the behavior of the CCO output terminals.

|             |                |
|-------------|----------------|
| Job Name:   | Model Numbers: |
| Job Number: |                |

Wiring Diagram (Junction Box Optional)



**\* NOTE:** Some applications (in U.S.A.) require the PowPak module to be installed inside an additional junction box. For information about how to perform this installation, please visit [www.lutron.com](http://www.lutron.com), Application Note #423 (P/N 048423). Please consult all local and national electric codes for proper installation methods.

The Lutron logo, Lutron, PowPak, Pico, Radio Powr Savr, Vive, and Clear Connect are trademarks or registered trademarks of Lutron Electronics Co., Inc. in the US and/or other countries.

All other product names, logos, and brands are property of their respective owners.

| LUTRON SPECIFICATION SUBMITTAL |                | Page |
|--------------------------------|----------------|------|
| Job Name:                      | Model Numbers: |      |
| Job Number:                    |                |      |