

LUTRON®

For Your Information ...



Cable recommendations for wiring Sivoia QED and the SVQ-10-PNL

Overview

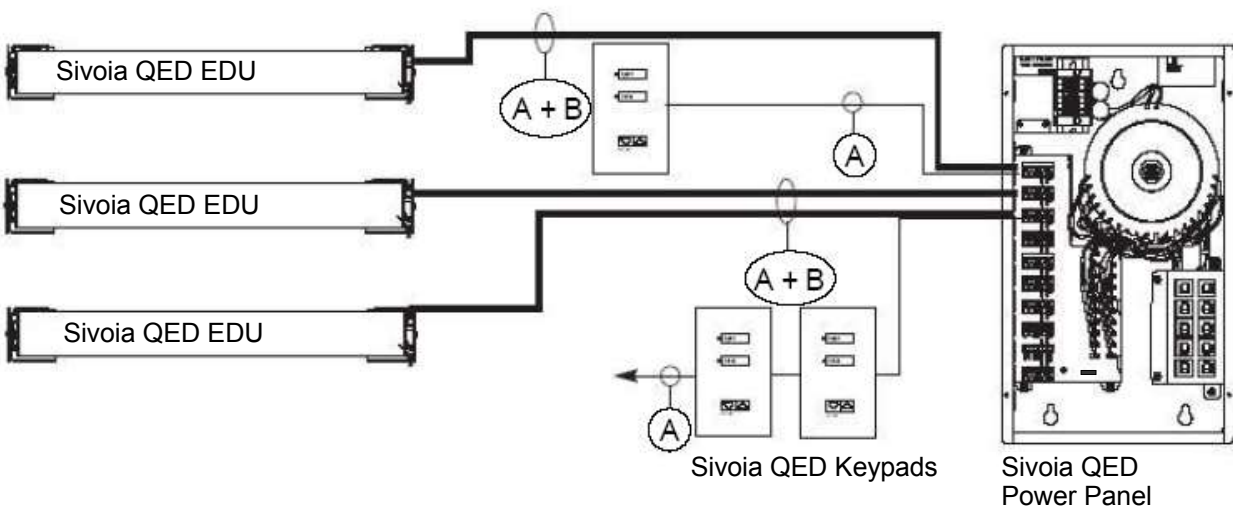
Lutron offers two cables that can be used to pre-wire for a Sivoia QED system. Lutron SVQ-CBL-250 combines power and communications, and Lutron GRX-CBL-346S-500 is communications cable. Several other wire manufacturers offer suitable wire for a Sivoia QED system. This document describes those specific wire types that can be used to make a successful Sivoia QED installation when using the SVQ-10-PNL.

Wiring

Wiring is made easier for most installations by using Sivoia QED power panels (SVQ-10-PNL) to land wiring. Each power panel can power up to 10 Sivoia QED Electronic Drive Units (EDUs), and provides terminal blocks to land wiring from EDUs, keypads, and other Sivoia QED system components.

Wiring using Sivoia QED power panels involves pulling both communications (A) and Class 2 power (B) from each roller shade or drapery EDU back to the power panel, and pulling communications (A) from each keypad location back to the power panel.

For convenience, Lutron SVQ-CBL-250 combines the communications and power wiring which must be run from each EDU to the power panel.



Recommended Sivoia QED Communications Cable

(A) Communications Wiring 4 conductors shielded: (2 cond. 18 AWG + 2 cond. 18-22 AWG)	Maximum wire lengths	
	Total communications	4000 feet
	Keypad to power panel	
	1 keypad	1000 feet
	2 keypads	500 feet
	3 keypads	300 feet
	4 keypads	200 feet
	EDU to power panel	200 feet

Suggested cable part numbers for Sivoia QED communications wire

<i>Supplier</i>	<i>Model Number</i>
Lutron www.lutron.com	GRX-CBL-346S-500 (non-plenum) GRX-PCBL346S-500 (plenum rated)
Belden www.belden.com	9418 (non-plenum) 89418 (plenum rated)
Liberty www.libertycable.com	LUTRON-YEL (non-plenum) 18-4C-PSH-WHT (plenum rated)

NOTE: CAT 5 wire is not acceptable for use as Sivoia QED communications or power wire.

Recommended Class 2 Sivoia QED EDU Power Cable

(B) Power Wiring 3 conductor 16 or 18 AWG	Maximum wire length	
	16 AWG EDU to panel	200 feet
	18 AWG EDU to panel	150 feet

Suggested cable part numbers for Class 2 Sivoia QED EDU power

<i>Supplier</i>	<i>Model Number</i>
Belden www.belden.com	5201UE (non-plenum – 16 AWG) 6201UE (plenum rated – 16 AWG)
Liberty www.libertycable.com	16-3C-GRY (non-plenum – 16 AWG) 18-3C-P-WHT (plenum rated – 18 AWG)

NOTE: CAT 5 wire is not acceptable for use as Sivoia QED communications or power wire.

Worldwide Technical and Sales Assistance

If you need assistance call the toll-free **Lutron Technical Support Center**. Please provide exact model number when calling.

24 hours/day + 7 days/week
 (800) 523-9466 (U.S.A. and Canada)
 Other countries call (610) 282-3800
 Visit us on the web at www.lutron.com

Lutron Electronics Co., Inc.
 7200 Suter Road
 Coopersburg, PA 18036-1299 U.S.A.
 Phone: (610) 282-3800
 Fax: (610) 282-3090
Lutron and Sivoia are registered trademarks and Sivoia QED is a trademark of Lutron Electronics Co., Inc.
 © 2003 Lutron Electronics Co., Inc.