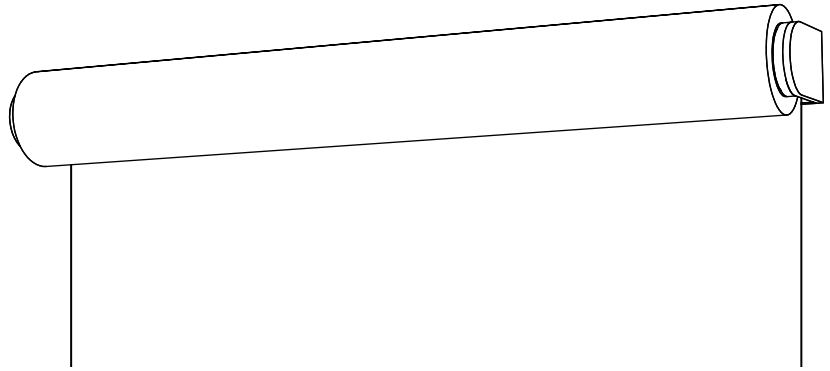


Palladiom Shading System

Lutron Palladiom Motorized Roller Shades are ideal for exposed applications. Controlled by an ultra-quiet, precision Sivoia QS Palladiom drive, these shades are mounted on solid aluminum or brass brackets that offer a refined aesthetic in a variety of finishes to match any setting.



Features

- Single shades up to 12 ft (3.66 m) wide
- Single shades up to 14 ft (4.27 m) tall
- Symmetrical light gaps, as small as ½ in (12 mm)
 - NOTE:** At high aspect ratio (tall and narrow) shade sizes, Lutron may apply a fabric deduction, which increases the size of the light gaps to compensate for the increased probability of telescoping
- Shades move in unison, maintaining alignment within ¼ in (3 mm) at all times
- Sound: 35 dBA measured 3 ft (0.91 m) from the EDU
- Bottom bar speed: 3.6 in/sec (91.4 mm/sec)
- Solid aluminum or brass shade brackets with concealed fasteners, available in a variety of finishes
- Ideally paired with the Palladiom Bottom Rail, available in matching finishes
- Available with a wide variety of fabric types, including sheer, translucent, and room darkening fabrics
- Power failure memory for the lifetime of the product
- Available in QS Wired and QS Wireless configurations
- Control/programming buttons are completely concealed, but easily accessed behind an aesthetic finishing ring on the drive bracket (for details, see **Finishing Rings** on page 10)
- Idler can be extended ¼ in (3 mm) to allow for installation tolerance. Extending the idler increases the bracket-to-bracket width of the shade, as well as the light gap on the idler side of the shade.

Power and Communication

- Compatible power sources
 - Individual Plug-In
 - › QSPS-P1-1-35V
 - › QSPS-P2-1-35V
 - › QSPS-P3-1-35V
 - 10-Output Power Panels
 - › QSPS-10PNL
 - › QSPSY-10PNL
 - Configurable Power Panels
 - › QSPS-10PNL-NPM (with WIN-PS-5CC-R installed)
 - › QSPS-30PNL-NPM (with WIN-PS-5CC-R installed)
 - Individual Junction Box
 - › QSPS-J-1-35V
- Low-voltage power and communication in a single 4-wire cable
- The connector provided with the shade is compatible with 16 AWG - 24 AWG (0.25 mm² - 1.5 mm²) solid or stranded wire (when using the wire housing WIN-WM-BOX-10, stranded wire is recommended due to its greater flexibility)

Accessories

- Bracket shims for each bracket type

IMPORTANT: Palladiom shades must be mounted to blocking or other suitable structural material. It is the responsibility of the installer to choose and install fasteners that are appropriate for the mounting surface such that each shade bracket can support 400 lbs (181 kg). For shades not in the Palladiom shade family, please contact Lutron for mounting guidelines.

Job Name:

Model Numbers:

Job Number:

Specifications

Low Voltage Power

- Operating voltage: Class 2, 35 V $\overline{=}$
- Power supply offers overvoltage protection (+/-10% of line voltage) for all devices in the system
- Power supply provides appropriate Electrostatic Discharge (ESD) protection for all devices in the system
- Power failure protection: Programming will not be lost if power is lost to the drive
- Power must be derived from a Lutron NEC $\text{\textcircled{R}}$ Class 2 power source

Flexible Configuration

- Digitally assign and reassign shades to controls, groups, and scenes
- Adjust limits locally via controls on the EDU
- Remotely adjust limits and grouping of QS shades via wired controls or system (HomeWorks, myRoom, Quantum, Athena)
- Remotely adjust limits and grouping of QS Wireless shades via system (HomeWorks, RadioRA 2, RA 2 Select, Caséta (Smart Hub PRO))
- No wired relays or wired group controllers required

System Capacity

- Standalone QS configuration supports 100 QS devices
- Standalone QS configuration supports 100 QS zones

Environment

- Temperature: 32° - 104° F (0° - 40° C)
- Humidity: 0% - 90%, non-condensing

Precision Control

- Preset positions can be easily programmed at any point between the open and close limits
- Shades stop within 1/8 in (3 mm) of programmed open, close, and preset positions
- Intelligent Hembar Alignment (IHA): Shades remain within 1/8 in (3 mm) alignment when stopped or moving

Compatible Systems and Controls

- Shades can be controlled by built-in shade columns on a GRAFIK Eye QS, or by low-voltage seeTouch QS keypads
- QS shades in a system connect to QS wired device links, and are compatible with:
 - HomeWorks QSX
 - HomeWorks QS*
 - myRoom Plus & myRoom XC
 - Athena
 - Quantum*
- QS Wireless shades (installed with Wireless Receiver, model QSYC-x-RCVR, via PALLADIOM Wireless Receiver Adapter, model QSYC-ADAPTER), are compatible with:
 - HomeWorks QSX
 - HomeWorks QS*
 - RadioRA 3
 - RadioRA 2
 - RA 2 Select
 - Caséta (Smart Hub PRO)
 - Pico Wireless Remote Control
 - 4-Group Remote Control

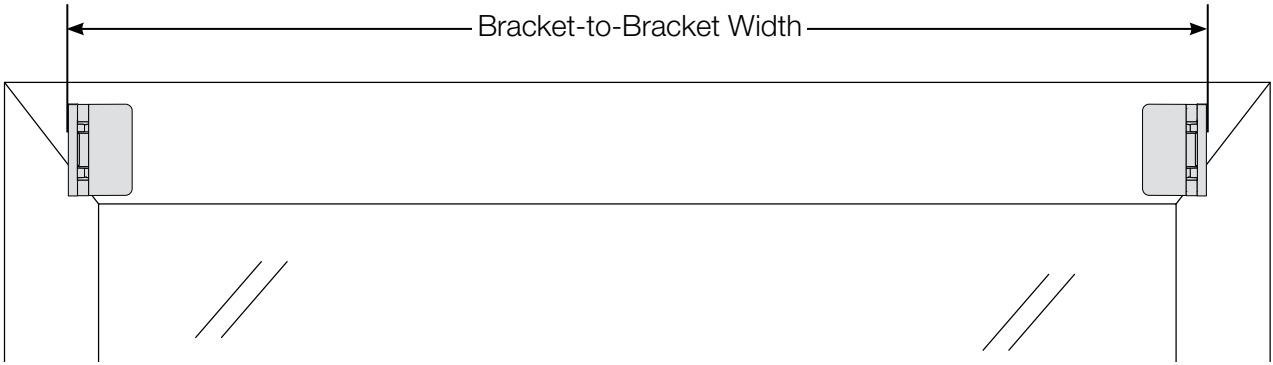
*Shades can be controlled by Radio Window sensors when installed as part of a HomeWorks or Quantum system

Integration

- EDUs seamlessly integrate with Lutron lighting controls
- Contact closure, RS232, and Ethernet available to integrate with AVV equipment such as timeclocks, security systems, and touch screens

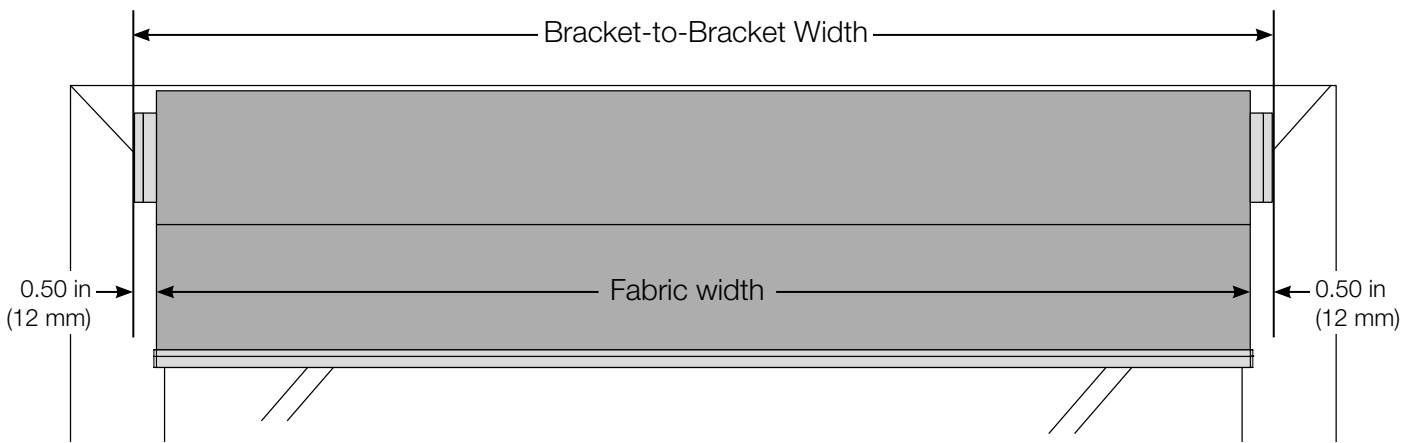
<p>Job Name:</p> <p>Job Number:</p>	<p>Model Numbers:</p>
------------------------------------------------------	------------------------------

Dimensions



Installed Shade

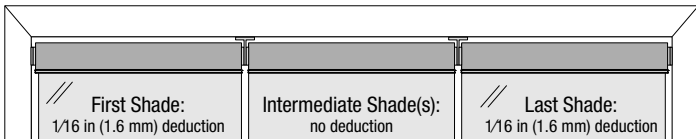
Wall Mount (outside mount)



Measurements & Deductions

Bracket-to-Bracket Width Deductions

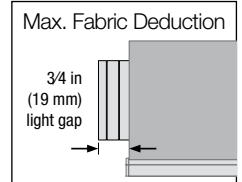
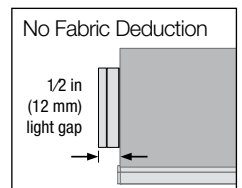
- Outside-mount shades: no deduction
- Inside-mount single and 2-shade systems: 1/16 in (1.6 mm)
- Inside-mount systems with 3 or more shades: 1/16 in (1.6 mm) deduction applies only to first and last shade



Example: Inside-Mount Multi-Shade System

Fabric Deductions

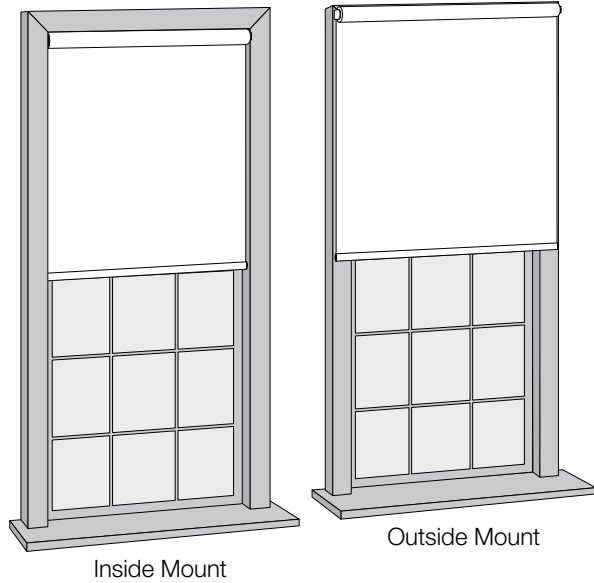
- Lutron may apply fabric deductions to tall, narrow shades
 - Maximum fabric deduction of 1/4 in (6 mm) per side, resulting in a light gap of 3/4 in (19 mm) per side
 - Fabric deduction does not reveal a bare shade tube; Palladiom shades feature a finished sleeve that matches the bracket to provide a clean appearance



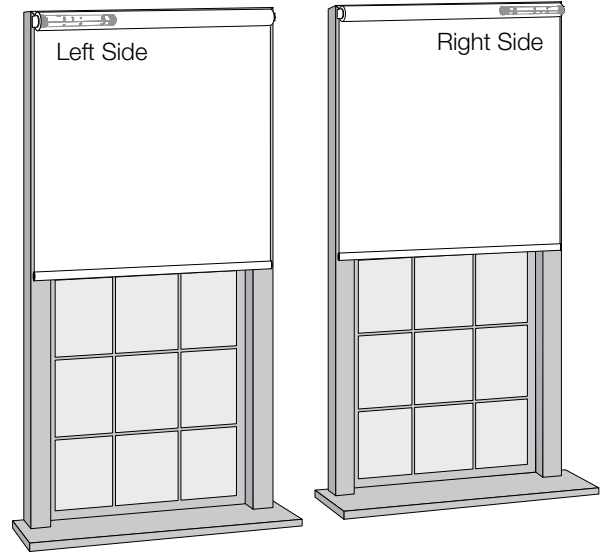
Job Name:	Model Numbers:
Job Number:	

Shade Options

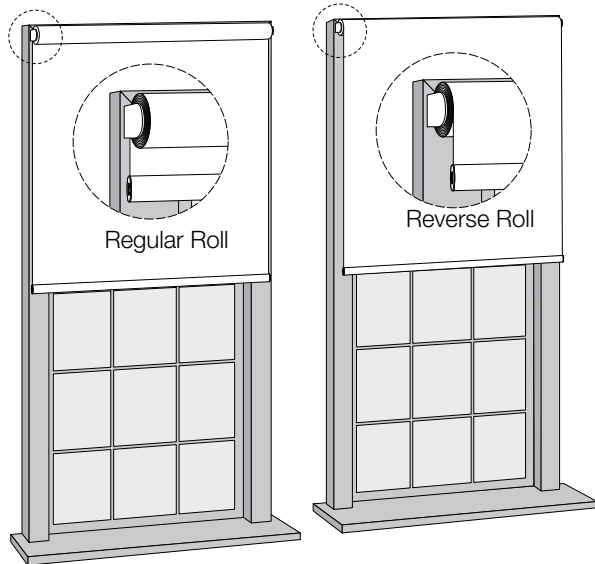
Mounting Options



Drive Side Options

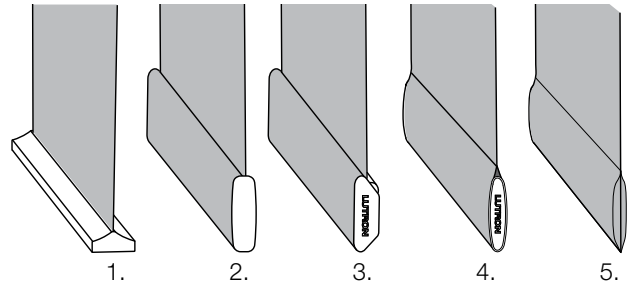


Fabric Drop Options



NOTE: Reverse roll is recommended for dual-sided fabric, otherwise the shade roll will be a different color than the hanging fabric.

Bottom Bar Options



1. Palladiom Bottom Rail*
2. Half-Wrap Architectural Bottom Bar with Metal Endcaps**
3. Half-Wrap Architectural Bottom Bar with Plastic Endcaps
4. Designer
5. Sealed (available in $\frac{3}{16}$ x 1 in [5 x 25 mm] or $\frac{7}{16}$ x $1\frac{3}{8}$ [11 x 35 mm])

* Finishes available:

- Pure White
- Clear Anodized
- Black Anodized
- Satin Nickel

** Finishes available:

- Pure White
- Clear Anodized
- Black Anodized
- Satin Nickel
- Brass
- Satin Graphite
- Aged Bronze

NOTE: The bottom bar may be ordered in different finish than brackets. For more information about finishes, colors, and other design options, please visit: lutron.com/en-US/Products/Pages/ShadingSystems/PalladiomShades/DesignOptions.aspx

Job Name:

Model Numbers:

Job Number:

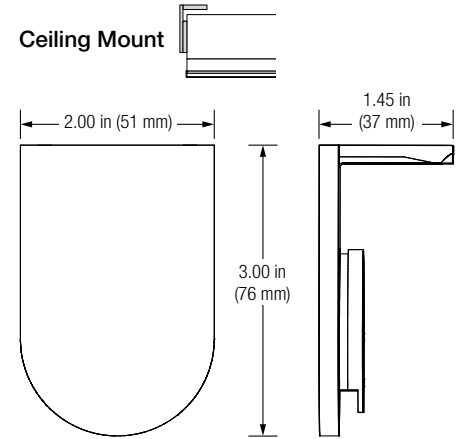
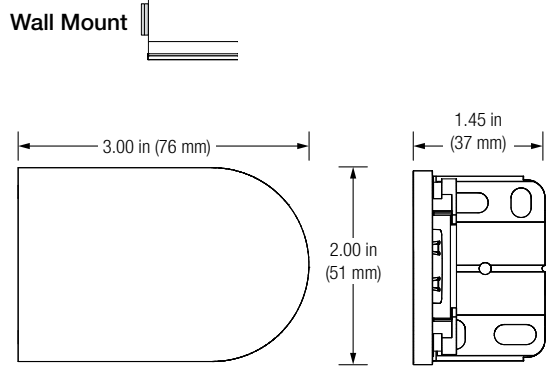
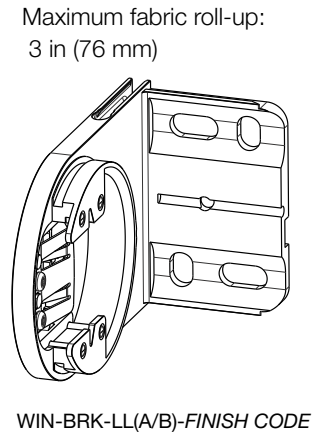
Mounting Options - End Brackets

Palladiom mounting brackets and accessories are made from solid aluminum or brass and are available in 7 standard finishes (see the Bracket, Shim, & Accessory Finish Guide on page 11)

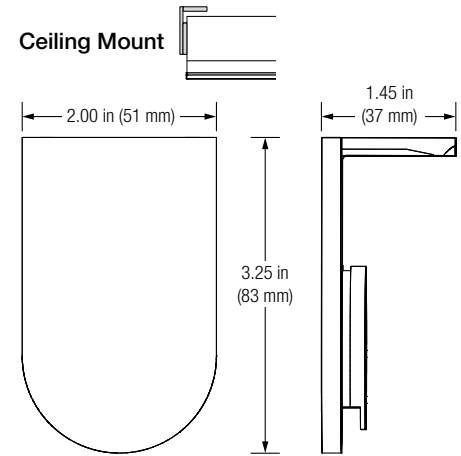
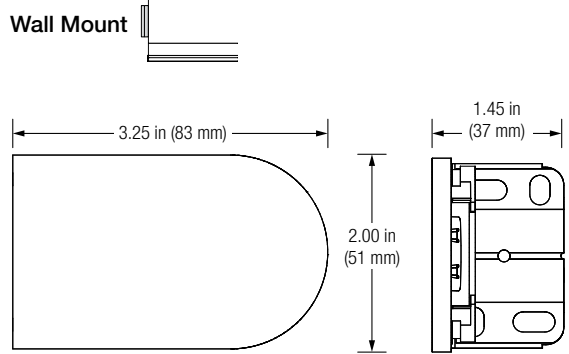
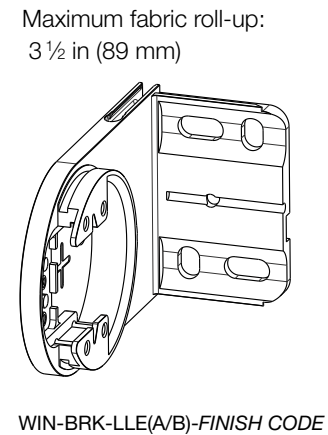
NOTE: Brackets may be ordered in different finish than bottom bar

- Aesthetic enhancements for clean, finished appearance (see the section titled ‘Aesthetic Enhancements’)
- Shims (1 included with each bracket) can be used to level the shade (ceiling mount) or increase projection (wall mount)

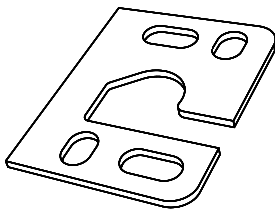
Standard End Bracket (“A” Configuration Shown As Example)



Extended End Bracket (“A” Configuration Shown As Example)



End Bracket Shim For use with all end brackets; sold separately in packs of 10

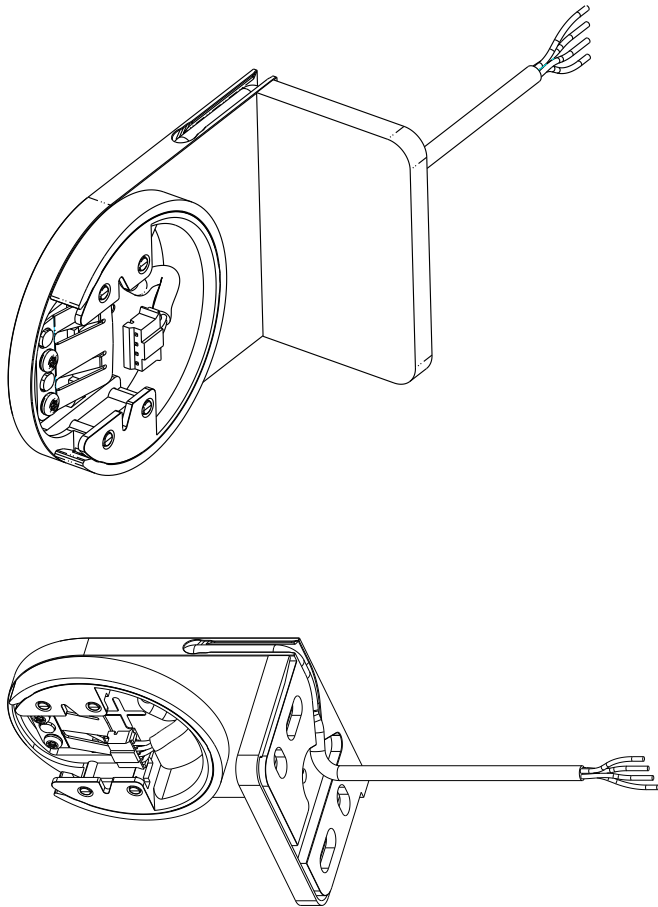


Job Name:	Model Numbers:
Job Number:	

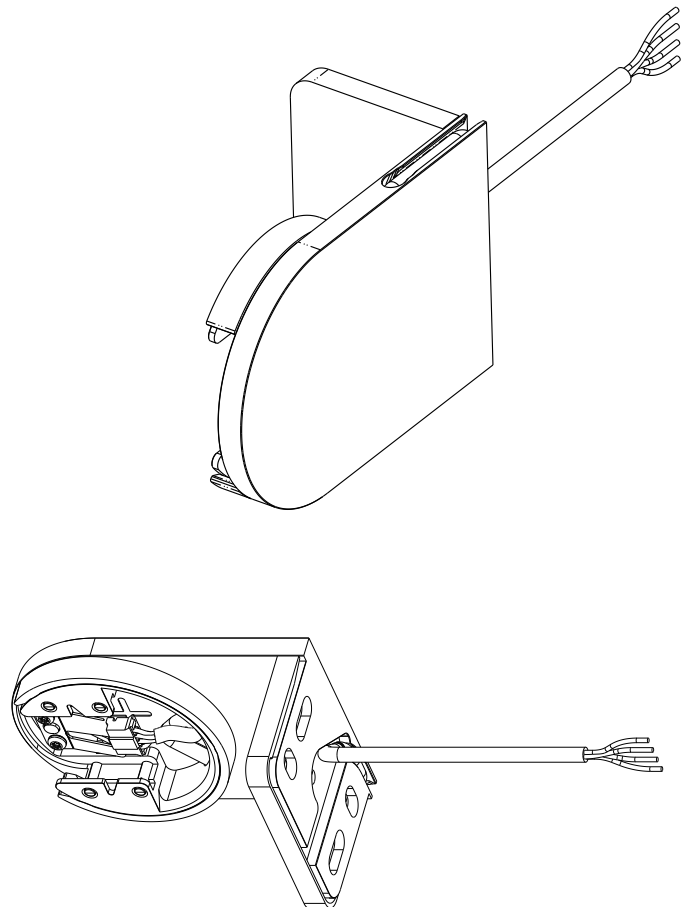
Mounting Options - End Brackets *(continued)*

End brackets come in two configurations. Configuration type A is designed to be mounted on the left side for a wall mount application or on the right side for a ceiling mount application. Configuration type B is designed to be mounted on the right side for a wall mount application or on the left side for a ceiling mount application.

The pre-routed wiring harness should be mounted facing up (in wall mount applications) or back towards the wall or window (in ceiling mount applications). The center bracket is universal.



Type A Configuration



Type B Configuration

Job Name:	Model Numbers:
Job Number:	

Mounting Options - Center Brackets

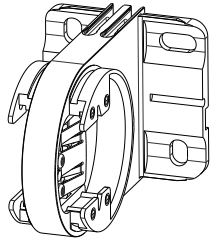
Palladiom mounting brackets and accessories are made from solid aluminum or brass and are available in 7 standard finishes (see the Bracket, Shim, & Accessory Finish Guide on page 11)

NOTE: Brackets may be ordered in different finish than bottom bar

- Aesthetic enhancements for clean, finished appearance (see the section titled ‘Aesthetic Enhancements’)
- Shims (1 included with each bracket) can be used to level the shade (ceiling mount) or increase projection (wall mount)

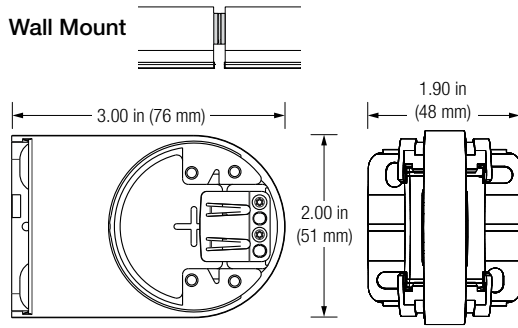
Standard Center Bracket

Maximum fabric roll-up:
3 in (76 mm)

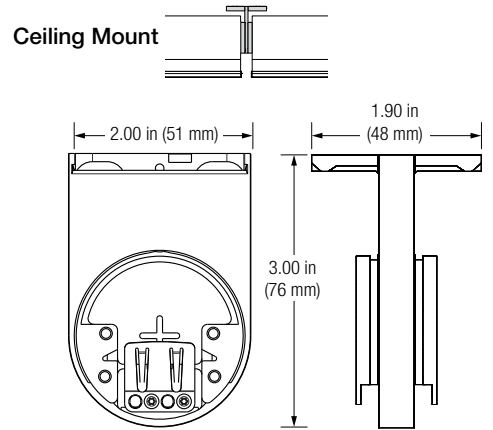


WIN-BRK-LTO-FINISH CODE
(1) bracket supports 2 shades
(shades are not coupled)

Wall Mount

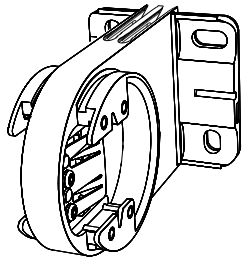


Ceiling Mount



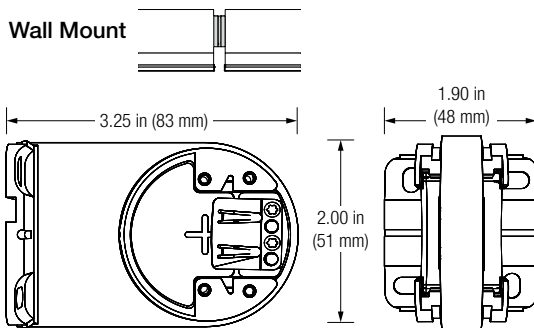
Extended Center Bracket

Maximum fabric roll-up:
3 1/2 in (89 mm)

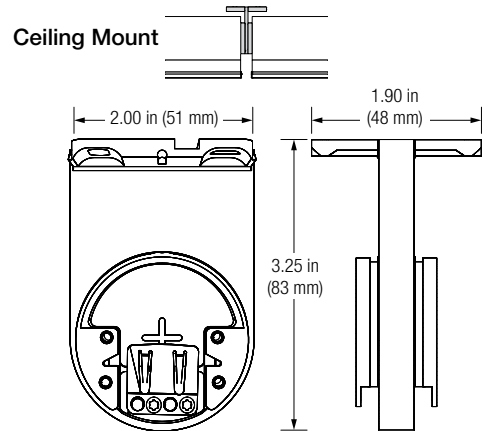


WIN-BRK-LTEO-FINISH CODE
(1) bracket supports 2 shades
(shades are not coupled)

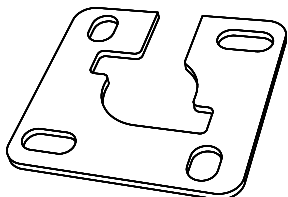
Wall Mount



Ceiling Mount



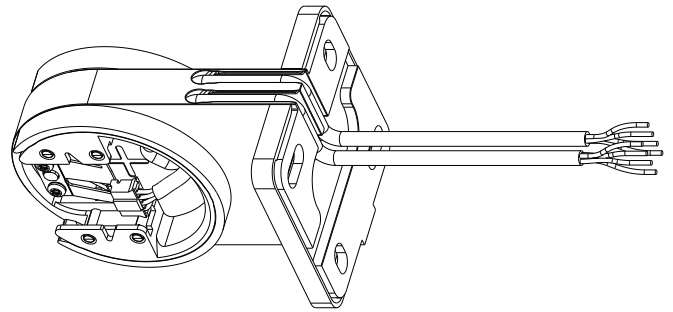
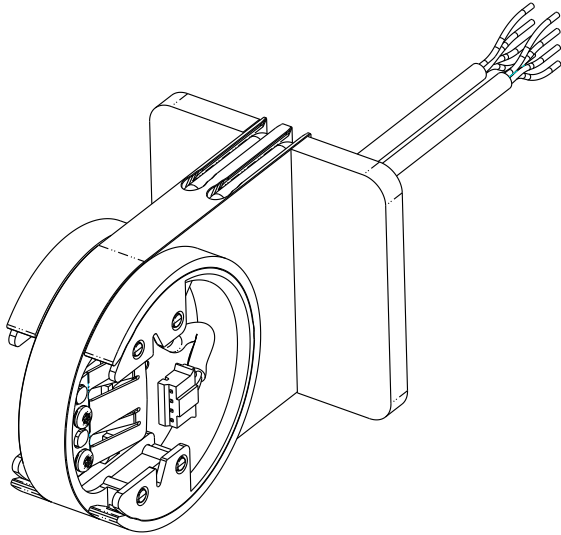
Center Bracket Shim For use with all center brackets; sold separately in packs of 10



Job Name:	Model Numbers:
Job Number:	

Mounting Options - Center Brackets *(continued)*

The center bracket is universal. In wall mount applications, the bracket should be mounted so that the pre-routed wire harnesses are facing up, towards the ceiling. In ceiling mount applications, the bracket should be mounted so that the pre-routed wire harnesses are facing back, towards the nearest wall (e.g., the window-side, for window covering applications).



Job Name:	Model Numbers:
Job Number:	

Mounting Options - Jamb Bracket

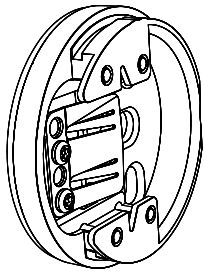
Palladiom mounting brackets and accessories are made from solid aluminum or brass and are available in 7 standard finishes (see the Bracket, Shim, & Accessory Finish Guide on page 11)

NOTE: Brackets may be ordered in different finish than bottom bar

- Aesthetic enhancements for clean, finished appearance (see the section titled 'Aesthetic Enhancements')
- Shims (1 included with each bracket) can be used to adjust the fit of the shade between the window jambs

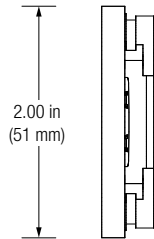
Jamb Bracket

Maximum fabric roll-up:
3 1/2 in (89 mm)

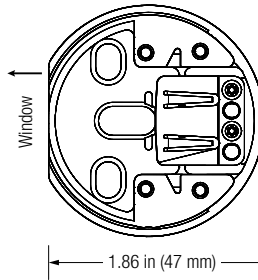


WIN-BRK-LJ-FINISH CODE

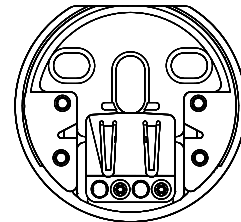
Inside Mount



Preferred orientation:

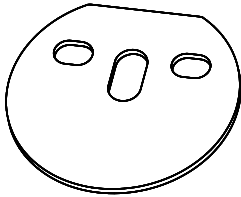


Alternate orientation:



NOTE: Use the flat edge as a reference to orient and mount the jamb bracket square to the window.

Jamb Bracket Shim Sold separately in packs of 10

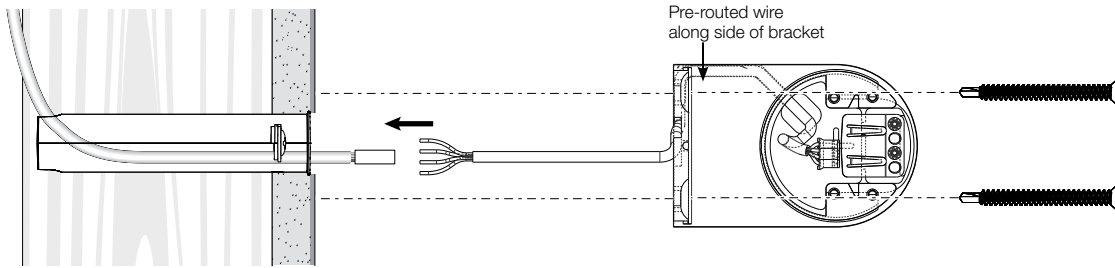


Job Name:	Model Numbers:
Job Number:	

Aesthetic Enhancements

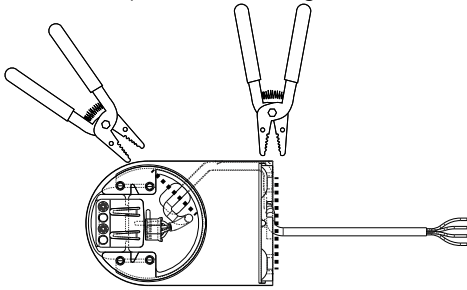
Wire Routing

In-wall wire management accessories integrate with the pre-routed wire harness (details on page 12).



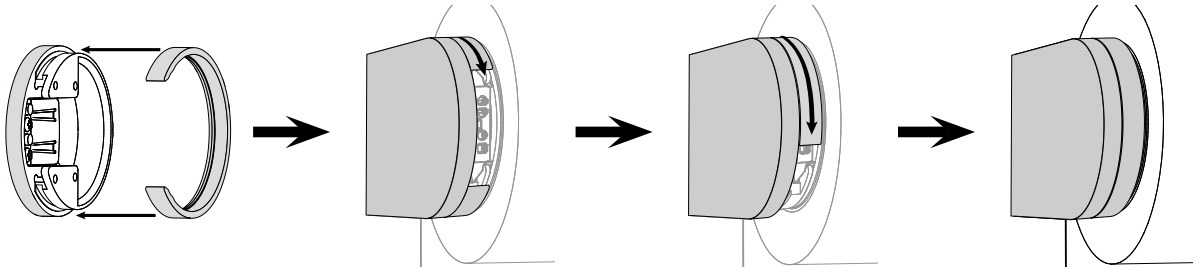
Wire Harnesses

For brackets that do not require wiring (idler-side condition), trim the harness at the two locations shown, leaving the pre-routed section of wire that is pressed into the groove on the side of the bracket in place.



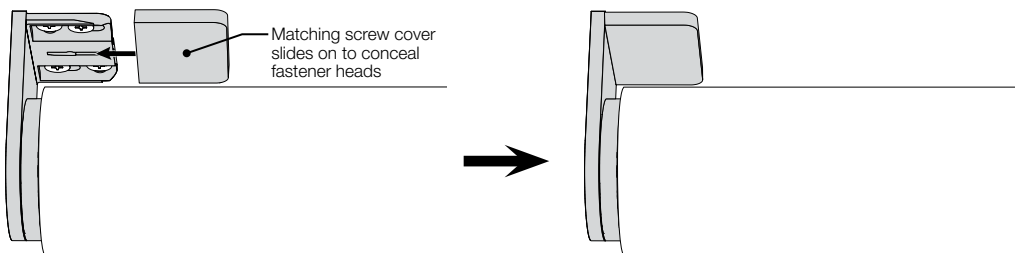
Finishing Rings

Each bracket includes a finishing ring in matching finish (center bracket includes 2), to conceal the bracket-shade interface (see the Bracket, Shim, & Accessory Finish Guide on page 11)



Screw Covers

Each bracket includes a screw cover in matching finish (not applicable to jamb bracket; center bracket includes 2) (see the Bracket, Shim, & Accessory Finish Guide on page 11)



Job Name:	Model Numbers:
Job Number:	

Bracket, Shim, and Accessory Finish Guide

	Pure White PWH	Clear Anodized CLA	Black Anodized BLA	Satin Nickel SN	Brass BRS	Satin Graphite SGT	Aged Bronze AZ*
Bracket Material:	Aluminum	Aluminum	Aluminum	Aluminum	Aluminum	Aluminum	Brass
End Bracket A, Standard 3" roll-up limit	WIN-BRK-LLA-PWH	WIN-BRK-LLA-CLA	WIN-BRK-LLA-BLA	WIN-BRK-LLA-SN	WIN-BRK-LLA-BRS	WIN-BRK-LLA-SGT	WIN-BKT-LLA-AZ
End Bracket A, Extended 3.5" roll-up limit	WIN-BRK-LLEA-PWH	WIN-BRK-LLEA-CLA	WIN-BRK-LLEA-BLA	WIN-BRK-LLEA-SN	WIN-BRK-LLEA-BRS	WIN-BRK-LLEA-SGT	WIN-BKT-LLEA-AZ
End Bracket B, Standard 3" roll-up limit	WIN-BRK-LLB-PWH	WIN-BRK-LLB-CLA	WIN-BRK-LLB-BLA	WIN-BRK-LLB-SN	WIN-BRK-LLB-BRS	WIN-BRK-LLB-SGT	WIN-BKT-LLB-AZ
End Bracket B, Extended 3.5" roll-up limit	WIN-BRK-LLEB-PWH	WIN-BRK-LLEB-CLA	WIN-BRK-LLEB-BLA	WIN-BRK-LLEB-SN	WIN-BRK-LLEB-BRS	WIN-BRK-LLEB-SGT	WIN-BKT-LLEB-AZ
Center Bracket, Standard 3" roll-up limit	WIN-BRK-LTO-PWH	WIN-BRK-LTO-CLA	WIN-BRK-LTO-BLA	WIN-BRK-LTO-SN	WIN-BRK-LTO-BRS	WIN-BRK-LTO-SGT	WIN-BKT-LTO-AZ
Center Bracket, Extended 3.5" roll-up limit	WIN-BRK-LTEO-PWH	WIN-BRK-LTEO-CLA	WIN-BRK-LTEO-BLA	WIN-BRK-LTEO-SN	WIN-BRK-LTEO-BRS	WIN-BRK-LTEO-SGT	WIN-BKT-LTEO-AZ
Jamb Bracket 3.5" roll-up limit	WIN-BRK-LJ-PWH	WIN-BRK-LJ-CLA	WIN-BRK-LJ-BLA	WIN-BRK-LJ-SN	WIN-BRK-LJ-BRS	WIN-BRK-LJ-SGT	WIN-BKT-LJ-AZ
Finishing Ring	WIN-RING-PWH	WIN-RING-CLA	WIN-RING-BLA	WIN-RING-SN	WIN-RING-BRS	WIN-RING-SGT	WIN-RING-AZ
Screw Cover, End	WIN-BC-LWC-PWH	WIN-BC-LWC-CLA	WIN-BC-LWC-BLA	WIN-BC-LWC-SN	WIN-BC-LWC-BRS	WIN-BC-LWC-SGT	WIN-BC-LWC-AZ
Screw Cover, Center	WIN-BC-LT-PWH	WIN-BC-LT-CLA	WIN-BC-LT-BLA	WIN-BC-LT-SN	WIN-BC-LT-BRS	WIN-BC-LT-SGT	WIN-BC-LT-AZ
Decorative Cover, End	WIN-BRK-LV-PWH	WIN-BRK-LV-CLA	WIN-BRK-LV-BLA	WIN-BRK-LV-SN			
Decorative Cover, Center	WIN-BRK-LV2-PWH	WIN-BRK-LV2-CLA	WIN-BRK-LV2-BLA	WIN-BRK-LV2-SN			
Recommended Shim Pack Packs of 10	End: WIN-SHIM-LWC-PWH Center: WIN-SHIM-LT-PWH Jamb: WIN-SHIM-LJ-PWH	End: WIN-SHIM-LWC-CLA Center: WIN-SHIM-LT-CLA Jamb: WIN-SHIM-LJ-CLA	End: WIN-SHIM-LWC-BLA Center: WIN-SHIM-LT-BLA Jamb: WIN-SHIM-LJ-BLA	End: WIN-SHIM-LWC-SN Center: WIN-SHIM-LT-SN Jamb: WIN-SHIM-LJ-SN	End: WIN-SHIM-LWC-BRS Center: WIN-SHIM-LT-BRS Jamb: WIN-SHIM-LJ-BRS	End: WIN-SHIM-LWC-SGT Center: WIN-SHIM-LT-SGT Jamb: WIN-SHIM-LJ-SGT	End: WIN-SHIM-LWC-AZ Center: WIN-SHIM-LT-AZ Jamb: WIN-SHIM-LJ-AZ

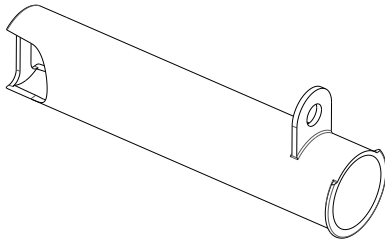
* Available late 2024

Job Name:	Model Numbers:
Job Number:	

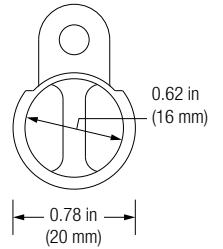
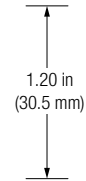
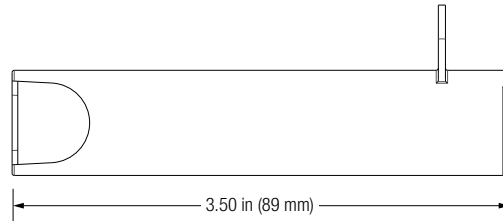
Wire Management

Wire Housing

Wire housing for installation inside wall or trim secures, protects, and allows access to the shade's electrical connection. Can be installed beneath the bracket or concealed using the Spackle Ring and Plug.

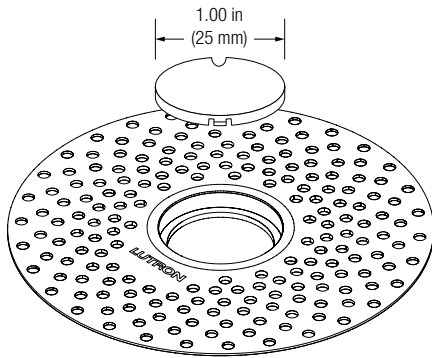


Package of 10:
WIN-WM-BOX-10

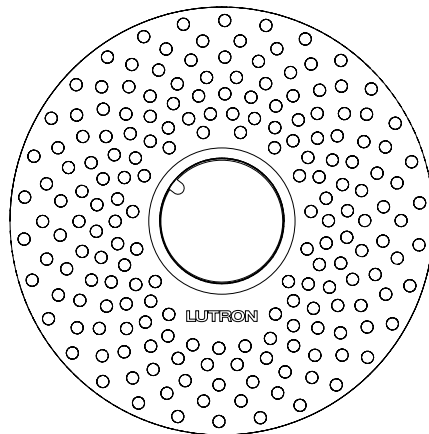


Spackle Ring & Plug

Preserves clean wire entry during wall finishing, and provides bite for spackle in the transition area. Lutron recommends positioning the spackle ring behind the fabric roll, (if conditions allow), to maintain a clean aesthetic.



Package of 10 rings, 10 plugs:
WIN-WM-SR-10



Lutron, the Lutron Logo, Palladiom, Caséta, GRAFIK Eye, HomeWorks, myRoom, Quantum, seeTouch, RadioRA, Athena, Pico and Sivoia are trademarks or registered trademarks of Lutron Electronics Co., Inc. in the U.S. and/or other countries.

<p>Job Name:</p> <p>Job Number:</p>	<p>Model Numbers:</p>
----------------------------------------------------------	------------------------------