

## Maestro In-Wall Occupancy/Vacancy Sensors Installed on GFCI Protected Circuits

### Model Numbers

MS-OPS2	MS-OPS6M2-DV	MS-OPS6-DDV	MS-A202
MS-VPS2	MS-VPS6M2-DV	MS-PPS6-DDV	
MS-OPS5M	MS-Z101	MS-A102	
MS-VPS5M	MS-Z101-V	MS-A102-V	

### Overview

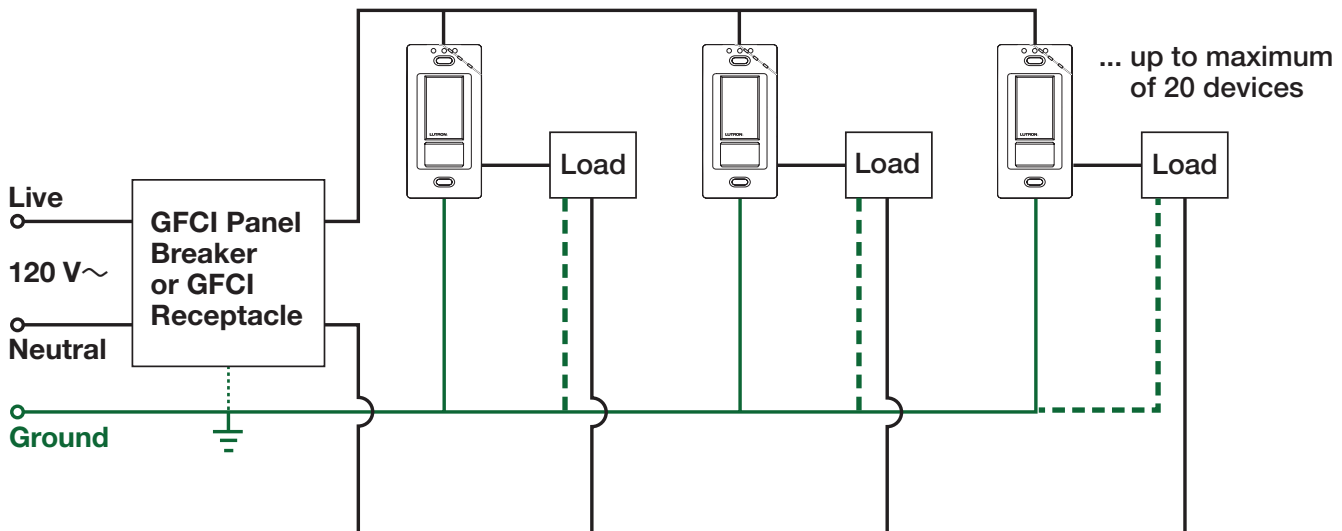
These products require a connection to ground or neutral for proper functionality. With enough devices connected to ground, it is possible to exceed the trip current of a GFCI device (typically 4 mA to 6 mA) if one is included on the branch circuit.

### Notes

- To minimize the potential for false tripping of GFCI protected circuits, installing more than 20 sensors on a single 120 V~ GFCI protected branch circuit is not recommended (note, however, that the 2020 NEC® code limits the number of devices leaking current to ground under the replacement or retrofit exception to 5 per branch circuit & 25 per feeder circuit).
- Electronic equipment and lighting fixtures containing electronic ballasts, transformers, or power supplies can also use the connection to ground for proper functionality. The total number of lighting fixtures and other electronic equipment connected to the same branch circuit may influence the total number of sensors that can be installed.

### Wiring Diagram

-OPS2, -VPS2, -OPS5M, -VPS5M, -OPS6M2-DV, -VPS6M2-DV



Lutron and Maestro are trademarks or registered trademarks of Lutron Electronics Co., Inc. in the US and/or other countries. All other product names, logos, and brands are property of their respective owners.

---

## Lutron Contact Numbers

### WORLD HEADQUARTERS

**USA**  
**Lutron Electronics Co., Inc.**  
**7200 Suter Road**  
**Coopersburg, PA 18036-1299**  
TEL: +1.610.282.3800  
FAX: +1.610.282.1243  
support@lutron.com  
www.lutron.com/support

**North & South America**  
**Customer Assistance**  
**USA, Canada, Caribbean:**  
1.844.LUTRON1 (1.844.588.7661)  
**Mexico:**  
+1.888.235.2910  
**Central/South America:**  
+1.610.282.6701

### UK AND EUROPE:

**Lutron EA Limited**  
**125 Finsbury Pavement**  
**4th floor, London EC2A 1NQ**  
**United Kingdom**  
TEL: +44.(0)20.7702.0657  
FAX: +44.(0)20.7480.6899  
FREEPHONE (UK): 0800.282.107  
Technical Support: +44.(0)20.7680.4481  
lutronlondon@lutron.com

### ASIA:

**Lutron GL Ltd.**  
**390 Havelock Road**  
**#07-04 King's Centre**  
**Singapore 169662**  
TEL: +65.6220.4666  
FAX: +65.6220.4333  
Technical Support: 800.120.4491  
lutronsea@lutron.com

### Asia Technical Hotlines

Northern China: 10.800.712.1536  
Southern China: 10.800.120.1536  
Hong Kong: 800.901.849  
Indonesia: 001.803.011.3994  
Japan: +81.3.5575.8411  
Macau: 0800.401  
Taiwan: 00.801.137.737  
Thailand: 001.800.120.665853  
Other Countries: +65.6220.4666