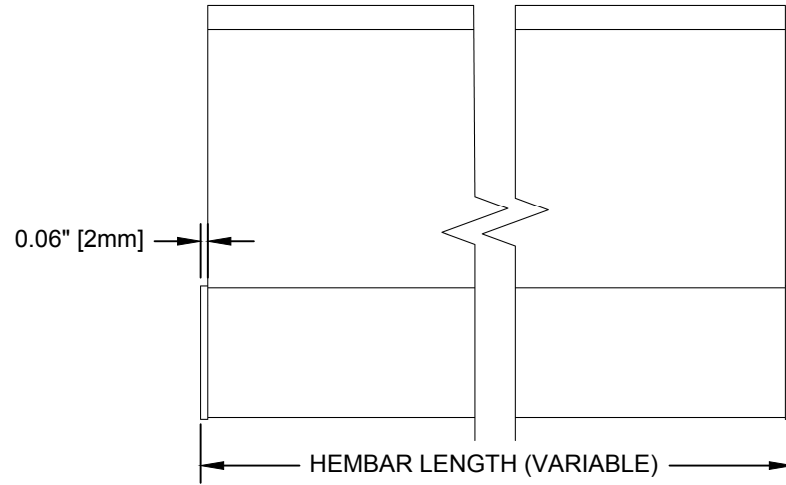
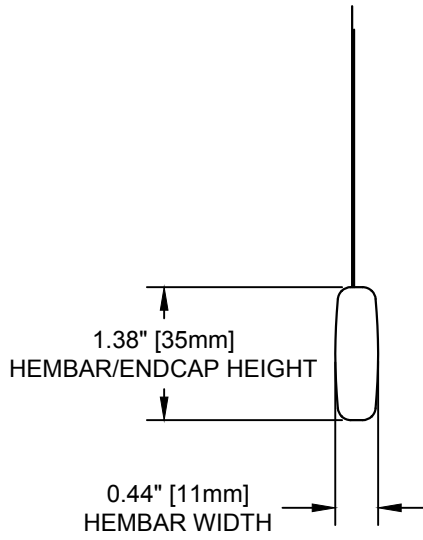


ISOMETRIC VIEW  
SCALE 1:4



HALF-WRAP ARCHITECTURAL BOTTOM BAR (WITH METAL ENDCAPS)		
SCALE: 1/2	DRAWING #:	085591
		REVISION: A