

Lutron High Bay Fixture Solutions



Lutron High Bay Fixture Solutions

Why high bay fixtures?

Lutron high bay fixtures enhance light quality and provide energy-efficient alternatives to traditional HID fixtures. Many traditional HID fixtures can create glare and uneven illumination known as “hot spots.” Lutron high bay fixtures provide a more evenly illuminated surface and reduce overhead glare. Two different types of Lutron high bay fixtures are available:

The **Athlite high bay fixture** is robust enough to withstand the demands of a high-impact sports environment (like basketballs hitting the fixtures) and can be customized to suit a wide variety of spaces.

The new **Warehouse high bay fixture** provides an energy-saving, high-performance alternative to HID fixtures, with an attractive ROI.

Combined with Lutron sensors and controls the high bay fixtures create the right light and the right atmosphere for any environment. They define an ideal solution for new construction or retrofit applications where dimming is required, with the benefit of saving 50 – 80%¹ lighting energy.



Before



After

Benefits of high bay fixtures

The Lutron high bay fixture is a reliable, energy-efficient solution for applications such as school gymnasiums, warehouses, retail settings, large storage locations, and multi-purpose spaces.

Improves Visual Environment

- Optional preset scene controls allow the user to define the right light for any environment and maximize energy savings.
- Wide dimming range: 100% to 10% or 100% to 1% depending on ballast option (EcoSystem® or EcoSystem H-Series ballasts available)
- Excellent light distribution and improved controllability

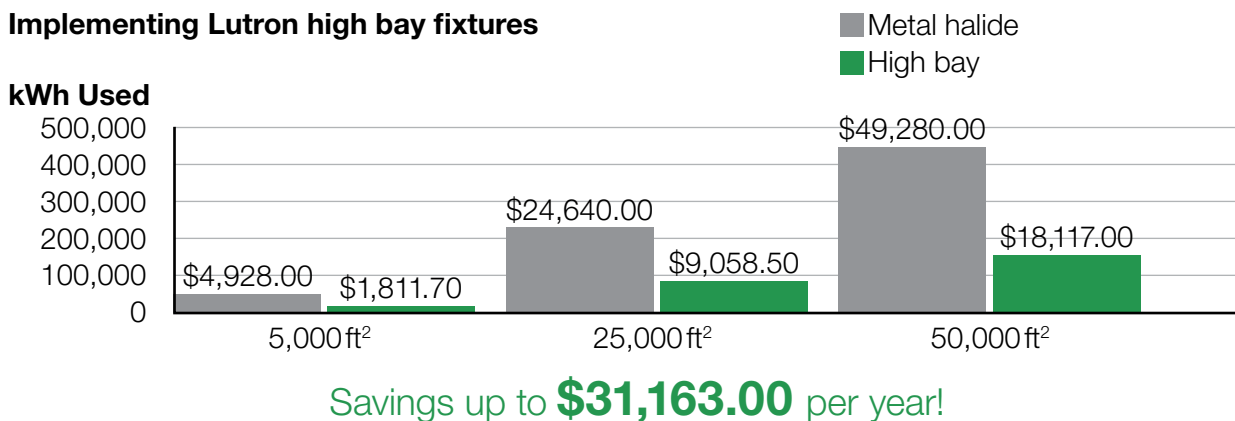
Provides Flexibility

- A variety of control options for system integration, manual control, or automatic control with Lutron occupancy and daylight sensors

Saves Energy

- Lighting electricity savings of 50 – 80%¹ when compared to traditional HID lighting fixtures

Implementing Lutron high bay fixtures



Traditional HID Systems

Lights require warm-up time – are typically left on all day

High wattage fixtures, less efficient

Lights are at “full on” all the time

Loud buzzing

High Bay Lighting and Control Solution

Lights turn on instantly when you need them – no need to warm up

Initial wattage reduced by 45–50%, saving energy

Dimming provides just the right light for any activity and saves energy

Quiet operation makes the space more versatile, expanding usability

¹ Citation: 80% savings assumes replacement of a 1000W Metal Halide High Bay Fixture with a 192W Fluorescent High Bay Fixture, with an expected reduction in light level. A typical replacement with minimal or no light reduction achieves savings closer to 50%.

² The metal halide solution includes 28 metal halide fixtures (400W each) for every 5,000ft² of lighted area, with an annual operation of 4,000 hours. The Lutron high bay solution includes 28 fluorescent fixtures (196W each) for every 5,000 ft² of lighted area, with an annual operation of 2,500 hours at full output and 1,000 hours at 50% output, with 500 hours of reduced usage due to occupancy sensing. Operating cost based on \$0.11 per kWh.

Lutron High Bay Fixture Solutions

Athlite™ high bay fixtures

The Athlite offering includes wide beam high bay fixtures, narrow beam high bay fixtures, and recessed high bay fixtures, each designed with wireguard and optional polycarbonate lenses for use in gymnasiums, cafeterias, multi-use spaces, industrial buildings, and convention centers.



The impact-resistant fixture is specifically designed to meet the needs of typical gymnasium activities such as soccer, basketball, and other high-impact sports.

- 2 x 4-foot T8 and T5HO fluorescent high bay fixtures
 - 4-lamp T8 and T5HO models for pendant/chain or surface mounting
 - 6-lamp T8 models for pendant/chain (suspended) or surface (recessed) mounting
 - 6-lamp T5HO models for pendant/chain mounting only
- Wide beam and narrow beam high bay fixtures
 - Use with Lutron EcoSystem® sensors and control for optimal energy savings
 - Ideal for new or retrofit applications where dimming is required and energy savings is a goal
- Universal input voltage 120/277V~
- EcoSystem® (100% to 10% dimming) and EcoSystem H-Series (100% to 1% dimming) ballasts options available



EcoSystem ballast



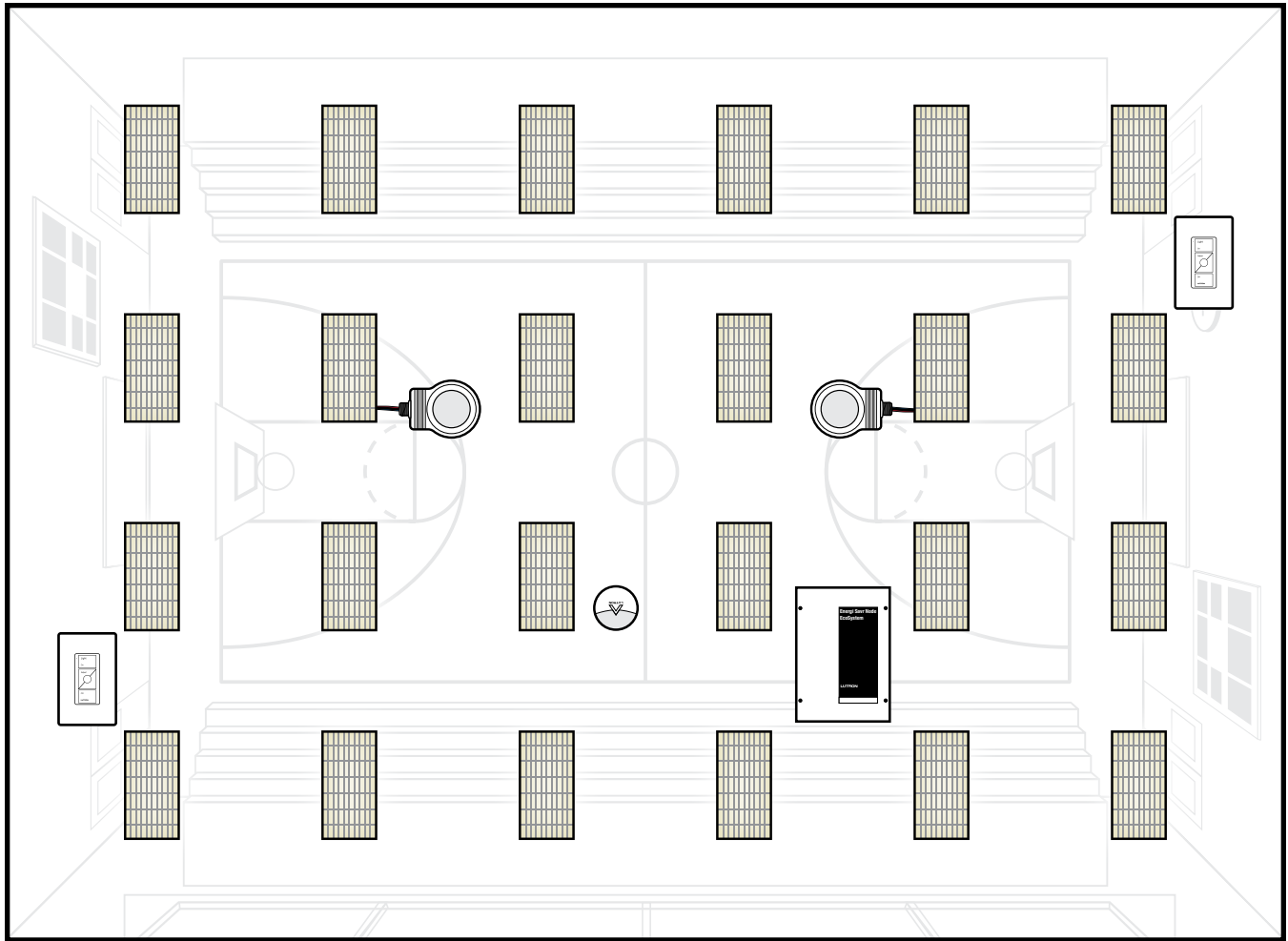
EcoSystem H-Series ballast

Control options

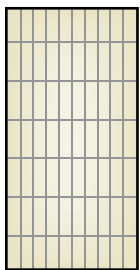
- Energi TriPak™
- GRAFIK Eye QS wireless with EcoSystem
- Energi Savr Node™ with EcoSystem
- Quantum® Total Light Management

Please see pages 8–9 for suggested system solutions.

Application example—gymnasium



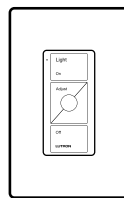
Key



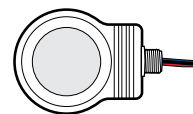
Athlite high bay fixture with EcoSystem ballast wired daylight sensor



Energi Savr Node with EcoSystem



Pico® wired control



High bay wired occupancy sensor



EcoSystem daylight sensor

Lutron High Bay Fixture Solutions

Warehouse high bay fixtures

The Lutron warehouse high bay fixture provides an ideal solution for warehouses, manufacturing and retail facilities, and supermarkets.



The Lutron solution improves light quality to enhance employee comfort and productivity, while saving energy and enhancing operating costs.

- One-to-one replacement for (or alternative to) 250 Watt or 400 Watt HID fixture
- Wide beam and narrow beam high bay fixtures —
 - Use with Lutron EcoSystem® sensors and control for optimal energy savings
 - Ideal for new or retrofit applications where dimming is required and energy savings is a goal
- Universal input voltage 120/277V~
- EcoSystem (100% to 10% dimming) and EcoSystem H-Series (100% to 1% dimming) ballasts available



EcoSystem ballast



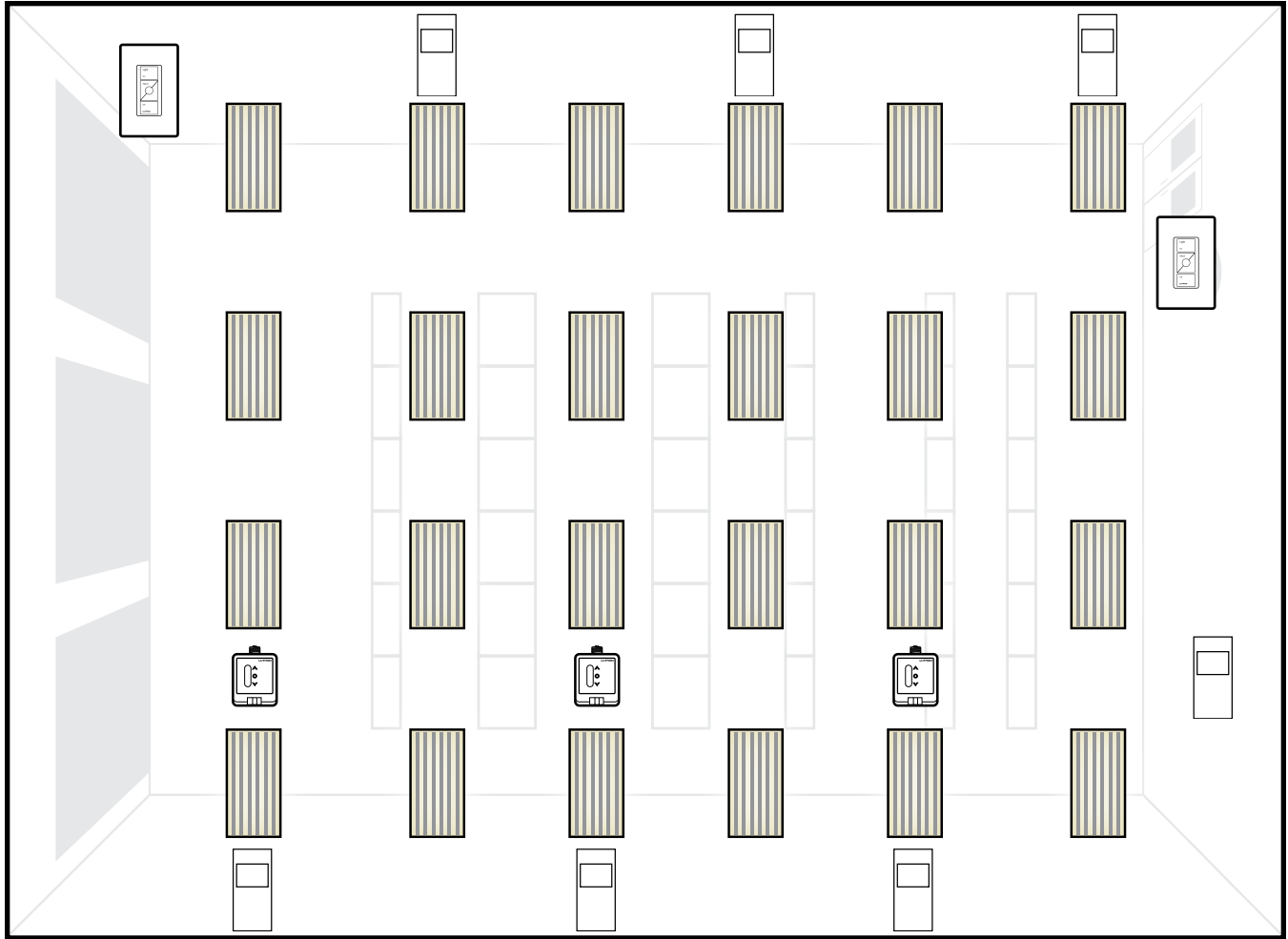
EcoSystem H-Series ballast

Control options

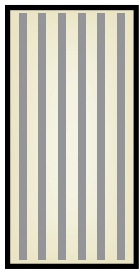
- Energi TriPak™
- Energi Savr Node™ with EcoSystem
- Quantum® Total Light Management

Please see pages 8 for suggested system solutions.

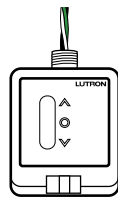
Application example — warehouse



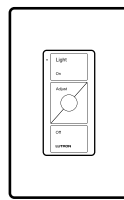
Key



Warehouse fixture



PowPak™



Pico® wireless control



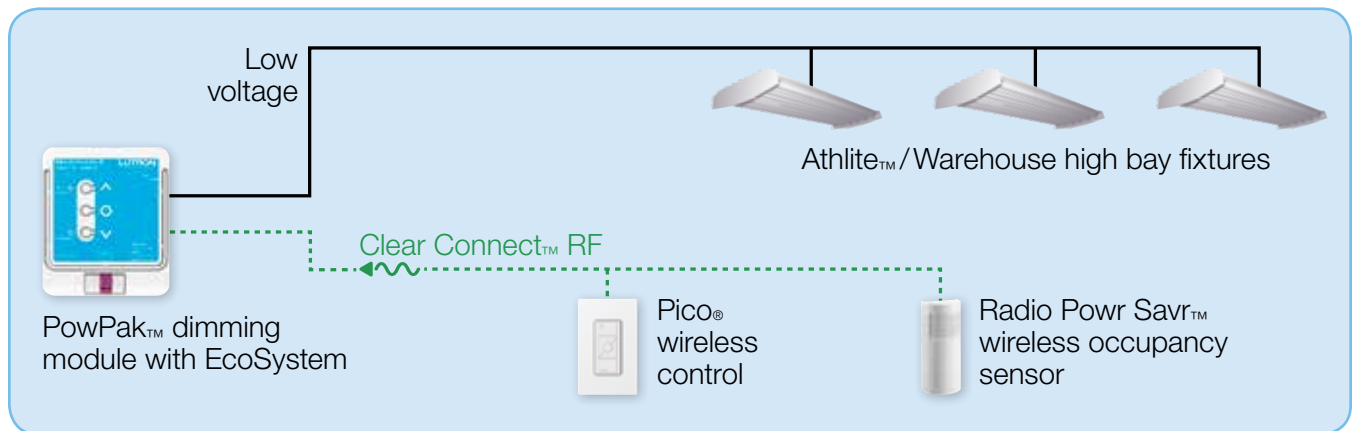
Radio Power Savr wireless occupancy sensor (wall-mount)

Lutron High Bay Fixture Solutions

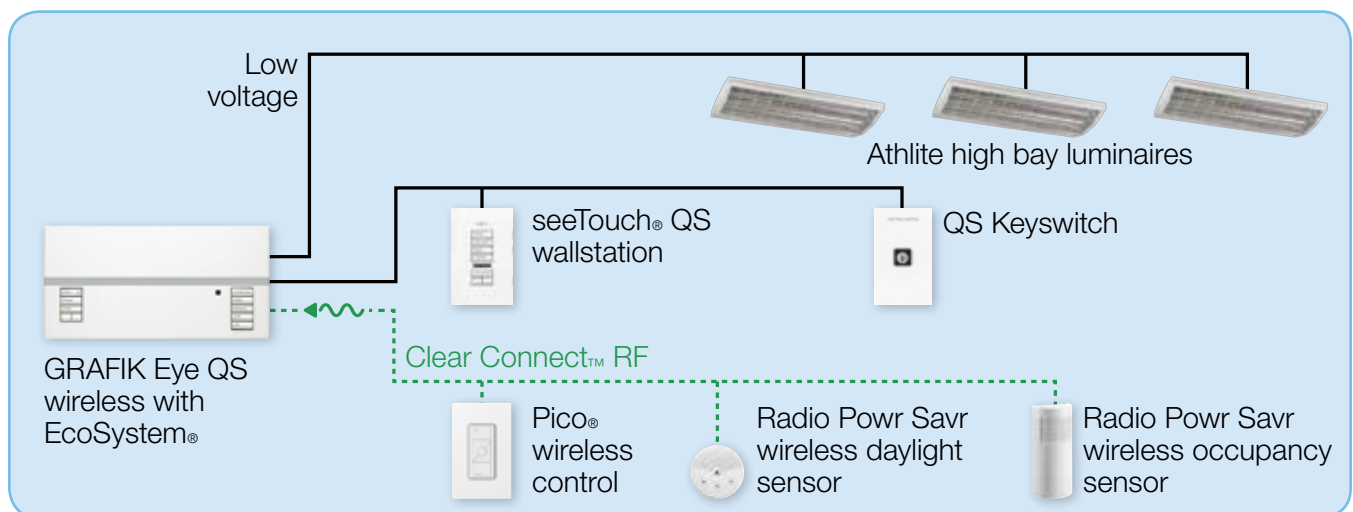
Suggested system solutions

High bay fixtures can be used as part of a complete light and shade system in small and large areas, and even entire buildings. Choose the fixture and control solution that best meets the needs of your space; integrate wired or wireless occupancy/vacancy and daylight sensors to maximize energy savings, and select additional control options.

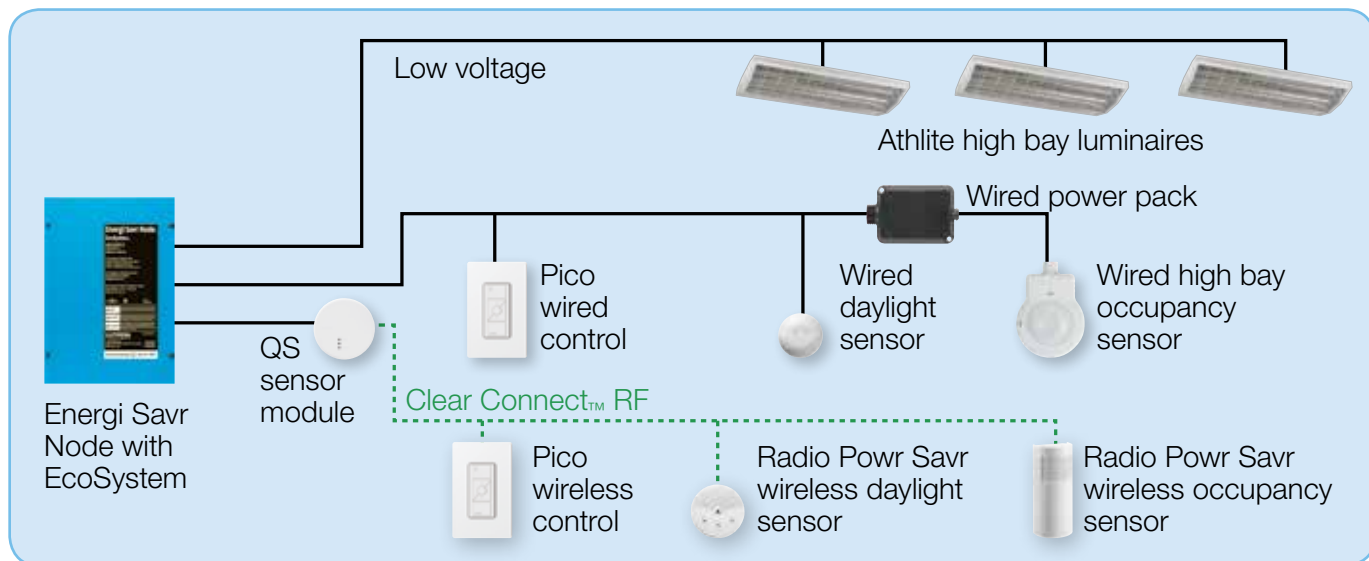
Warehouse/retail areas (Energi TriPak™ solution)



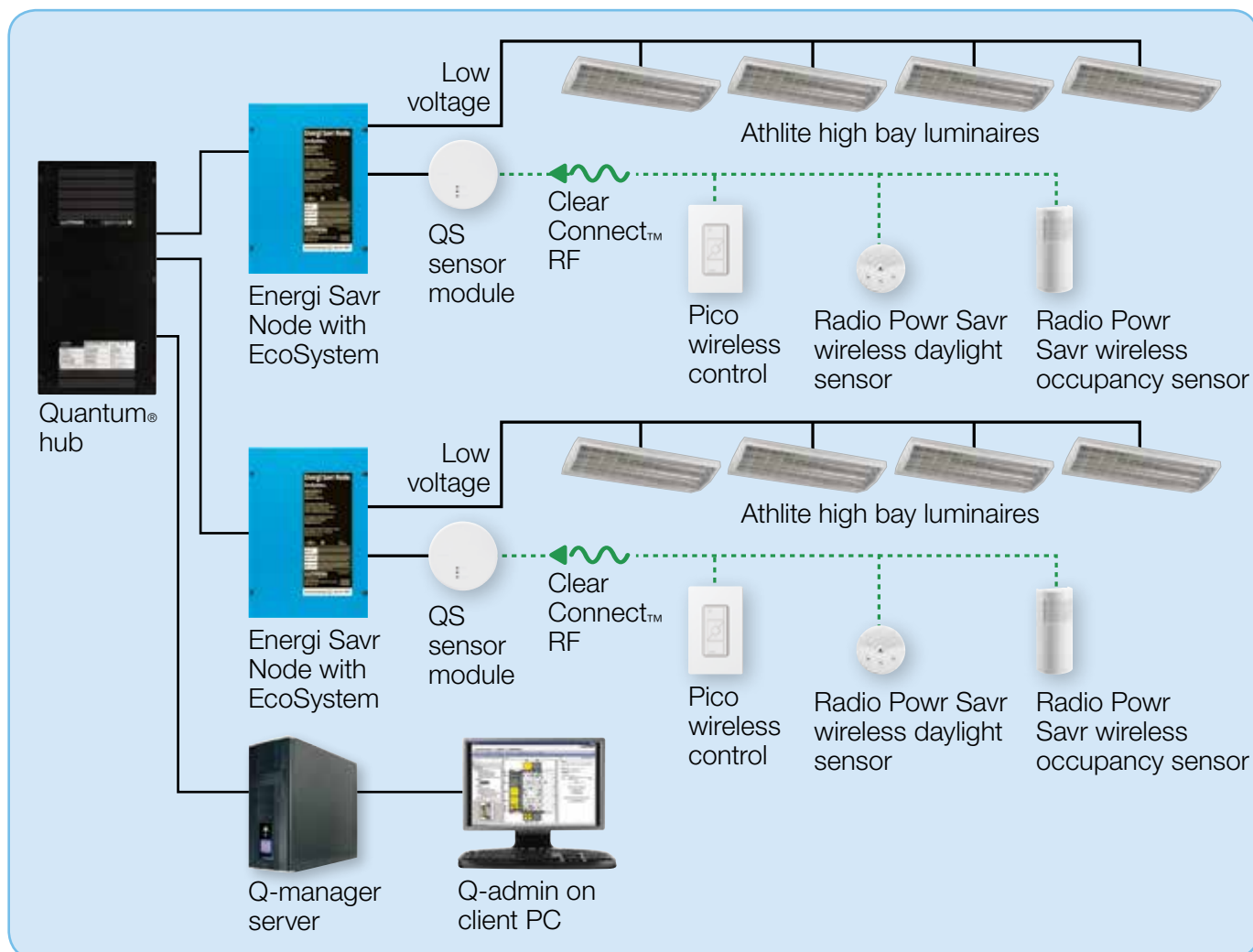
Large area/gymnasium (GRAFIK Eye® QS solution)



Multiple areas/entire building (Energi Savr Node™ solution)



Multiple areas/entire building (Quantum Athlite solution)



Lutron High Bay Fixture Solutions

Ordering guide—creating a Lutron high bay fixture model number

Athlite™

Size: 2' x 4'

Typical Applications: gymnasiums, multi-use spaces, cafeterias, industrial buildings, convention centers

Warehouse

Size: 2' x 4'

Typical Applications: retail stores, manufacturing areas, warehouses, supermarkets, storage locations

Example Model Number

FX - HB - AS - 24 - WB - 4 - 32 - U - HS - XX - XX - WH

1 2 3 4 5 6 7 8 9 10 11 12

1	2	3	4	5	6	7	
Product	Family	Fixture type	Size	Lens options	Lamps	Lamp type	
Athlite							
FX = Fixtures	HB = High Bay Fixtures	AS = Athlite, Suspended	24 = 2' x 4'	WB = Wide Beam/Lens	4 = 4 Lamps	32 = 32 W T8	
		AR = Athlite, Recessed		NB = Narrow Beam/Lens		54 = 54 W T5HO	
				WP = Wide Beam/Lens w/ PolyCarb	6 = 6 Lamps	32 = 32 W T8	
				NP = Narrow Beam/Lens w/ PolyCarb		54 = 54 W T5HO*	
Warehouse							
FX = Fixtures	HB = High Bay Fixtures	WA = Warehouse Application	24 = 2' x 4'	SL = Standard Lens	4 = 4 Lamps	32 = 32 W T8	
				WG = Wire Guard		54 = 54 W T5HO	
						6 = 6 Lamps	32 = 32 W T8
							54 = 54 W T5HO

For quotes and pricing, please contact customer service.

8 Region	9 Controls	10 Mounting type	11 Options	12 Finish/Color
U = UL – North America	HS = EcoSystem® H-Series® 1% dimming	XX = Standard	XX = None	WH = Matte/White
	EC = EcoSystem 10% dimming	CT = Conduit Mount Bracket	FC = 6' Flex Conduit	
		CH = Aircraft Cable Mount	PW = Prewired Sensor Whip	
			E4 = T8 Emergency Ballast†	
			E6 = T5HO Emergency Ballast†	
U = UL – North America	HS = EcoSystem H-Series® 1% dimming	XX = Standard	XX = None	WH = Matte/White
	EC = EcoSystem 10% dimming	SH = Hanger Set	PW = Prewired Sensor Whip	
		CS = Chain and Hanger Set, 6'	E4 = T8 Emergency Ballast†	
		CH = Aircraft Cable Mount	E6 = T5HO Emergency Ballast†	

† emergency ballast "option" is determined by "lamp type"

www.lutron.com/fixtures



Lutron Electronics Co., Inc.
7200 Suter Road
Coopersburg, PA 18036-1299

World Headquarters 1.610.282.3800
Technical Support 1.800.523.9466 (Available 24/7)
Customer Service 610.282.7472

© 07/2013 Lutron Electronics Co., Inc. | P/N 367-2348 REV C

