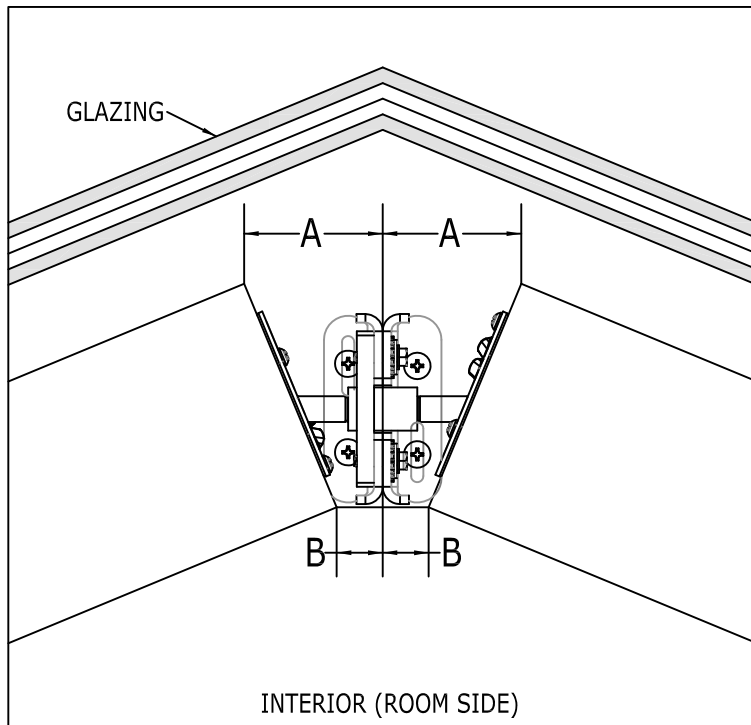


LIGHT GAP REFERENCE GUIDE FOR 2.5" TUBE

0281-GNRL-ANG-V

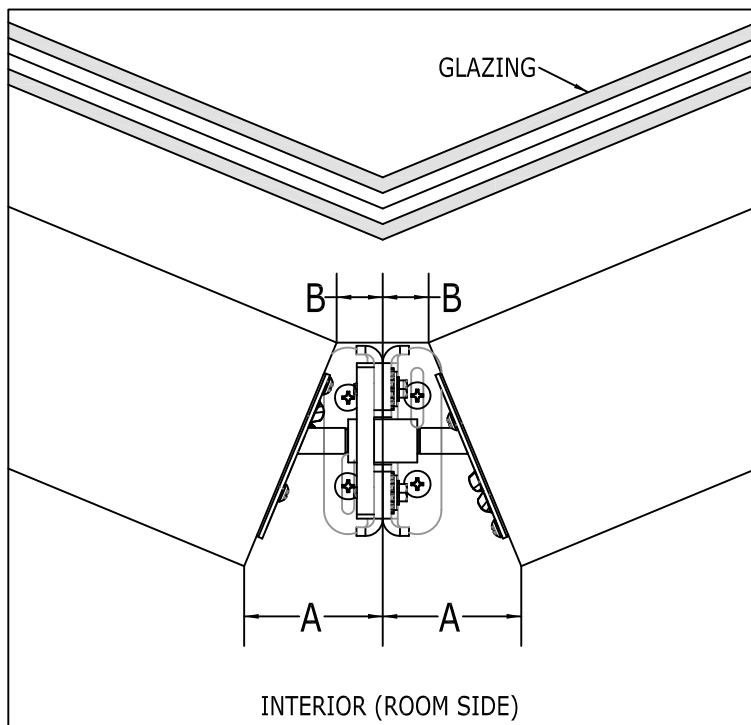
FOR USE WITH ROLLER100, ROLLER150 AND ROLLER200CW

TO ENSURE SMOOTH MOTION OF THE SHADE PANELS, EACH COUPLER MUST BE INSTALLED SO THAT THE ROLLER TUBES ON EITHER SIDE FORM EQUAL ANGLES TO THE COUPLER BRACKET.



CONCAVE ANGLE

FOR CONCAVE ANGLE, REGULAR ROLL LIGHT GAP IS DIMENSION "A" AND REVERSE ROLL LIGHT GAP IS DIMENSION "B"



CONVEX ANGLE

FOR CONVEX ANGLE, REGULAR ROLL LIGHT GAP IS DIMENSION "B" AND REVERSE ROLL LIGHT GAP IS DIMENSION "A"

0-15 Degree Angled Coupler
*Use when possible to minimize light gaps

Total Angle	Light Gap (A)	Light Gap (B)
0	7/8" (22mm)	7/8" (22mm)
2	7/8" (22mm)	13/16" (21mm)
4	7/8" (22mm)	13/16" (21mm)
6	15/16" (24mm)	13/16" (21mm)
8	15/16" (24mm)	3/4" (19mm)
10	1.00" (25mm)	3/4" (19mm)
12	1.00" (25mm)	3/4" (19mm)
14	1.00" (25mm)	11/16" (17mm)
15	1.00" (25mm)	11/16" (17mm)

0-45 Degree Angled Coupler

Total Angle	Light Gap (A)	Light Gap (B)
0	1 5/16" (33mm)	1 5/16" (33mm)
2	1 5/16" (33mm)	1 1/4" (32mm)
4	1 5/16" (33mm)	1 1/4" (32mm)
6	1 3/8" (35mm)	1 1/4" (32mm)
8	1 3/8" (35mm)	1 3/16" (30mm)
10	1 7/16" (37mm)	1 3/16" (30mm)
12	1 7/16" (37mm)	1 3/16" (30mm)
14	1 7/16" (37mm)	1 1/8" (29mm)
16	1 1/2" (38mm)	1 1/8" (29mm)
18	1 1/2" (38mm)	1 1/8" (29mm)
20	1 1/2" (38mm)	1 1/16" (27mm)
22	1 9/16" (40mm)	1 1/16" (27mm)
24	1 9/16" (40mm)	1 1/16" (27mm)
26	1 5/8" (41mm)	1.00" (25mm)
28	1 5/8" (41mm)	1.00" (25mm)
30	1 11/16" (43mm)	1.00" (25mm)
32	1 11/16" (43mm)	1.00" (25mm)
34	1 11/16" (43mm)	15/16" (24mm)
36	1 3/4" (44mm)	15/16" (24mm)
38	1 3/4" (44mm)	15/16" (24mm)
40	1 3/4" (44mm)	7/8" (22mm)
42	1 13/16" (46mm)	7/8" (22mm)
44	1 13/16" (46mm)	7/8" (22mm)
45	1 13/16" (46mm)	13/16" (21mm)

ANGLED COUPLER - LIGHT GAP REFERENCE GUIDE (2.5" TUBE)
DRAWING #

Lutron Electronics Co., Inc.
7200 Suler Road | Coopersburg, PA 18036 | USA
1(800) 446-1503 | fax: (610) 282-7439
shadinginfo@lutron.com

LUTRON
Copyright © 2009 Lutron Electronics Co., Inc.

REV: A