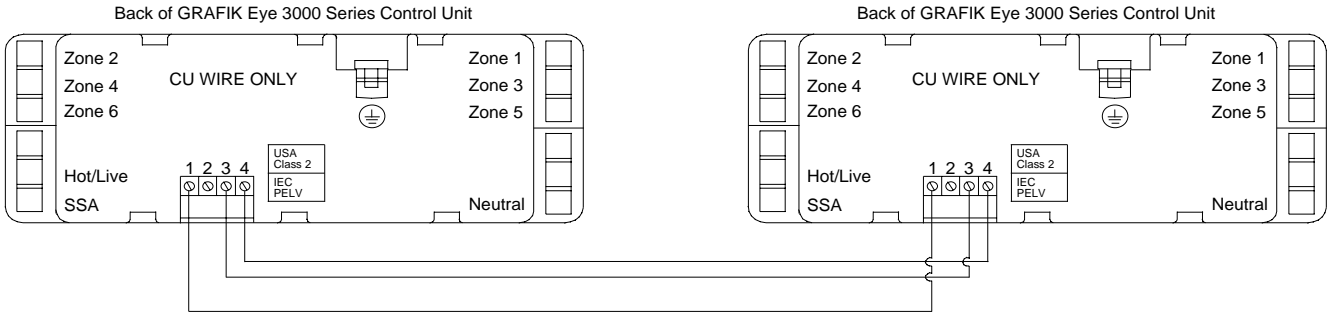


Overview

The following wiring diagrams detail proper low voltage wiring between multiple GRAFIK Eye Control Units and Accessory Controls. It is important that the GRAFIK Eye System is wired properly.

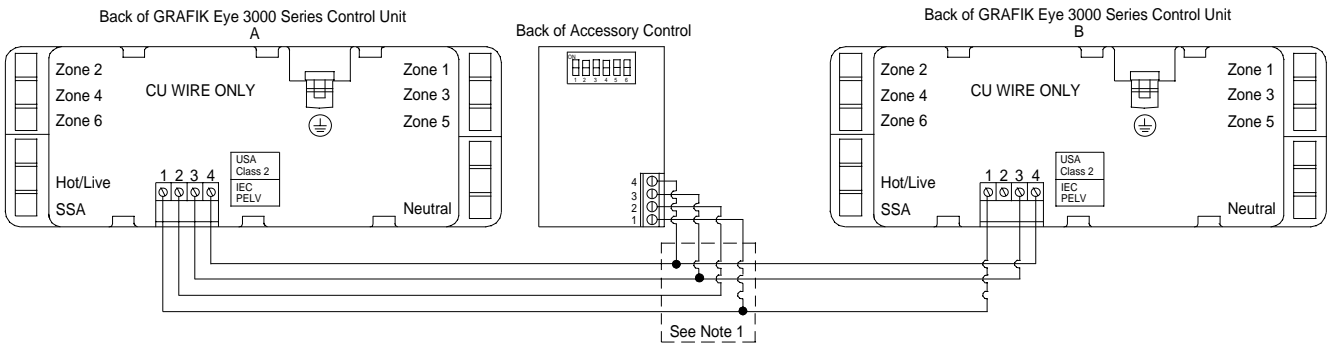
Wiring Diagrams

Figure 1: Wiring between two Control Units. This is also covered in the Control Unit Instruction Sheet.



NOTE: Connection between #2 terminals is not made between Control Units.

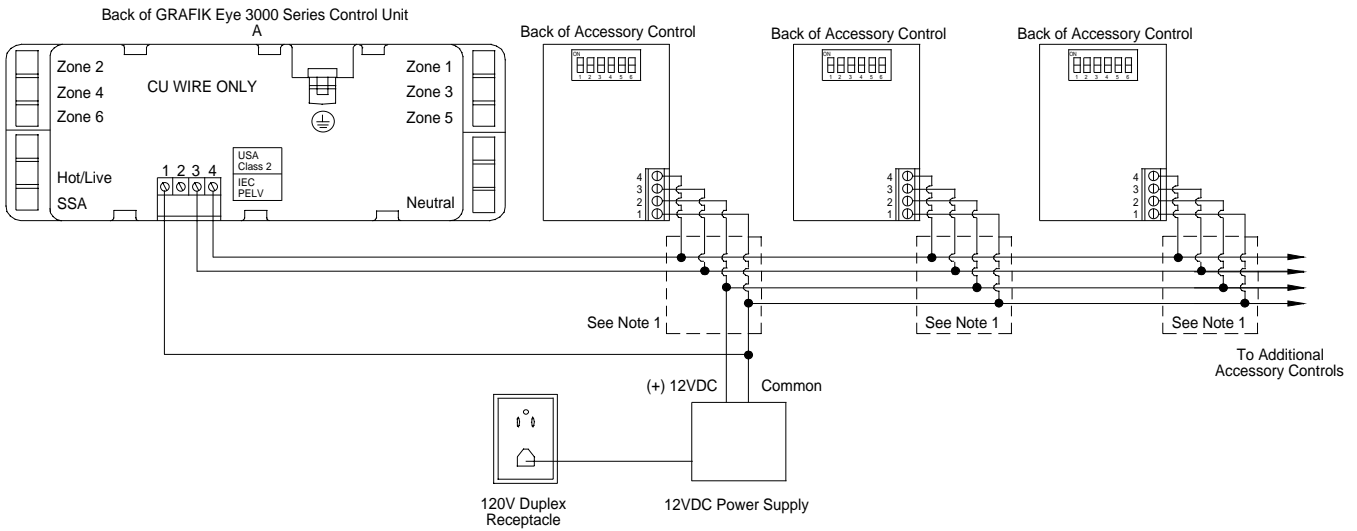
Figure 2: Wiring of two Control Units with an Accessory Control between them.



NOTE 1: Connections to link are made inside of wallstation wallboxes or in a junction box (provided by others) located no more than 8 feet from the wallstation.

NOTE 2: Connection between #2 terminals is not made between Control Unit 'A' and Accessory Control. Control Unit 'A' provides power for Accessory Control.

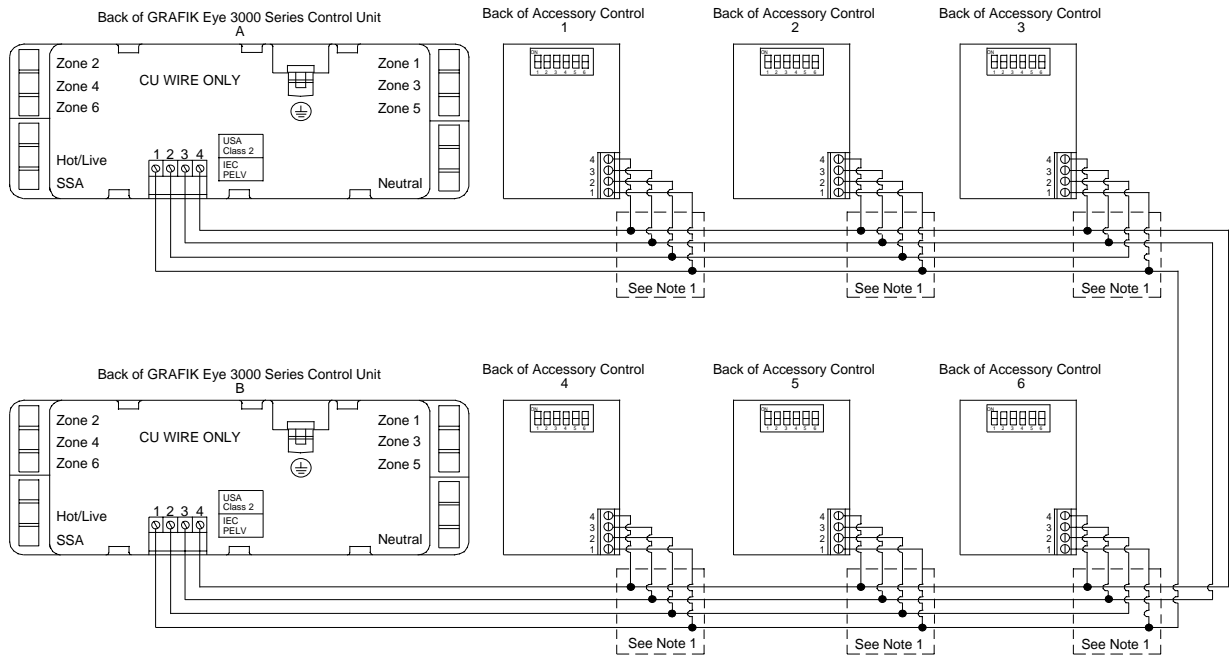
Figure 3: Wiring if an external power supply is used. The external power supply provides power to all of the Accessory Controls.



NOTE 1: Connections to link are made inside of wallstation wallboxes or in a junction box (provided by others) located no more than 8 feet from the wallstation.

NOTE 2: Connection between #2 terminals is not made between Control Unit 'A' and first Accessory Control. External power supply provides power for all Accessory Controls.

Figure 4: Wiring of two Control Units with six Accessory Controls (the maximum quantity without an external power supply) between them. A similar diagram is also provided with all Accessory Control Instruction Sheets.



NOTE 1: Connections to link are made inside of wallstation wallboxes or in a junction box (provided by others) located no more than 8 feet from the wallstation.

NOTE 2: Connection between #2 terminals is not made between Accessory Controls when powered from separate Control Units. Control Unit 'A' provide power for Accessory Controls 1, 2, and 3. Control Unit 'B' provides power for Accessory Controls 4, 5, and 6.

Additional Information

World Headquarters

Lutron Electronics Co., Inc.

7200 Suter Road

Coopersburg, PA 18036-1299 U.S.A.

TOLL FREE: (800) 523-9466 (U.S.A., Canada, and the Caribbean)

Tel: (610) 282-3800; International 1610 282-3800

Fax: (610) 282-3090; International 1610 282-3090

European Headquarters

Lutron EA LTD

Lutron House

6 Sovereign Close

Wapping

London, E1 9HW England

FREEPHONE: 0800 282107 (U.K.)

Tel: (0171) 702-0657; International 44-171-702-0657

Fax: (0171) 480-6899; International 44-171-480-6899

Hong Kong Office

Tel: 2593-1119; International 852-2593-1119

Fax: 2593-1197; International 852-2593-1197

Singapore Office

Tel: 487-2820; International 65-487-2820

Fax: 487-2825; International 65-487-2825

Japan Office

Lutron Asuka Corporation K.K.

Kowa Shibakoen Bldg. 2nd Floor

1-1-11 Shibakoen

Minato-ku, Tokyo 105-0011, Japan

TOLL FREE: (0120) 083417 (Japan)

Tel: International 81 3 5405 7333

Fax: International 81 3 5405 7496

Worldwide Technical and Sales Assistance

If you need technical assistance, call the toll-free

Lutron Technical Assistance Hotline. Please provide exact model number when calling.

(800) 523-9466 (U.S.A., Canada and the Caribbean)

Other countries call:

Tel: (610) 282-3800; International: 1 610 282-3800

Fax: (610) 282-3090; International: 1 610 282-1243

Our address on the Web is www.lutron.com

Lutron and GRAFIKEye are registered trademarks of Lutron Electronics Co., Inc.