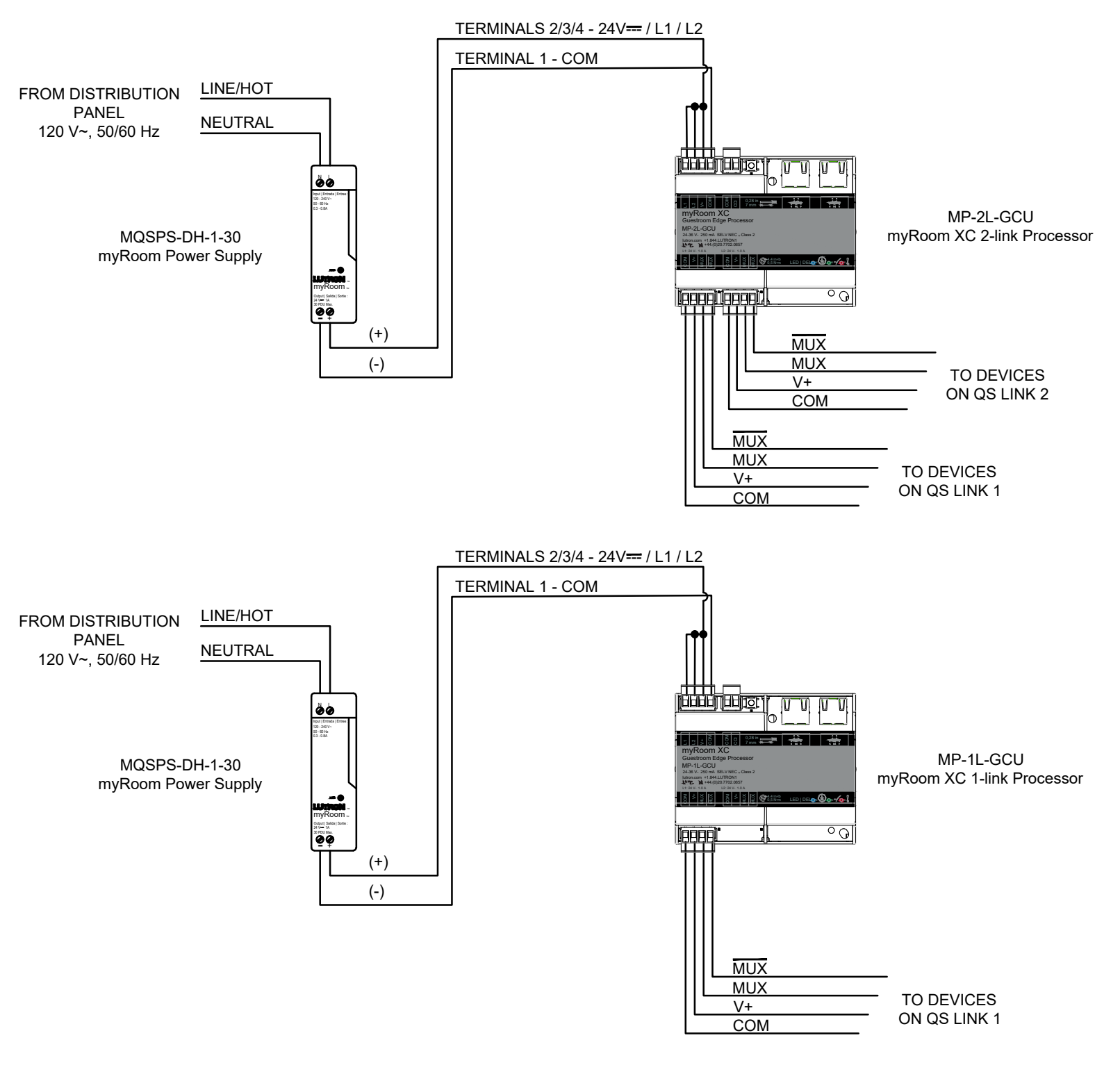
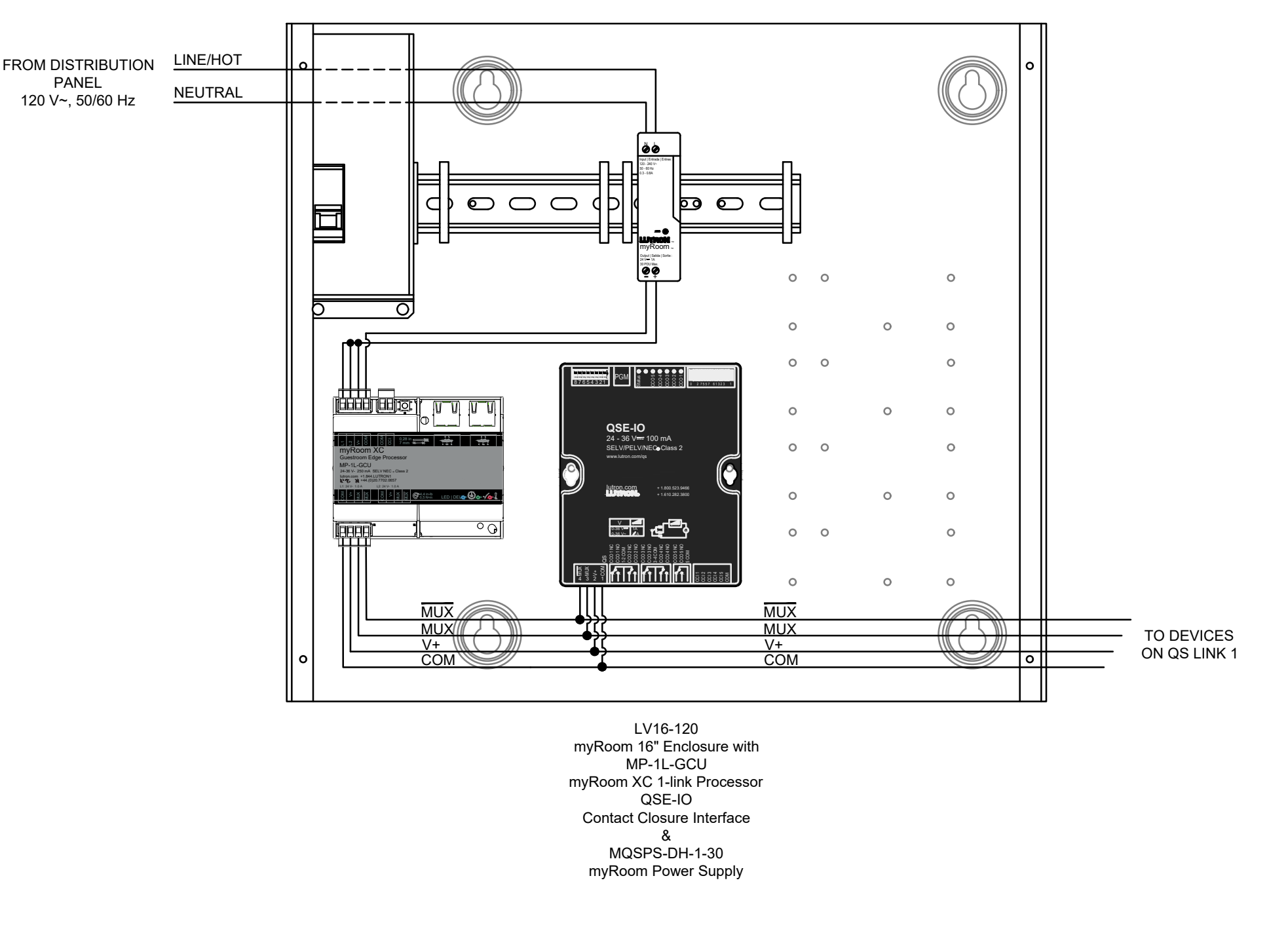


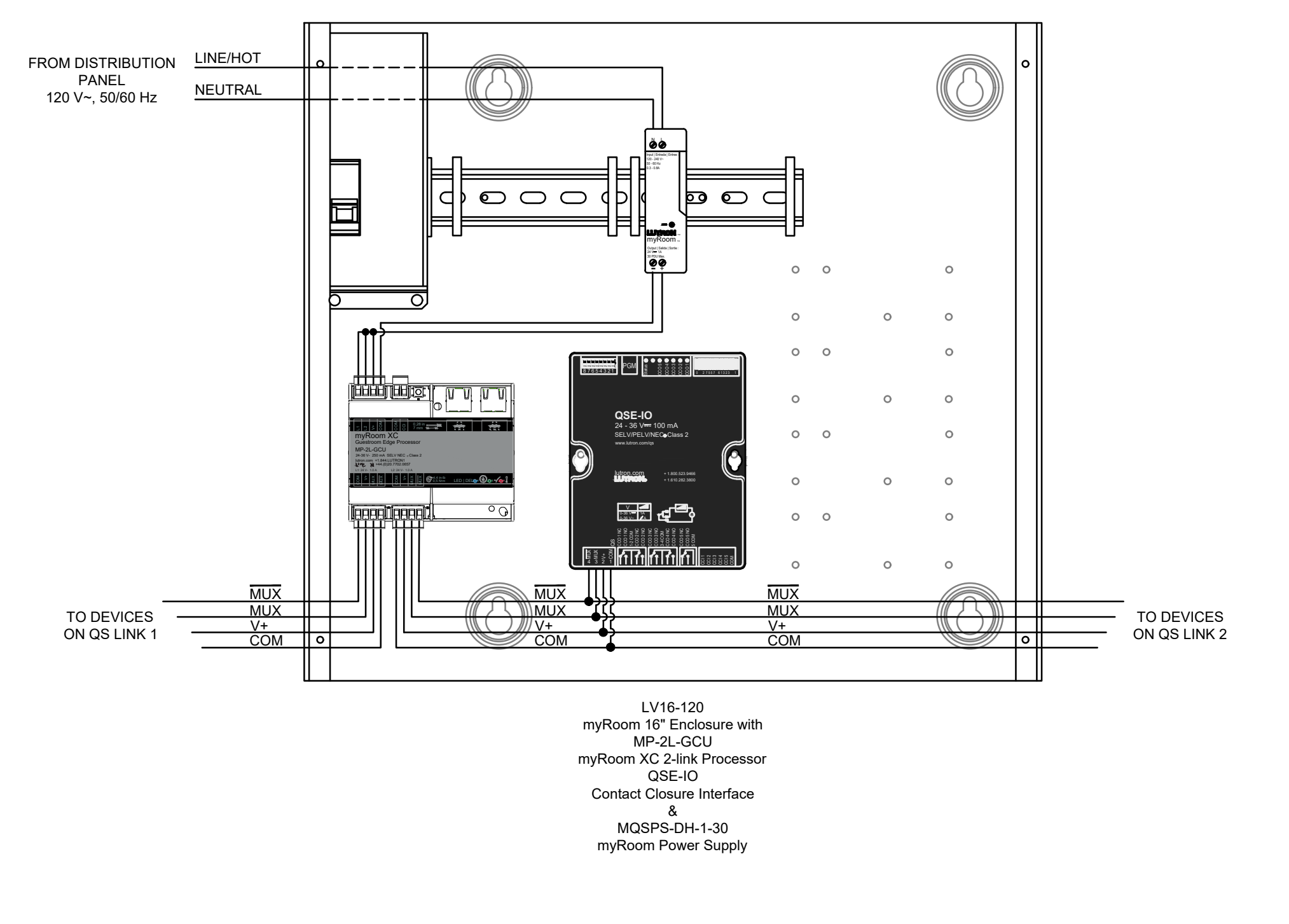
1 Dimmed Receptacles from MQSE-4A1-D Dimming Module



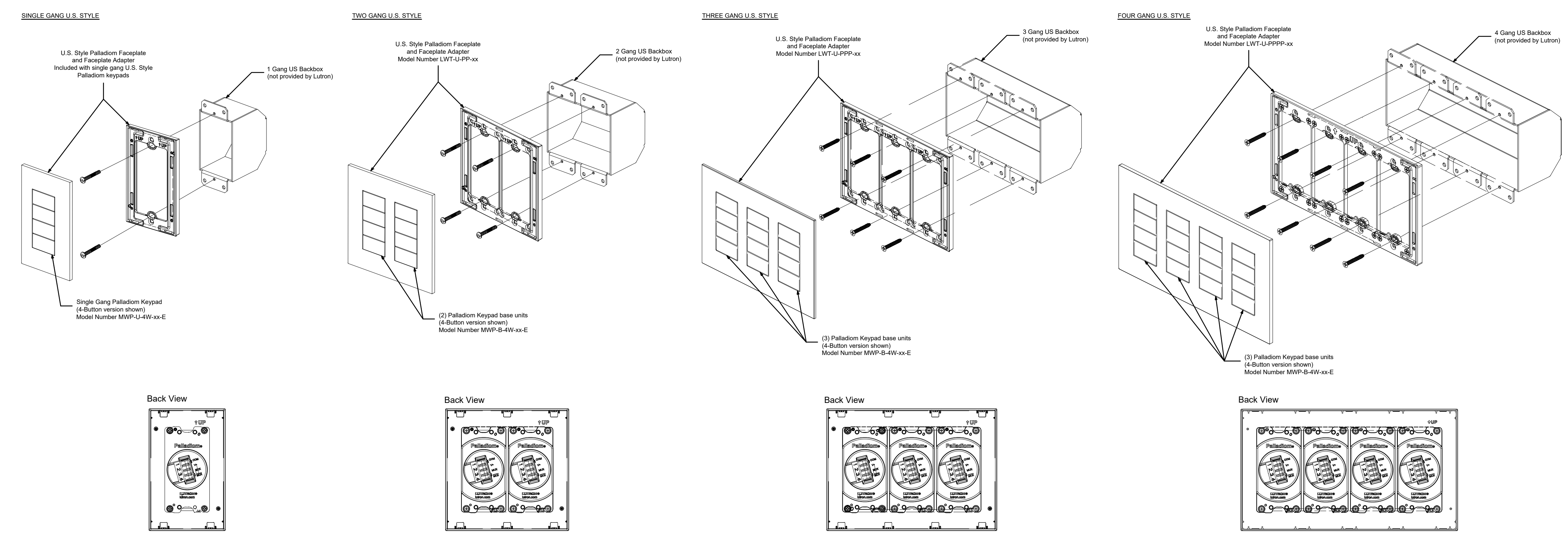
2 Power Supply Connections to myRoom XC Processors



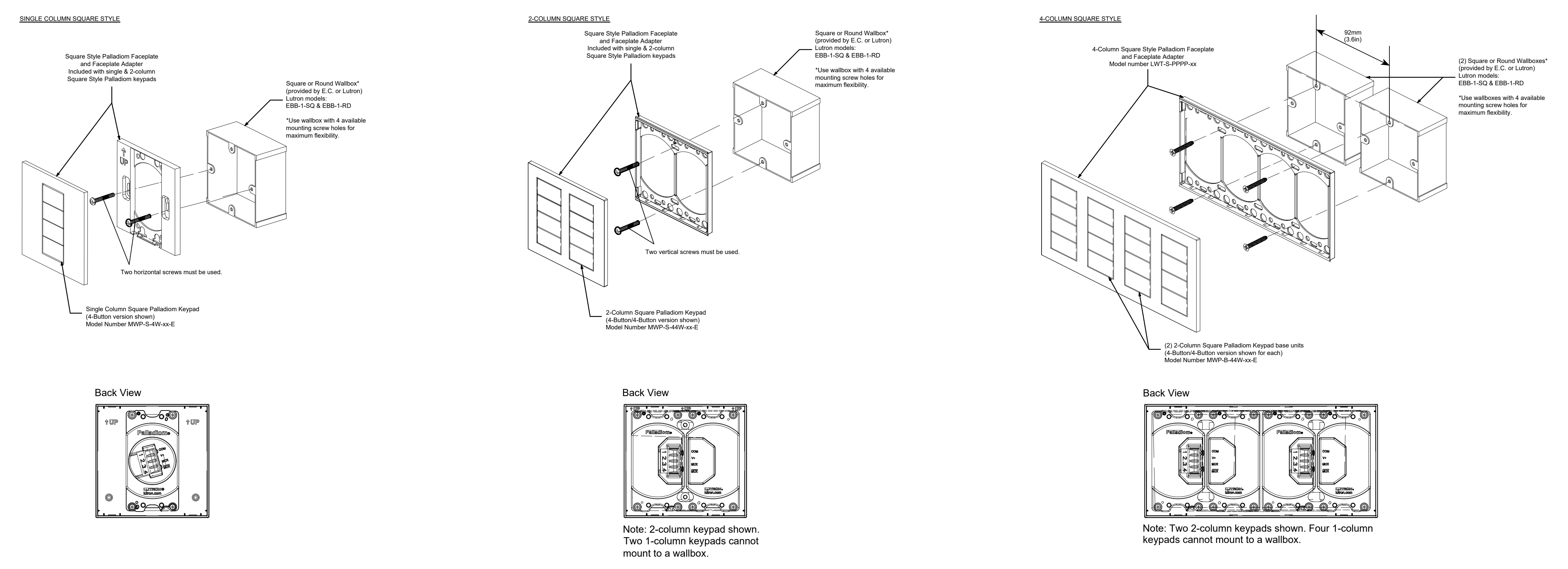
3 LV16-120 with MQSPS-DH-1-30, MP-1L-GCU, & QSE-IO



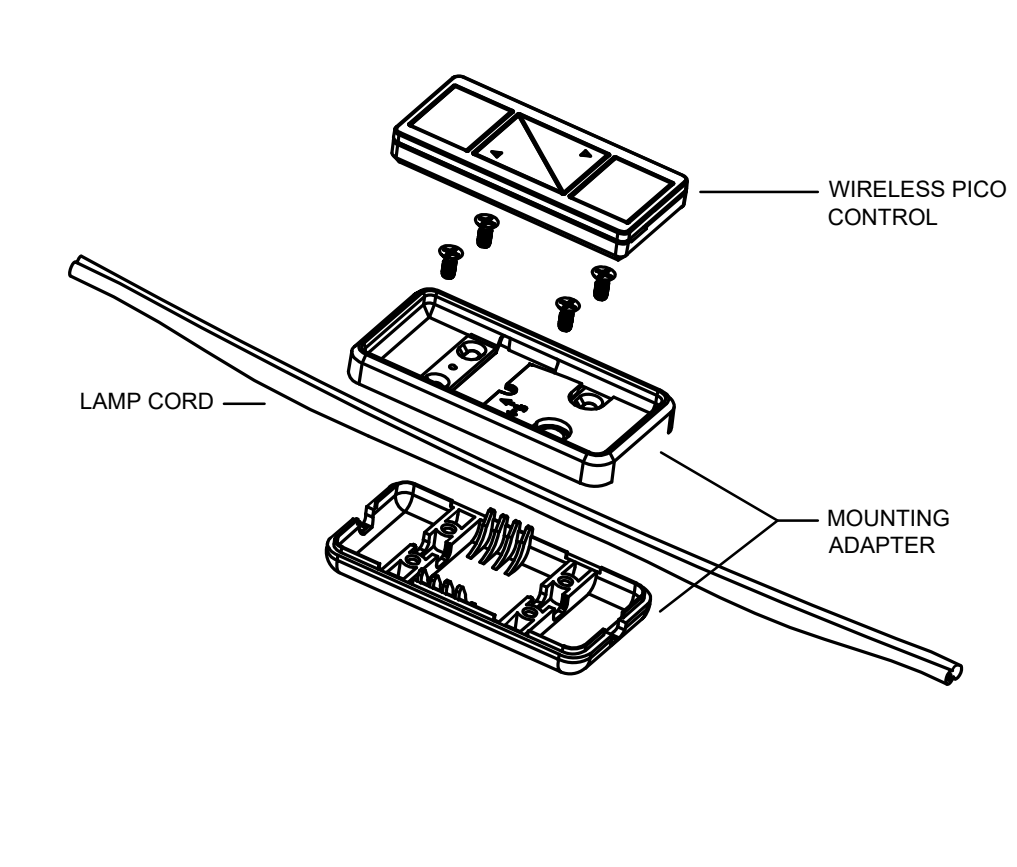
4 LV16-120 with MQSPS-DH-1-30, MP-2L-GCU, & QSE-IO



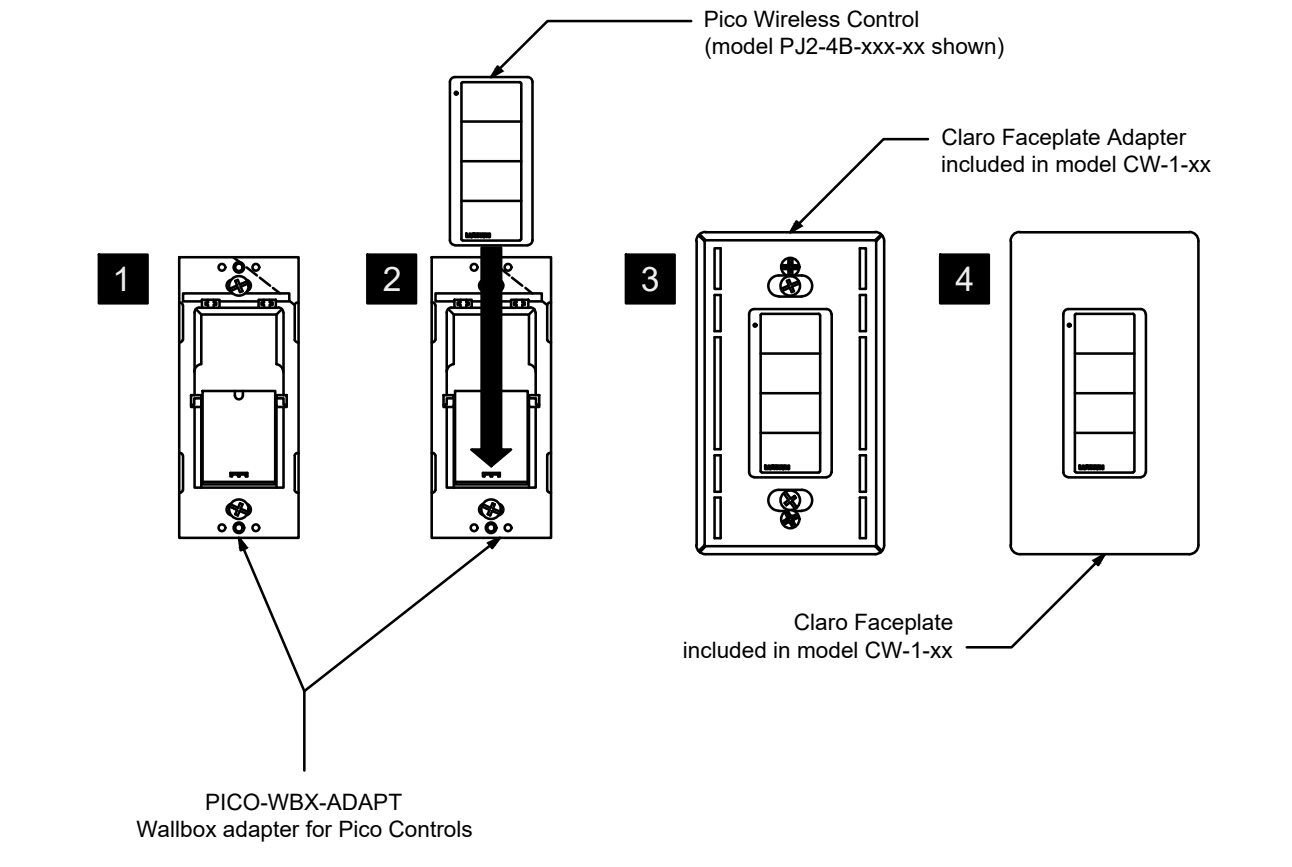
5 U.S. STYLE PALLADIOM KEYPAD ASSEMBLY DIAGRAMS



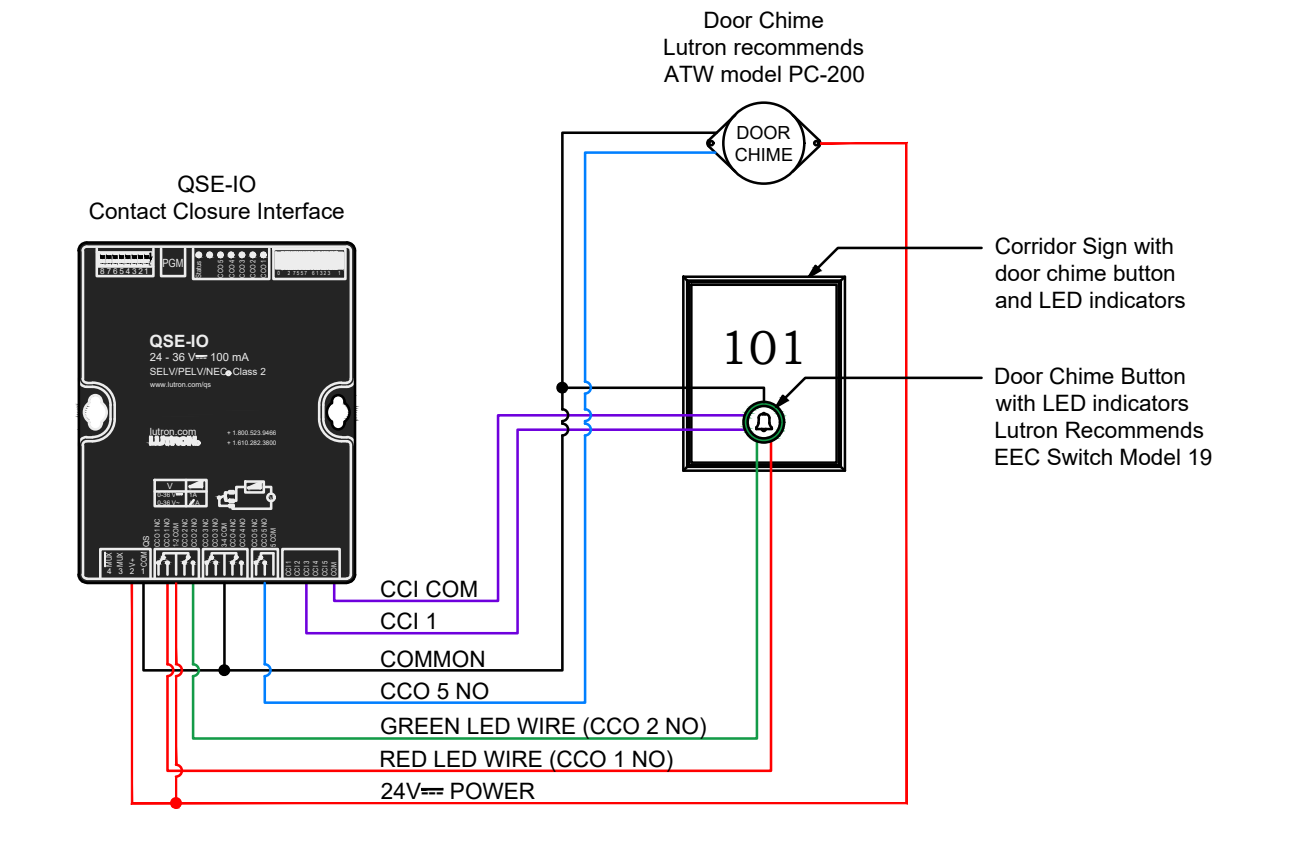
6 SQUARE STYLE PALLADIOM KEYPAD ASSEMBLY DIAGRAMS



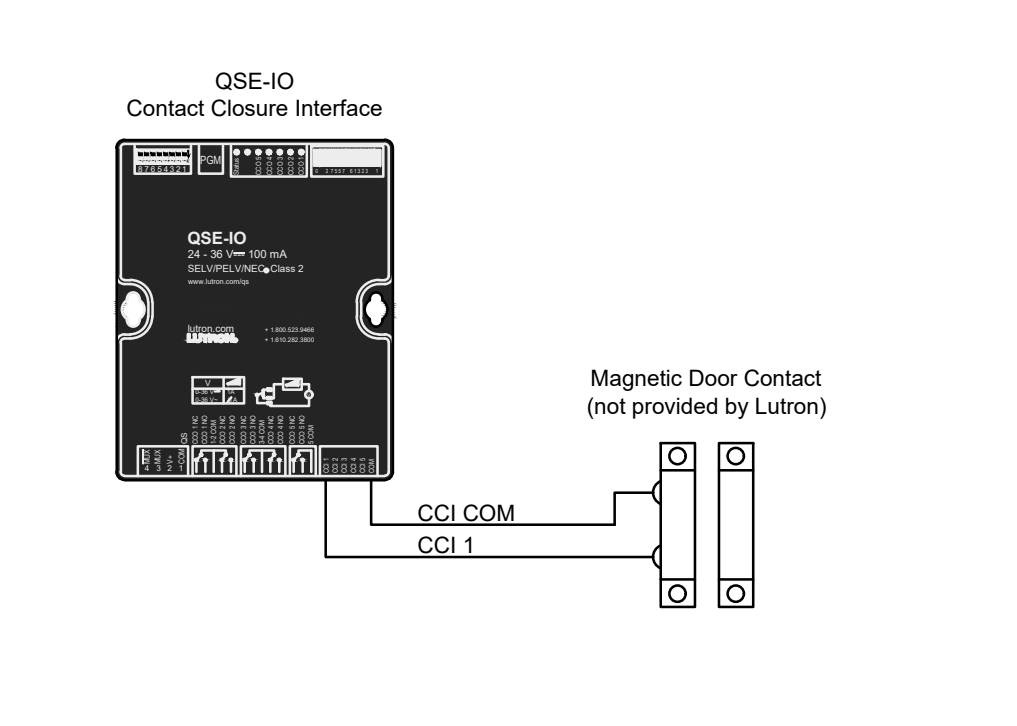
7 PICO-CORDMOUNT-CPN6969 ASSEMBLY DIAGRAM



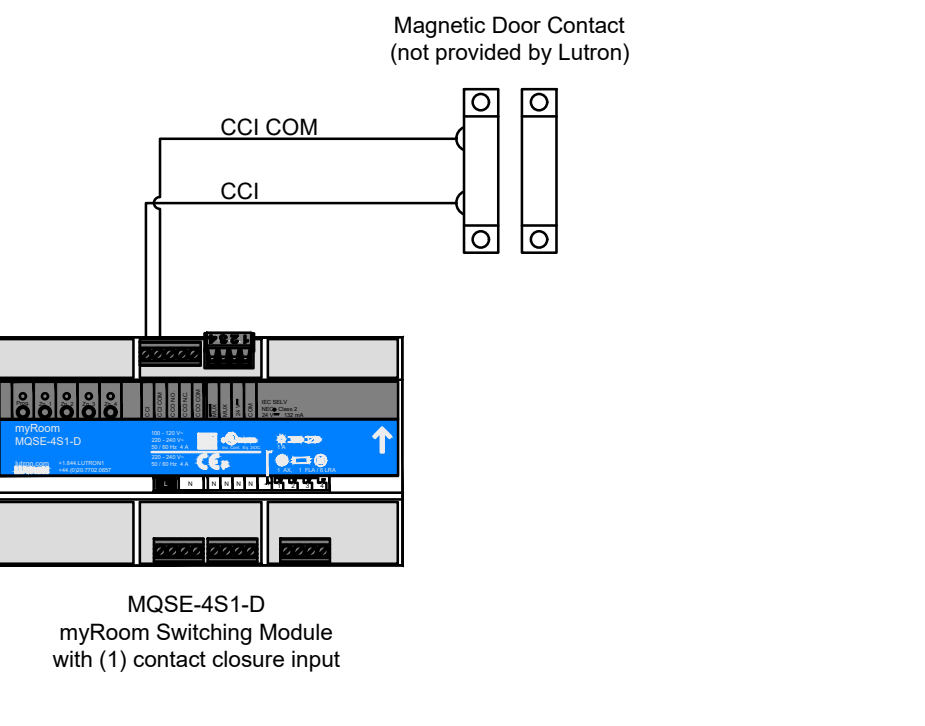
8 PICO MOUNTING WITH WALLBOX ADAPTER & FACEPLATE



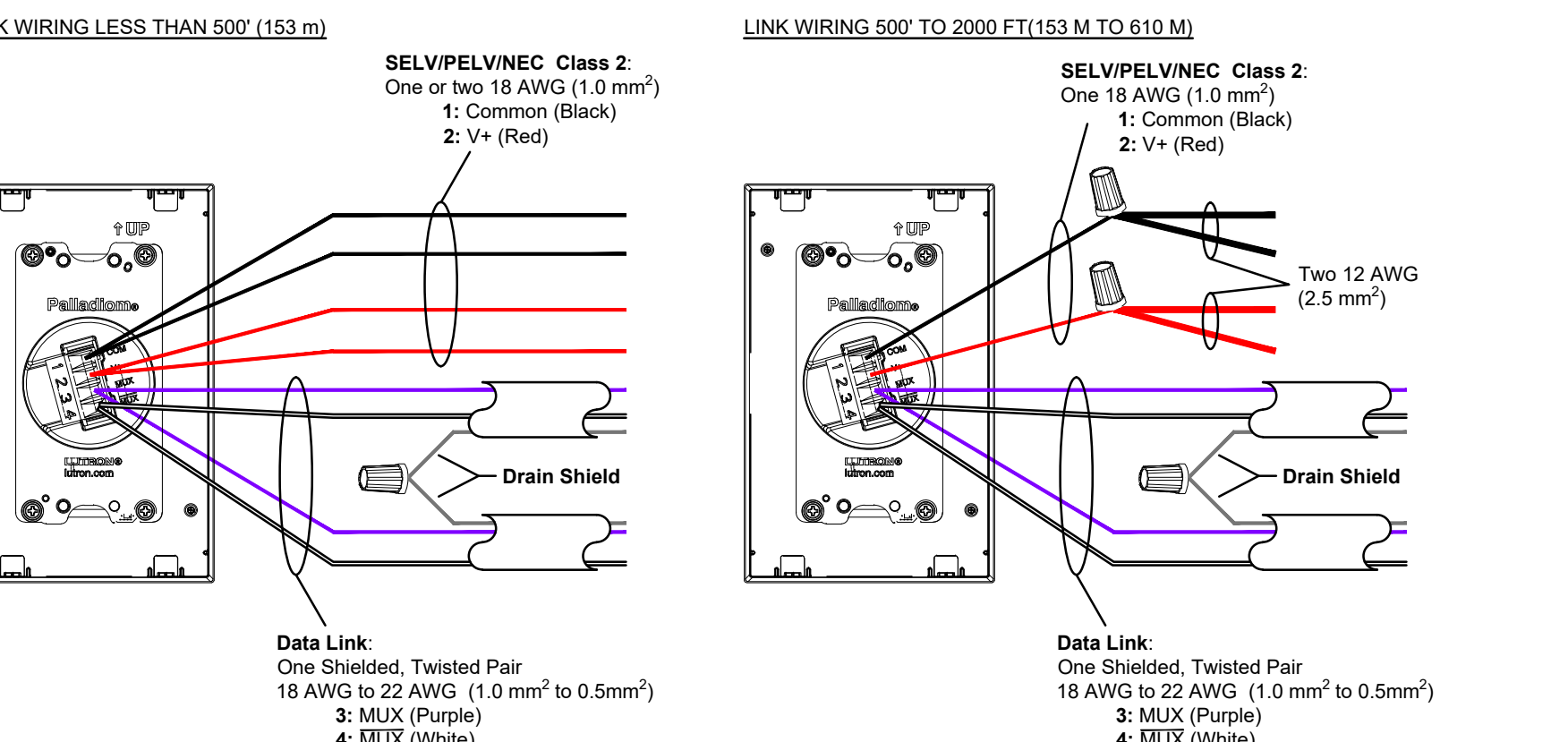
9 CONNECTION TO ILLUMINATED DOORBELL BUTTON & DOOR CHIME



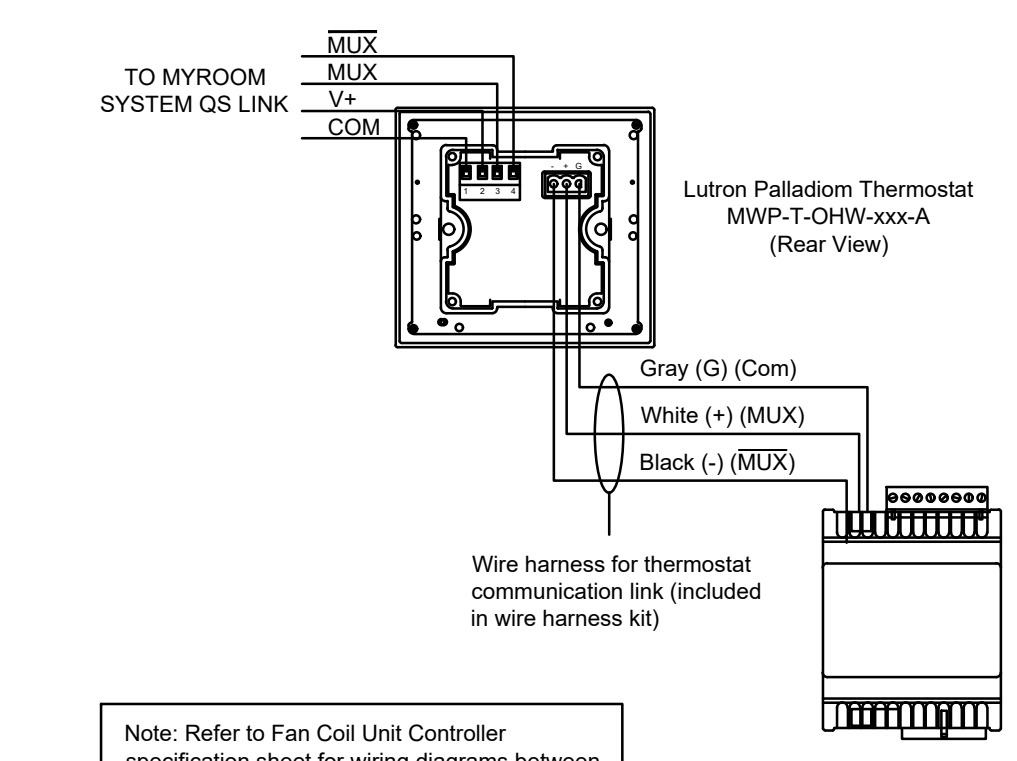
10 DOOR CONTACT TO QSE-IO



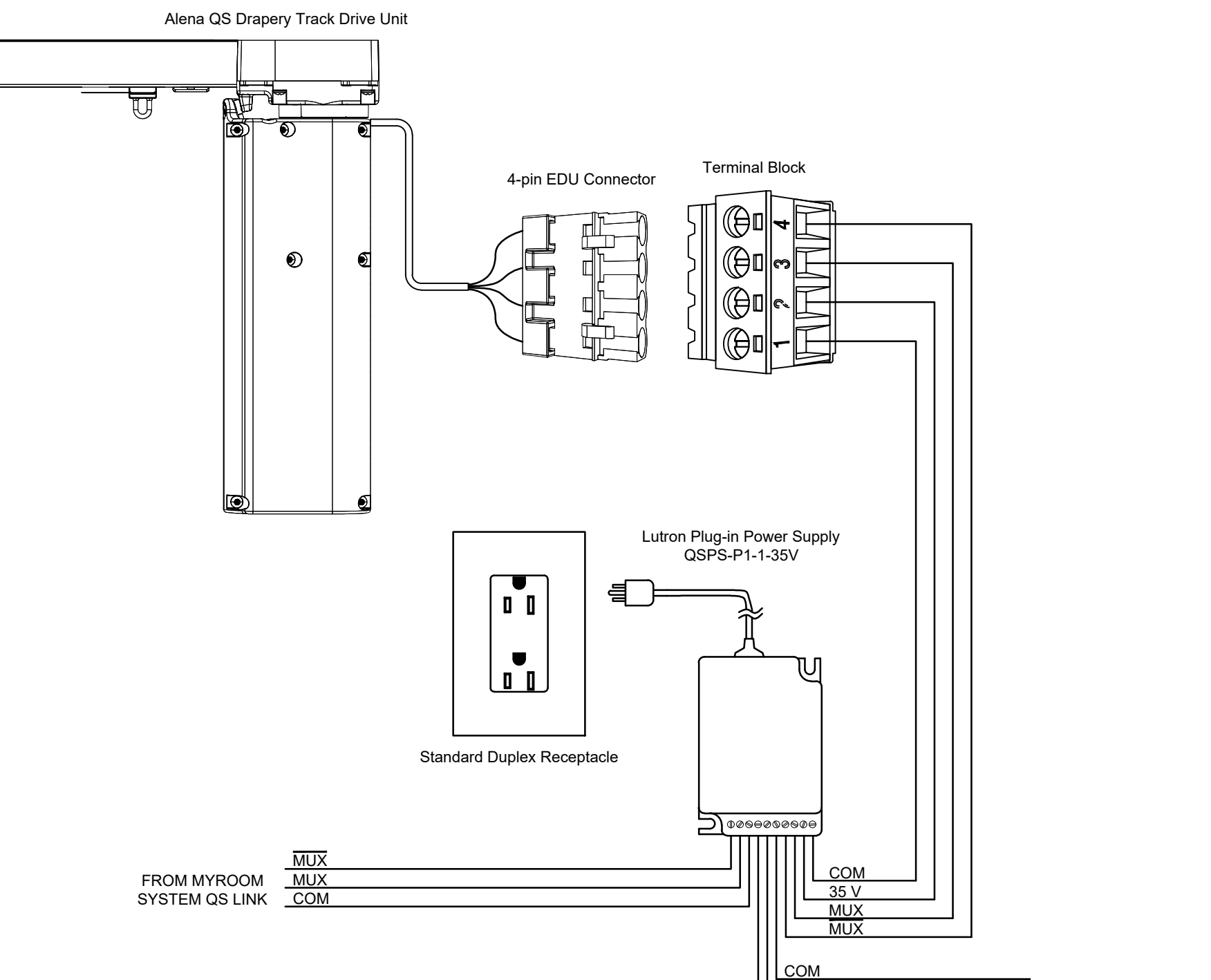
11 DOOR CONTACT TO MQSE-4S1-D



12 PALLADIOM KEYPAD WIRING



13 PALLADIOM THERMOSTAT TO FCU CONTROLLER



14 ALENA QS DRAPERY TRACK WIRING