

# Caséta by LUTRON quick-start guide

## Pico remote control & in-wall dimmer

Welcome—and thank you for purchasing a Caséta by Lutron dimming kit. In order to control your lights from an app or remote, you'll need to replace an existing switch with a Caséta by Lutron in-wall dimmer.

Before you install the dimmer, please watch the installation video at [www.casetawireless.com/support](http://www.casetawireless.com/support)

We hope you enjoy the convenience of Caséta by Lutron!

## Double your warranty

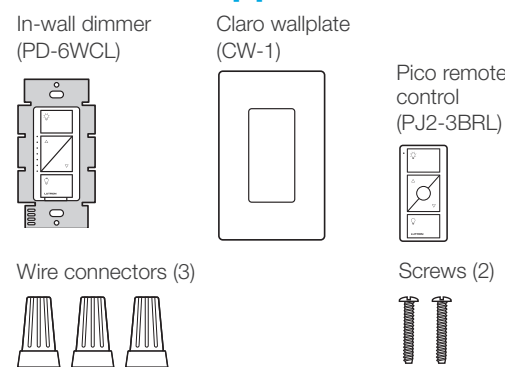
Love Caséta dimmers? Have ideas for making them better? Tell us what you think and we'll extend your warranty by 1 year.

[www.casetawireless.com/register](http://www.casetawireless.com/register)

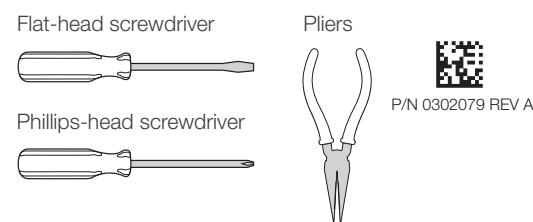


## P-PKG1W-WH-C P-PKG1W-WH-R-C P-PKG1W-WH-R2-C

### Contents supplied



### Tools you'll need



Works with energy efficient dimmable light bulbs:

- LED**—up to 150 W
- Halogen**—up to 600 W
- Incandescent**—up to 600 W

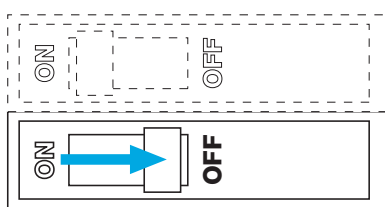
**NOTE:** You can mix and match dimmable LED, halogen and incandescent light bulbs, with Caséta dimmers.

Dimmable LED light bulbs vary in their dimming performance. If you're using these bulbs and they flicker or turn off, please visit [www.casetawireless.com/lowend](http://www.casetawireless.com/lowend) for information on adjusting the dimmer for best bulb performance.

For a complete list of compatible dimmable LEDs, please visit [www.casetawireless.com/bulblast](http://www.casetawireless.com/bulblast)

# Installing your dimmer Installation for lights with one wall switch (single-pole)

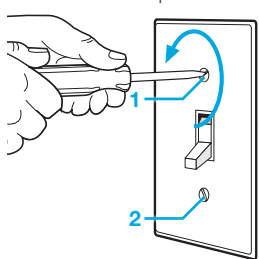
## 1 Turn power off at circuit breaker!



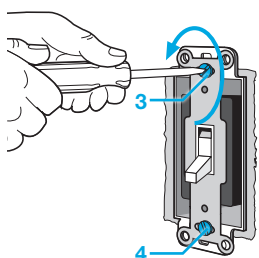
**WARNING: SHOCK HAZARD.** May result in serious injury or death. Turn off power at circuit breaker or fuse before installing.

## 2 Remove existing switch from wall

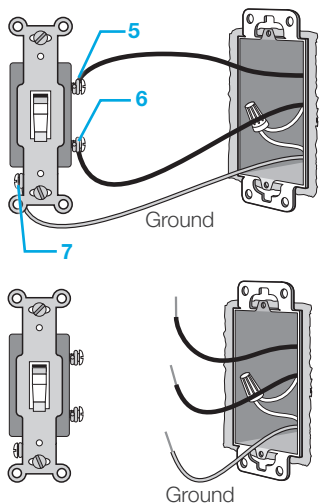
Remove the wallplate from switch.



Remove the switch and pull it away from the wall.

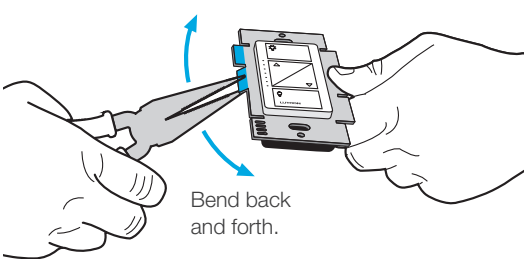


Disconnect all three wires\* from the switch.

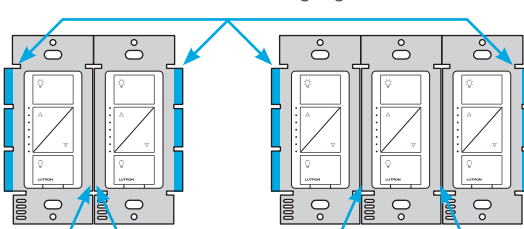


\*If your switch has more than 3 wires attached, see "Installing Caséta in a 3-way switch application" video at [www.casetawireless.com/3way](http://www.casetawireless.com/3way)

## 3 Remove side sections (if necessary)



**Do not** remove outside side sections on dimmers at the end of gang.



Each dimmer has inside side sections removed.

Dimmer at middle has all side sections removed.

### Important note:

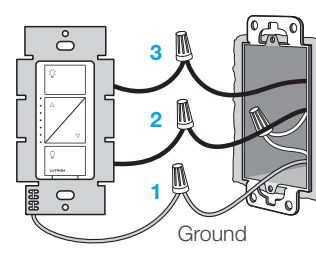
Removing side sections reduces the dimmer's maximum wattage rating. See the chart below for maximum wattage information.

#### Maximum\* wattage derating chart (120 V~ 50/60 Hz)

Side sections removed	None	1 side	2 sides
LED & CFL	150 W	150 W	150 W
or*			
Incandescent & Halogen	600 W	500 W	400 W

\*For maximum wattage information when mixing light bulb types see [www.casetawireless.com/ganging](http://www.casetawireless.com/ganging)

## 4 Connect the dimmer



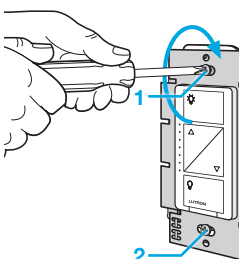
1 Connect the bare copper (or green) "ground" wire from the wallbox to the green wire on the dimmer using a wire connector.

2 Connect either of the remaining wires from the wallbox to either of the remaining wires on the dimmer using a second wire connector.

3 Connect the remaining wire from the wall to the remaining wire on the dimmer using a third wire connector.

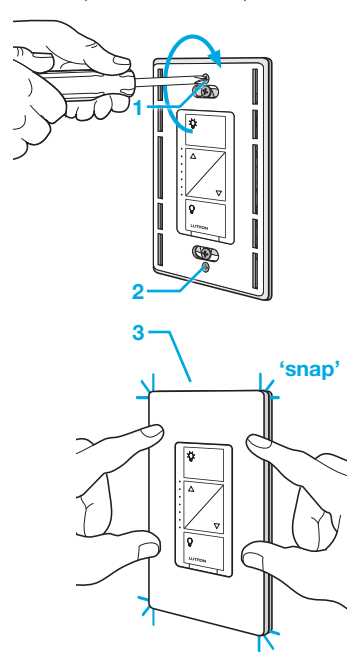
## 5 Mount the dimmer

Use the screws provided.



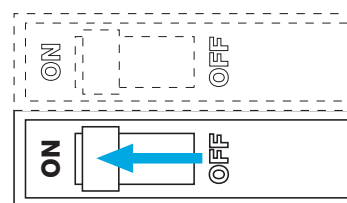
## 6 Attach the wallplate

Attach the adapter to the dimmer using the screws provided and snap on the wallplate.



(If you installed the dimmer next to other dimmers or switches, you'll need to install a wallplate with the correct size/number of openings to accommodate all the devices.)

## 7 Turn power on at circuit breaker



### CAUTION

Use only with permanently installed fixtures with dimmable LED, dimmable CFL, halogen, or incandescent lamps. To avoid overheating and possible damage to other equipment, do not use to control receptacles, motor-driven appliances, or transformer-supplied appliances.

**CAUTION: Risk of Fire, Explosion, Leakage, and Burns.** Do Not Recharge, Disassemble, Heat Above 212 °F (100 °C) or Incinerate. This product contains a lithium button/coin cell battery. Keep batteries away from children. If a new or used lithium button/coin cell battery is swallowed or enters the body, it can cause severe internal burns and can lead to death in as little as 2 hours. Always completely secure the battery compartment. If the battery compartment does not close securely, stop using the product, remove the batteries, and keep the batteries away from children. If you think batteries might have been swallowed or placed inside any part of the body, seek immediate medical attention.

The battery in this device contains Perchlorate Material — special handling may apply. For more information, visit [www.dtscc.gov/hazardouswaste/perchlorate](http://www.dtscc.gov/hazardouswaste/perchlorate)

**Codes** Install in accordance with all national and local electrical codes.

**Grounding** When no "grounding means" exist in wallbox, the National Electrical Code (NEC) allows a control to be installed as a replacement if 1) a nonmetallic, noncombustible faceplate is used with nonmetallic attachment screws or 2) the circuit is protected by a ground fault circuit interrupter (GFCI). When installing a control according to these methods, cap or remove green wire before screwing control into wallbox.

**FCC/IC Information** This device complies with part 15 of the FCC Rules and Industry Canada license-exempt RSS standard(s). Operation is subject to the following two conditions: (1) This device may not cause interference, and (2) this device must accept any interference, including interference that may cause undesired operation. Modifications not expressly approved by Lutron Electronics Co., Inc. could void the user's authority to operate this equipment.

Note: This equipment has been tested and found to comply with the limits for a Class B digital device, pursuant to part 15 of the FCC Rules. These limits are designed to provide reasonable protection against harmful interference in a residential installation. This equipment generates, uses and can radiate radio frequency energy and, if not installed and used in accordance with the instructions, may cause harmful interference to radio communications. However, there is no guarantee that interference will not occur in a particular installation. If this equipment does cause harmful interference to radio or television reception, which can be determined by turning the equipment off and on, the user is encouraged to try to correct the interference by one or more of the following measures: —Reorient or relocate the receiving antenna. —Increase the separation between the equipment and receiver. —Connect the equipment into an outlet on a circuit different from that to which the receiver is connected. —Consult the dealer or an experienced radio/TV technician for help.

### Warranty

For warranty information, please visit [www.casetawireless.com/warranty](http://www.casetawireless.com/warranty)

### Troubleshooting

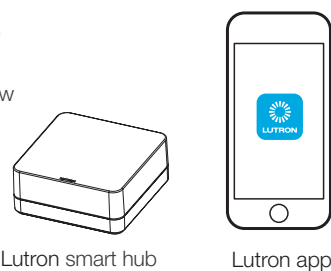
Symptoms	Probable cause and action
Light does not turn on or in-wall dimmer LEDs do not light up.	<ul style="list-style-type: none"> <li>Light bulb(s) burned out.</li> <li>Breaker is OFF or tripped.</li> <li>Light not properly installed.</li> <li>Wiring error.</li> <li>FASS switch on the dimmer is in the Off position.</li> </ul>
Light does not respond to Pico remote control.	<ul style="list-style-type: none"> <li>The dimmer failed to pair with Pico remote control; see <i>Pairing the dimmer and Pico remote control</i>.</li> <li>The dimmer is already at the light level the Pico remote control is sending.</li> <li>The Pico remote control is outside the 30 ft (9 m) operating range.</li> <li>The Pico remote control battery is low.</li> <li>The Pico remote control battery is installed incorrectly.</li> </ul>

# Using your Caséta by Lutron kit

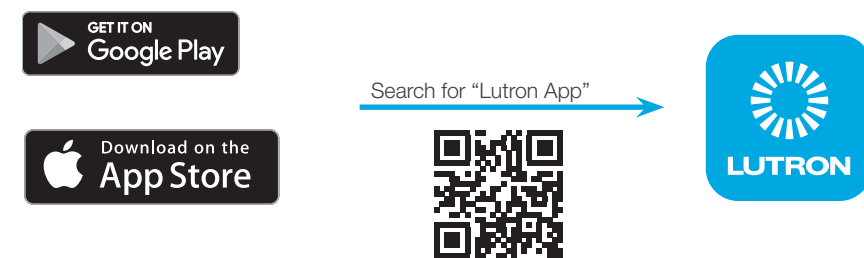
## With a smartphone or tablet (hub required, sold separately)

The Caséta dimmer can be controlled from a smartphone when used with the Lutron smart hub (formerly smart bridge). If you are using the dimmer and remote control with the Lutron smart hub follow the instructions below.

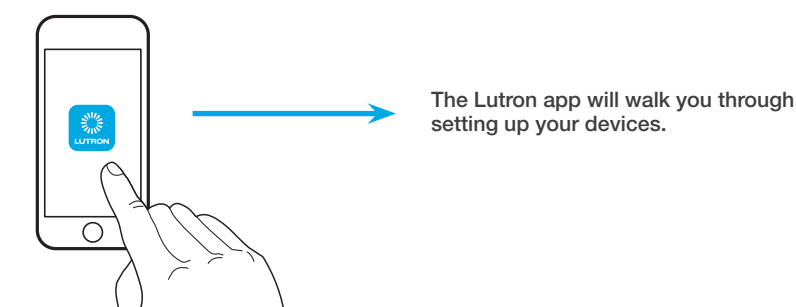
Note: If you are using the dimmer and remote control with another manufacturer's hub, please refer to that manufacturer's instructions for set-up.



## 1 Download the Lutron app



## 2 Launch the Lutron app



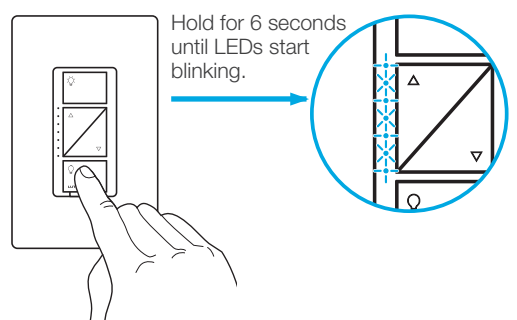
## 3 Use the Lutron app to complete ALL remaining steps



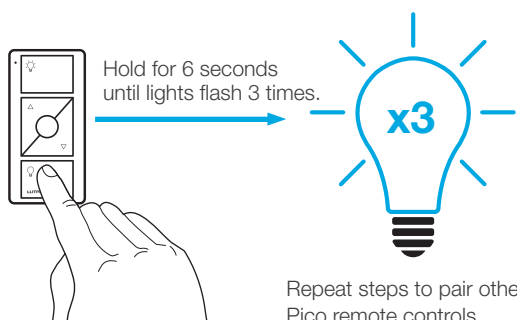
## Without a smartphone or tablet (hub not required)

### Pairing the dimmer and Pico remote control

#### 1 Press and hold "off" button on dimmer

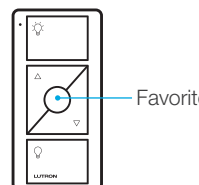


#### 2 Press and hold "off" button on remote

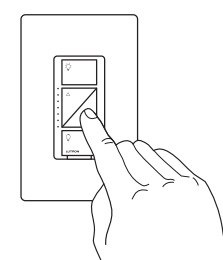


### Changing the favorite light level on the Pico remote control (optional)

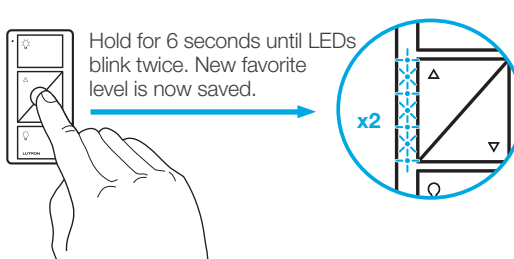
You can use the round "favorite" button on the Pico remote control to recall a favorite light level. We've set it to 50%, but you can change it to any level you like.



#### 3 Set desired light level on dimmer

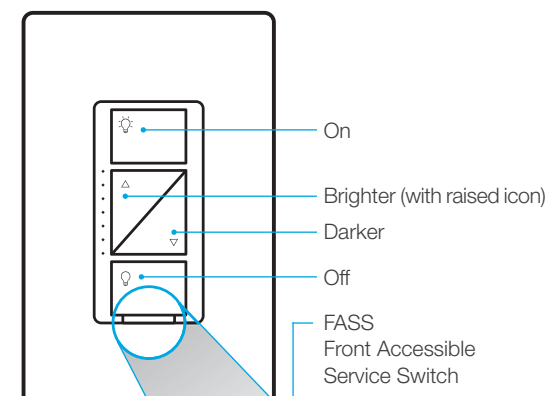


#### 4 Press and hold "favorite" button on remote

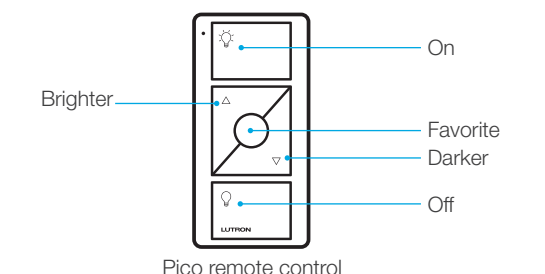


For advanced features, tips on how to use Caséta dimmers with CFLs and LEDs, the complete Caséta product line, and more, please visit [www.casetawireless.com/features](http://www.casetawireless.com/features)

## Using your controls



**Replacing light bulbs using FASS** Pull the FASS switch out on the in-wall dimmer to remove power at the light socket.



### Important notes:

- For indoor use only.
- Operate between 32 °F (0 °C) and 104 °F (40 °C).

### Device Ratings

In-wall dimmer PD-6WCL 120 V~ 50/60 Hz

Pico remote control PJ2-3BRL 3 V $\approx$  10 mA (1) CR2032 battery (included)

Lutron, the Lutron logo, Caséta, Claro, FASS, Pico, and the design of the Pico remote are trademarks or registered trademarks of Lutron Electronics Co., Inc. in the US and/or other countries. Apple is a trademark of Apple Inc., registered in the U.S. and other countries. AppStore is a service mark of Apple Inc. All other product names, logos, and brands are property of their respective owners. ©2014-2023 Lutron Electronics Co., Inc.

