

Lutron | Roller 20

The Lutron roller 20 shade utilizes the ultra-quiet, precision controlled Electronic Drive Unit. The roller 20 drive unit is housed inside the roller shade assembly and controls the movement of the shade, keeps track of the shade's position, and adjusts the shade to the user's desired preset positions.

Features and Specifications

- Provides maximum window coverage with the smallest possible light gaps, 0.75 in (19 mm.) between the shade fabric and the window frame. Light gaps are symmetrical on both sides of shade.
- roller 20 shade is compatible with QED, QS, and QS Wireless drive units.
- 8 year limited warranty
- Typical maximum size of shade fabric per drive is 20 ft² (1.86 m²)



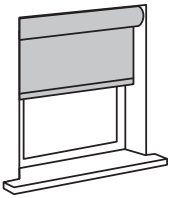
Lutron roller 20 shade

Job Name:	Model Numbers:
Job Number:	

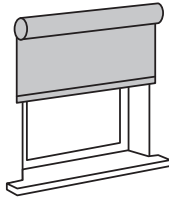
Lutron roller 20 shade options

Mounting options

The shade can be mounted inside the window frame, outside the window frame, or in a headbox.



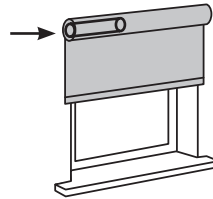
Inside mount



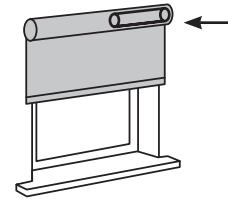
Outside mount

Drive side options

The Drive can be mounted on the left or right of the shade:

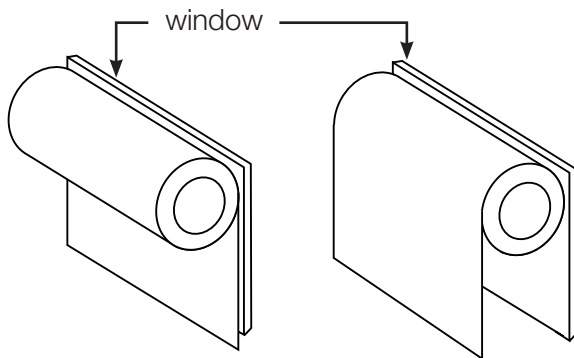


Left drive side



Right drive side

Fabric drop options



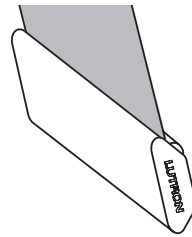
Regular roll

Reverse roll

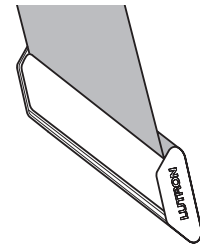
Bottom bar options

The bottom bar comes in three varieties:

1. Architectural bottom bar



Exposed bottom bar



Half-wrap bottom bar
(reverse view shown)

2. Exposed bottom bar available in:

- white
- bronze
- anodized
- custom color

3. Sealed in bottom bars also available.

Fabric Options

Lutron roller 20 roller shades are available in a wide variety of fabric types including:

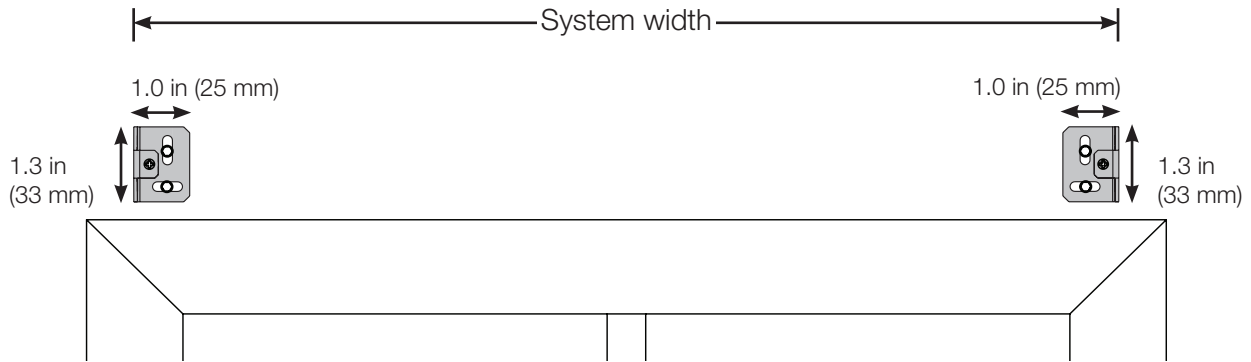
- Sheer – Filter sunlight, UV protection, view
- Privacy – Minimal translucence, UV protection
- Blackout – Total darkness, maximum UV protection, no view

For complete fabric selection, visit www.lutron.com

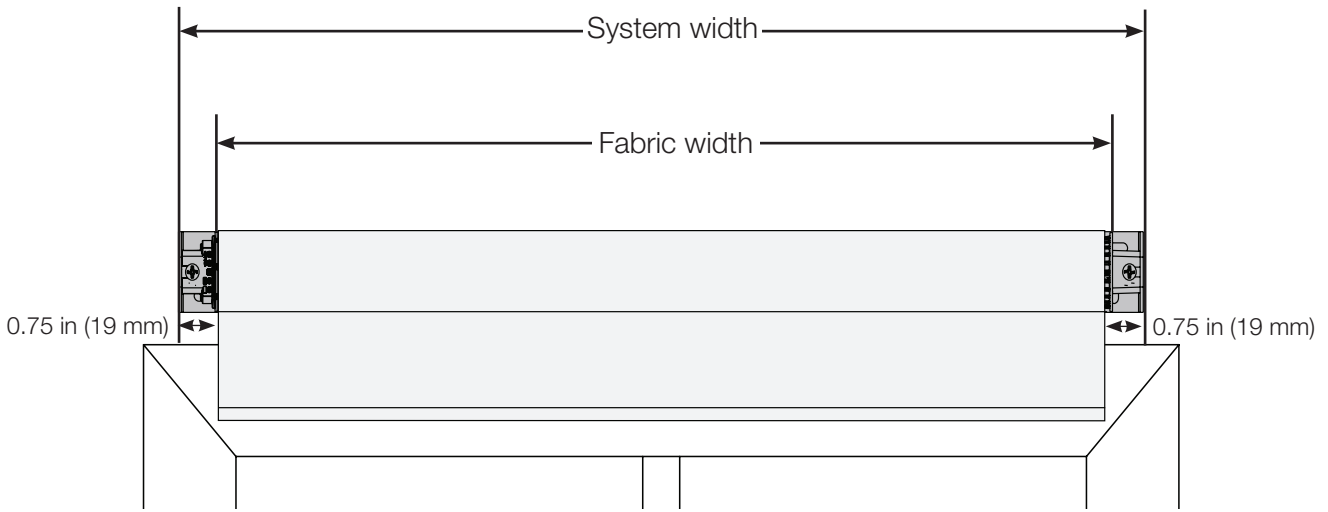
LUTRON® SPECIFICATION SUBMITTAL

<p>Job Name:</p> <p>Job Number:</p>	<p>Model Numbers:</p>
--	-----------------------

Dimensions



Complete Assembly



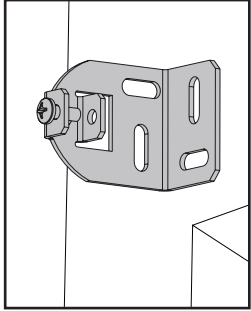
(Wall mount shown)

Job Name:	Model Numbers:
Job Number:	

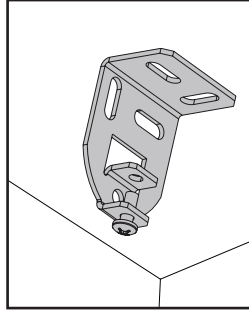
Bracket options

The Lutron roller 20 uses 3 distinct bracket designs to accommodate a variety of mounting conditions:

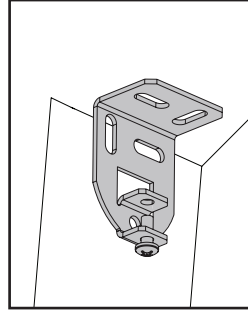
1 Universal Bracket



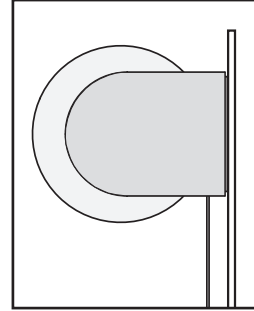
Wall mount



Ceiling mount

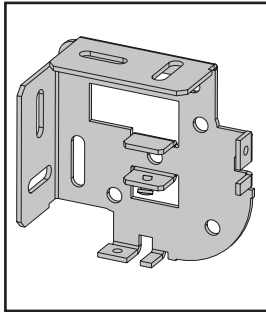


Jamb/recess mount

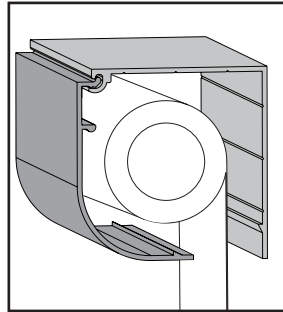


End cap in white

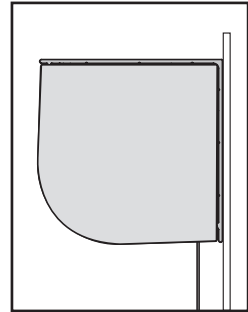
2 Fascia Mount Bracket



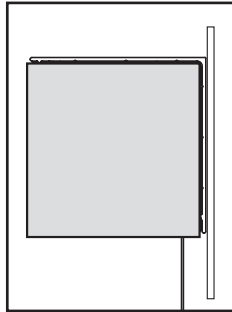
For use with curved or squared Fascia



Curved Fascia

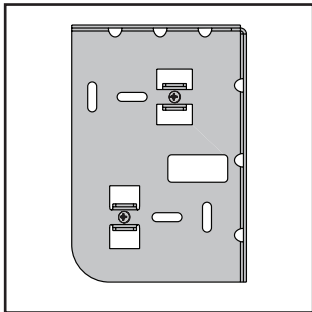


Fascia end caps available in white, gray, or bronze plastic



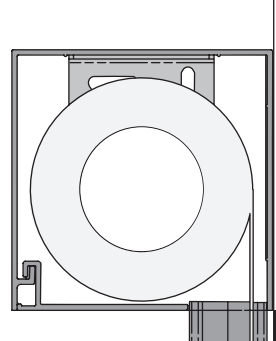
Squared Fascia with end cap

3 Dual Mount Bracket



For installation where 2 roller shades, a sheer shade and blackout shade, for example, are installed in the same window.

4 Pocket mount bracket

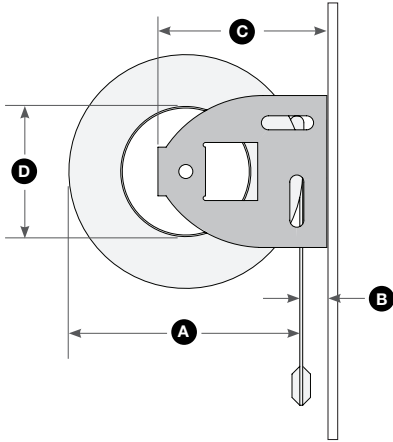


Job Name:

Model Numbers:

Job Number:

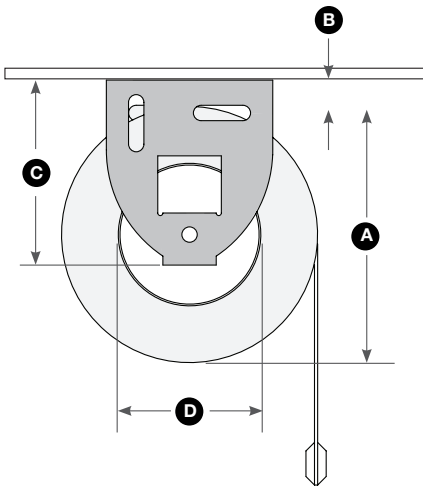
Fabric drop wall mount or jamb mount



Dimensions

- A** 2.5 in (64 mm)
- B** 0.18 in (5 mm) minimum
- C** 1.65 in (42 mm)
- D** 1.25 in (32 mm)

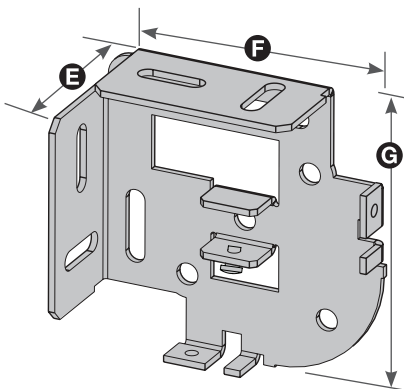
Fabric drop ceiling mount



Dimensions

- A** 2.5 in (64 mm)
- B** 0.18 in (5 mm) minimum
- C** 1.65 in (42 mm)
- D** 1.25 in (32 mm)

Fascia bracket



Dimensions

- E** 1.00 in (25 mm)
- F** 2.70 in (69 mm)
- G** 2.70 in (69 mm)

Job Name:

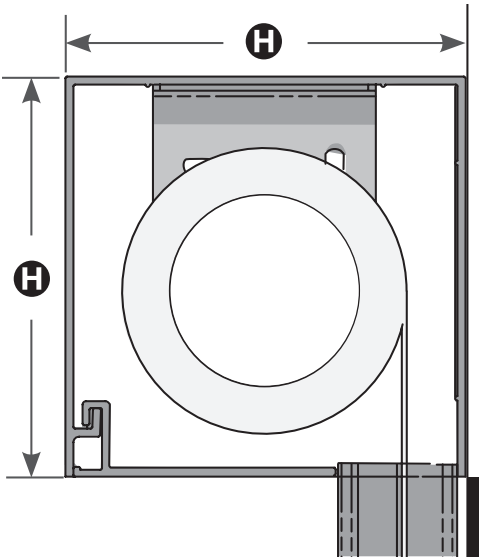
Model Numbers:

Job Number:

Pocket Installation

Dimensions

H 3.5 in (89 mm)

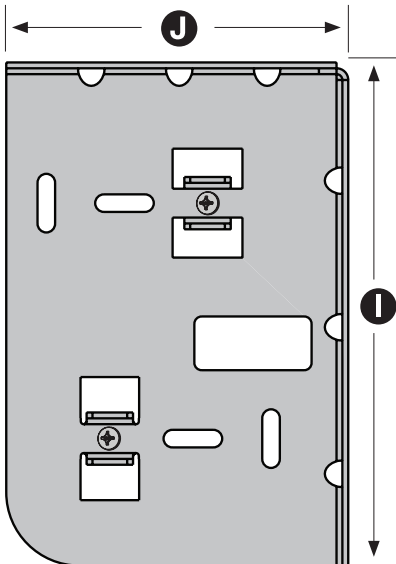


Dual-mount

Dimensions

I 5.15 in (131 mm)

J 3.5 in (89 mm)



Job Name:	Model Numbers:
Job Number:	