



Sivoia QS

Shade Drive Upgrade Guide

Revision A

Overview

As a leader in the Lighting control industry, Lutron constantly strives to innovate and improve its product offering. As a result, sometimes maintaining compatibility of the new products with the older products is impractical. Our newest shading products, Sivoia QS and Sivoia QS Wireless are compatible with all of our HomeWorks QS, RadioRA 2, Quantum and Grafik Eye QS lighting systems. Sivoia QED, Sivoia QED RF, Sivoia Classic and Serena shade drives are not directly compatible with these systems.

Any of these incompatible shade products can be upgraded to Sivoia QS or Sivoia QS Wireless. The upgrade from Sivoia Classic and Serena is the most involved and will require a completely new shade, including drive and some level of rewiring. The upgrade from Sivoia QED and Sivoia QED RF is the simplest and most common, requiring at minimum, only a new drive unit, a new power supply and simple reconfiguration of the existing wiring. Depending on the condition of the original fabric and other hardware, it may be desirable to replace the entire shade anyway.

Upgrading to a Sivoia QS Wireless system will also require the addition of a wireless receiver (QSYC4-RCVR) for each of the drives.

The purpose of this document is to provide the specific guidelines on how to upgrade any Lutron shading system to Sivoia QS or Sivoia QS Wireless, including hardware replacement and rewiring.

Things to consider

1. When evaluating the shades you plan to convert to Sivoia QS or Sivoia QS Wireless, consider the condition of the shade. It may be practical to replace the entire shade to take advantage of upgrading the fabric or upgrading to newer shading products that were not available at the time of the initial installation. i.e. CERUS Roman shades, Kirbé, Tensioned Shades, Venetian Blinds, etc.
2. Consider expanding the shading system to cover additional windows in the project.
3. Replace all shade keypads with compatible models based on the desired functionality of the keypads and the type of system you are upgrading to. Refer to the *Sivoia QS and Sivoia QS Wireless Keypad Upgrade Chart* on page 5.

Upgrade Process

1. Determine what drive unit is installed in your shading product and select the appropriate replacement drive model number from the *Sivoia QS and Sivoia QS Wireless Drive Upgrade Chart* on page 4. The model number of the drive is located on the label attached to the wiring harness of the drive.
2. Determine the current power supply installed and select the appropriate replacement power supply from the *Sivoia QS and Sivoia QS Wireless Power Supply Upgrade Chart* on page 5. The model number is located on the unit label.
3. Remove the drive and replace with the new drive. Replacing a drive that is enclosed in a tube (Roller Shade, Roman Shade, Kirbé Drapery and Tensioned Shade) requires sliding the old drive out of the tube and inserting the new one in its place. This *may* require the removal of 3 screws that hold the drive in place and removing a bracket from the old drive and re-attaching it to the new drive. Drives attached to a drapery track require the removal of one screw and a quarter turn of the drive unit to remove.
4. Reconfigure the existing wiring. Refer to the *Wiring* section on pages 6-7 and select the appropriate rewiring scenario for your application.

Notes:

- If you have difficulty identifying your drive model number, power supply model number, replacing the drive unit, or anything else outlined above, contact Technical Support at 1-800-523-9466.
- In some cases the entire shade system may need to be replaced. If this is the case, contact Customer Service/Quotes at shadinginfo@lutron.com or 1-888-LUTRON1 for the appropriate replacement product for your application.

Sivoia QS and Sivoia QS Wireless Drive Upgrade Chart

If you have a:	with the following drive unit:	replace with:	for wireless add:
Sivoia QED Roller 20 - Roller Shade - Roman Shade	SVQ-EDU-3-BULK	QSSC-EDU-R20	QSYC4-RCVR
Sivoia QED Roller 64 - Roller Shade	SVQ-EDU-5 SVQ-EDUS-5	QSSC-EDU-5	
Sivoia QED Roller 64 - Roller Shade	SVQ-EDU-10 SVQ-EDUS-10	QSSC-EDU-10	
Sivoia QED Roller 64 - Roman Shade	SVQ-EDU-5 SVQ-EDUS-5 SVQ-EDU-10 SVQ-EDUS-10 SVQ-EDUS-10R	QSSC-EDU-10R	
Sivoia QED Roller 100/WIDR - Roller Shade - Coupled Roller Shade - Roman Shade - Kirbé Drapery	SVQ-EDU-30 SVQ-EDUJ-30	QSSC-EDU-R100	
Sivoia QED Roller 100/WIDR - Roller Shade - Coupled Roller Shade - Roman Shade - Kirbé Drapery	SVQ-EDU-30H SVQ-EDUJ-30H	QSSC-EDU-R150	
Sivoia QED Roller 200CW/WIDR - Roller Shade - Roman Shade	SVQ-EDU-60 SVQ-EDUJ-60	QSSC-EDU-R200CW	
Sivoia QED Roller 225 - Roller Shade	SVQ-EDU-30 SVQ-EDUJ-30 SVQ-EDU-30H SVQ-EDUJ-30H	QSSC-EDU-R225	
Sivoia QED - Drapery	SVQ-EDU-D10-BULK	QSSC-EDU-D105	
Sivoia QED - Drapery	SVQ-EDU-D145-BLK	QSSC-EDU-D145	
Sivoia QED - Tensioned Roller Shade (i.e. Skylight, Bottom-Up)	SVQ-EDUJ-30HT	QSSC-EDU-R100T	
Sivoia QED RF Roller 64 - Roller Shade - Roman Shade	SVQ-EDUH1-10 SVQ-EDUH1S-10	QSSC-EDU-10	
Sivoia QED - Drapery	SVQ-EDU-20	Contact Customer Service/Quotes at shadinginfo@lutron.com or 1-888-LUTRON1 for the appropriate replacement product	
Sivoia Classic - Roller Shade - Drapery - Roman Shade	SV-MDU-20		
Serena - Single Roller - Double Roller	All model numbers		

Sivoia QS and Sivoia QS Wireless Power Supply Upgrade Chart

If you have the following QED power supply:	replace with:
SV-50SF-PI (Sivoia QED 50 VA Plug-In Power Supply)	QSPS-P1-1-50 (Sivoia QS Plug-in Single Power Supply)
SV-100SF-PI (Sivoia QED 95 VA Plug-In Power Supply)	
SVQ-PS-P1-1-50 (Sivoia QED Plug-in Single Power Supply)	
SV-100SF-JBOX (Sivoia QED 75 VA J-BOX Power Supply)	QSPS-J-1-50 (Sivoia QS J-Box Single Power Supply)
SVQ-PSJ-1-50 (Sivoia QED J-Box Single Power Supply)	
SVQ-10PNL (Sivoia QED 10 Output Power Panel)	QSPS-P1-10-60 (Sivoia QS 10 Output Smart Panel)

Sivoia QS and Sivoia QS Wireless Keypad Upgrade Chart

If you want to replace a keypad in the this type of system:	Replace with a keypad that has a model number beginning with: *	Replacement keypad can control:
Standalone QS Wired Shading System	QSWS2-	Standalone Sivoia QS Shades and All Grafik Eye QS and Quantum devices including Sivoia QS shades
Grafik Eye QS		
Quantum System		
Standalone QS Wireless Shading System	QSWK4-	Standalone Sivoia QS Wireless Shades
RadioRA 2 system	RRD-	All RadioRA 2 devices including Sivoia QS Wireless Shades
HWQS Wired System	HQWA- (Architectural Style)	All HWQS devices including Sivoia QS and Sivoia QS Wireless Shades
	HQWD- (Designer Style)	
HWQS Wireless System	HQRD-	All HWQS devices including Sivoia QS and Sivoia QS Wireless Shades

(*) These are the models specified in typical applications. Other options are available. For a complete list of compatible products, please contact Lutron.

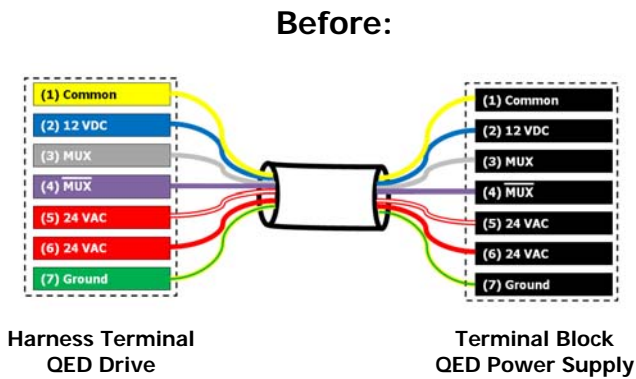
Wiring

Important note: NEVER use a QED power supply to power a QS Drive or Keypad

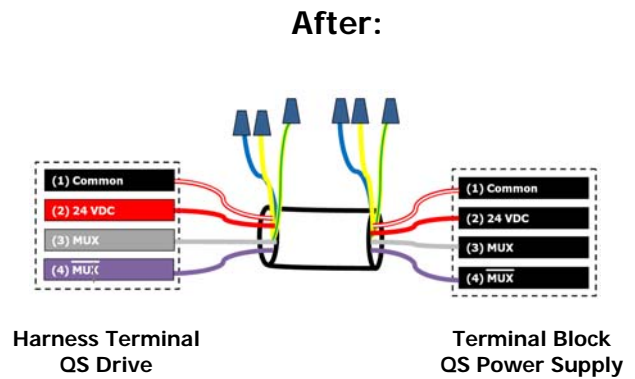
Three rewiring options are shown below. Choose the option(s) that apply to your conversion scenario.

1. Replacing a QED Drive and QED Power Supply with a QS Drive and QS Power Supply:

A. Remove the QED Drive and QED Power Supply

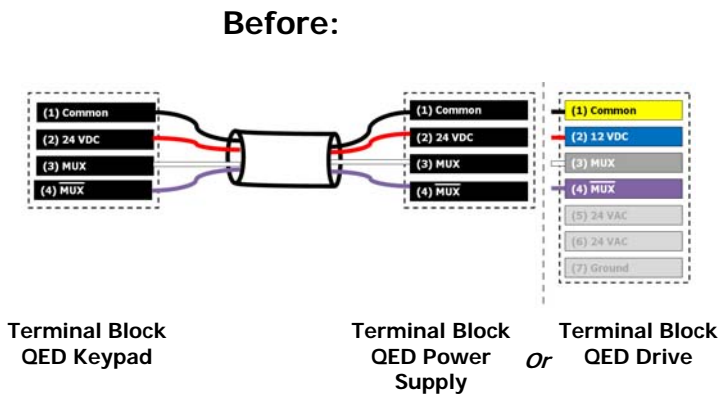


B. Replace with a QS Drive and QS Power Supply and cap off all unused wires

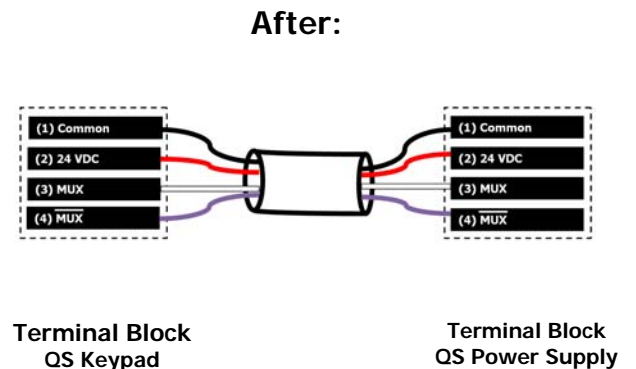


2. Replacing a QED Keypad and a QED Power Supply with a QS Wired Keypad and a QS Power Supply:

A. Remove the QED Keypad and QED Power Supply (keypad may have originally been wired directly to the QED drive instead)



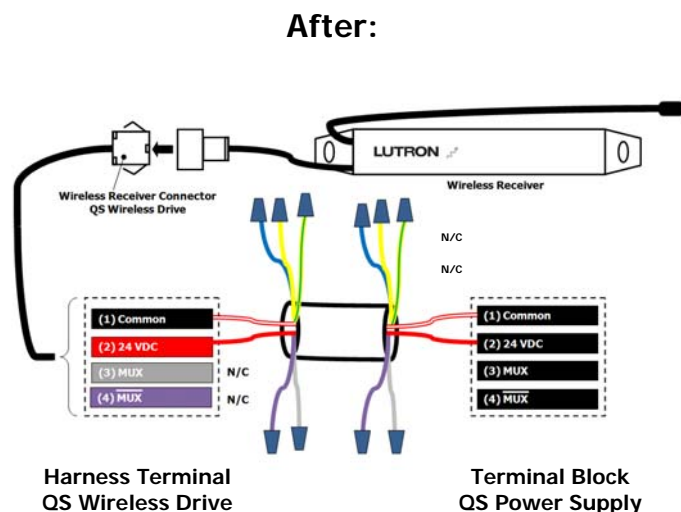
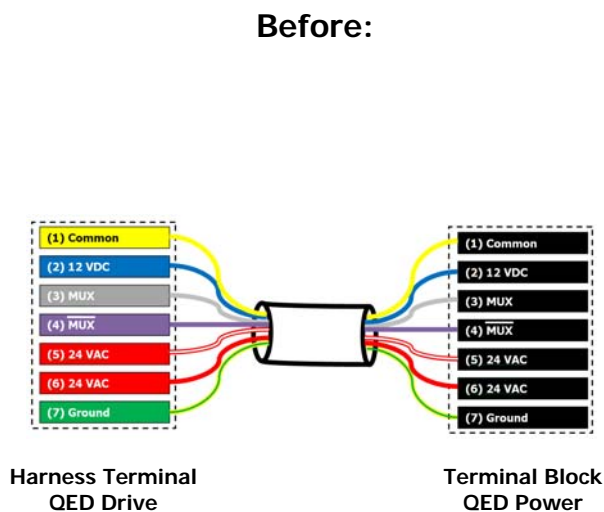
B. Replace with a QS Keypad and QS Power Supply



3. Replacing a QED Drive and a QED Power Supply with a QS Wireless Drive and a QS Power Supply:

A. Remove the QED Drive and QED Power Supply

B. Replace with a QS Drive, QS Wireless Receiver and QS Power Supply, and cap off all unused wires. Plug the wireless receiver into the connector on the QS Wireless Drive.



Additional Information

Refer to the following document for wiring guidelines:

<http://www.lutron.com/TechnicalDocumentLibrary/QS Power Supply Wiring and Power Draw Unit Guidelines.pdf>

Website

www.lutron.com/shadingsolutions

Contact Lutron

Lutron Electronics Co, Inc.
7200 Suter Road
Coopersburg, PA 18036-1299
U.S.A.

Customer Service/Quotes: 1-888-LUTRON1
Email: shadinginfo@lutron.com